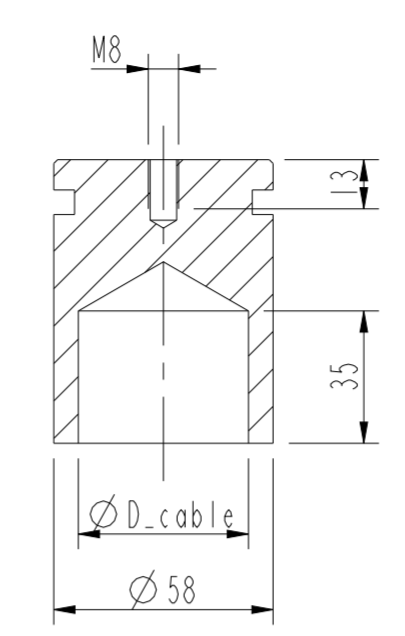
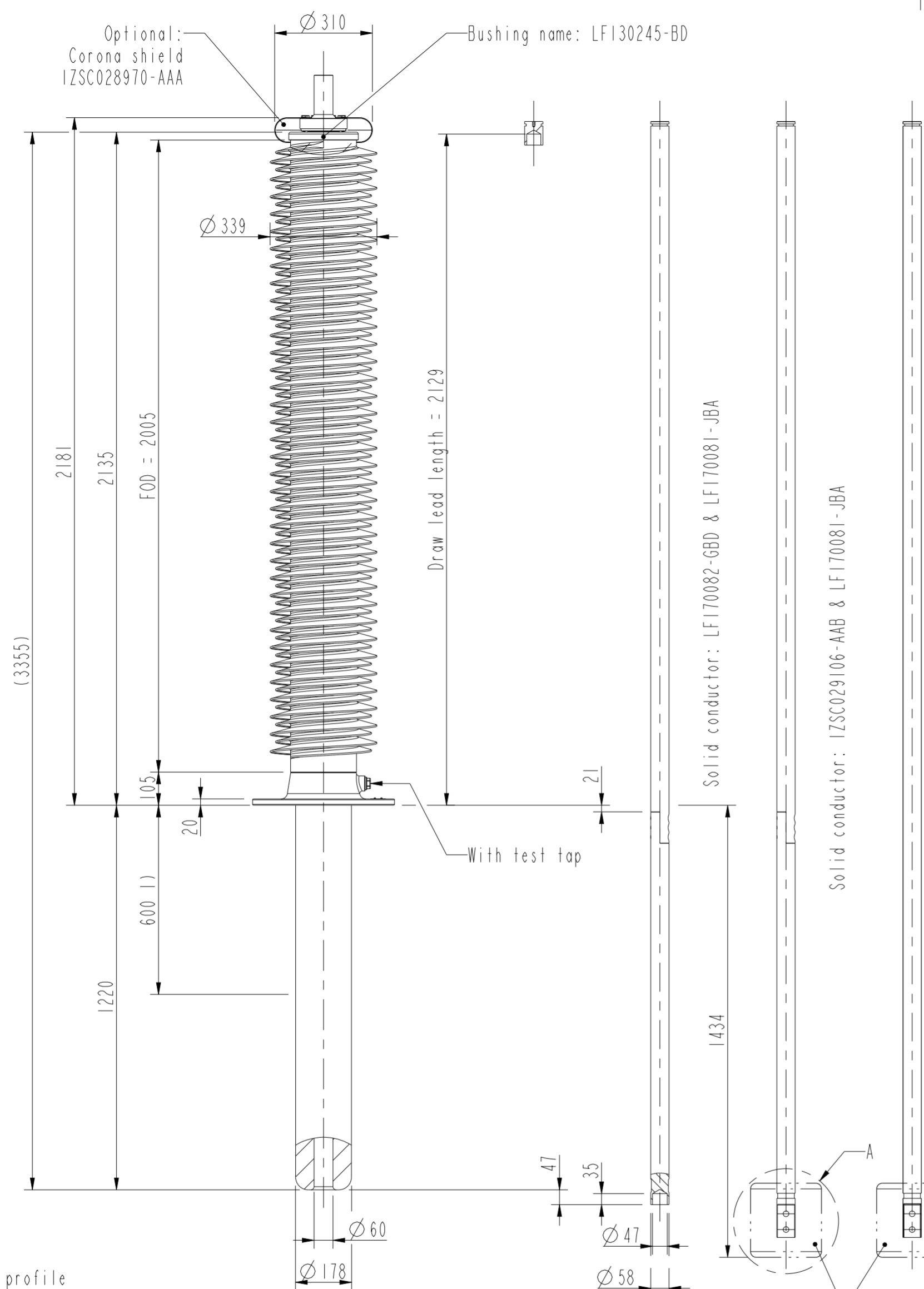


This document is issued by means of a computerized system. The digitally stored original is electronically approved. The approved document has a date entered in the "Approved"-field. A manual signature is not required.

Revision: Revision text  
C Rated current updated.



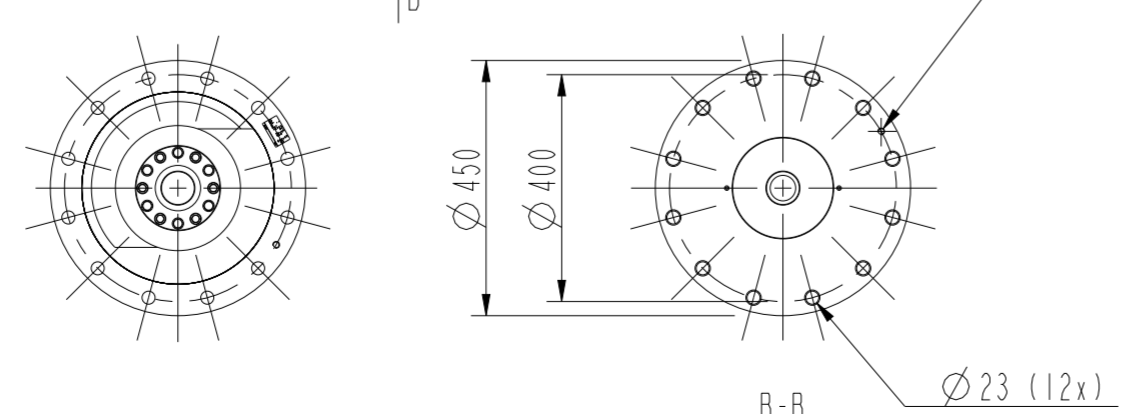
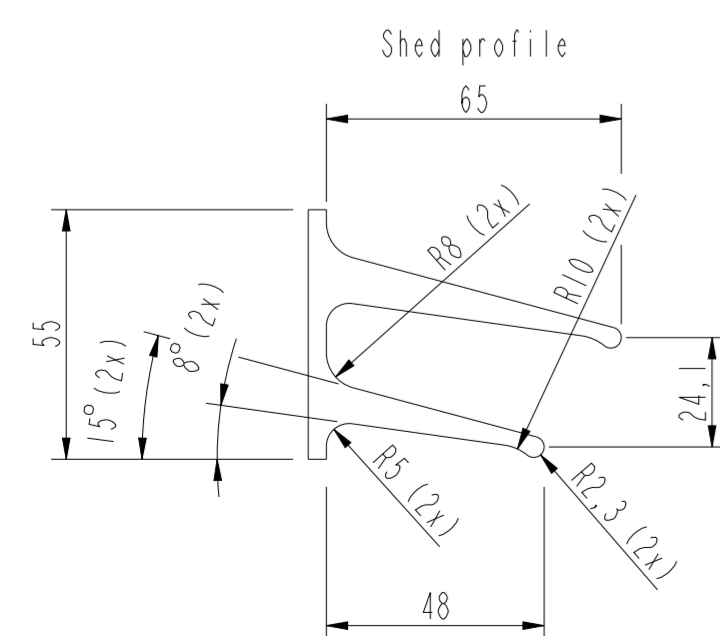
Inner terminal	
Catalog No	D_CABLE
LF170080-BA	5
LF170080-BB	30
LF170080-BC	45

Solid conductor, upper, Cu	
Catalogue No	MASS
LF170081-JBA	52,5

Solid conductor, lower, Cu	
Catalog No	MASS
LF170082-GBD	27,3

Solid conductor, lower, Cu	
Catalog No	MASS
IZSC029106-AAB	29,0

Solid conductor, Al	
Catalog No	MASS
IZSC028820-AAB	24,9



**ABB** Ludvika, Sweden

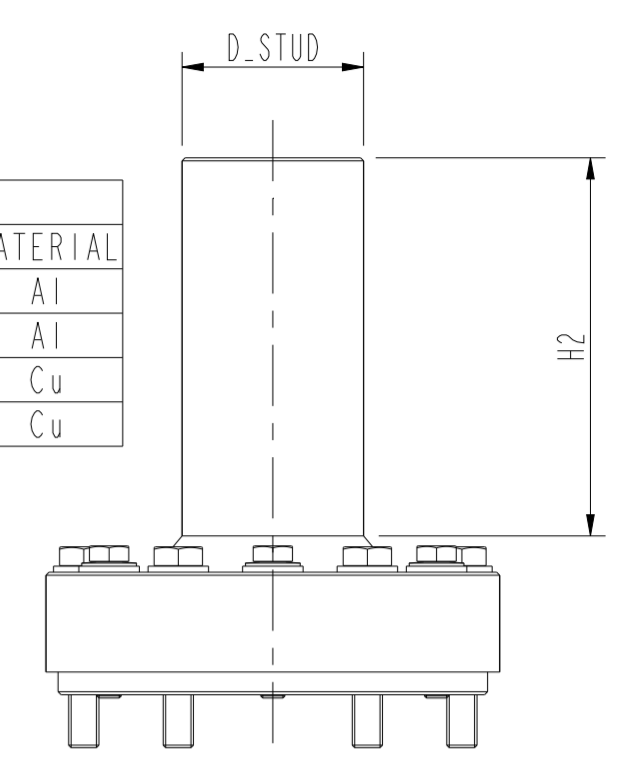
GSA 245-OA 1600/0.6 LF130245-BD  
No.

Um 245 kV Ir 1600 A 50/60 Hz  
BL 1050 kV SL kV AC 506 kV

M 191 kg L 1220 mm ∠ 0-90°

C1 pF Tan δ x  
C2 pF Tan δ x

Outer terminal				
Catalog No	D_STUD	H2	MASS	MATERIAL
LF170079-BA	60	125	3	Al
LF170079-BB	30	125	2	Al
LF170079-BC	60	125	8	Cu
LF170079-BD	30	125	5	Cu



Denominations according to CLC/TS 50458:2006  
245/1050/1600 MPV-E600  
245/1050/1250 MPU-E600

ELECTRICAL DATA acc. to IEC 60137			
Ratings	Rated voltage	245	kV
	Rated phase-to-earth voltage	146	kV
	Max. phase to earth voltage, temporary	245	kV
	Max. current with Cu-conductor	1600	A
	Max. current with Al-conductor	1600	A
	Max. current with stranded cable 740 mm <sup>2</sup>	1250	A
	Dry lightning impulse	1050	kV
	Dry switching impulse	850	kV
	Wet switching impulse	750	kV
	Wet power frequency	460	kV
Routine test	Dry power frequency	506	kV
Capacitance	Nominal capacitance	536	pF

GENERAL DATA			
Silicone rubber insulator	Creepage distance	9214	mm
	Protected creepage distance	4325	mm
	Color	Light gray	ANSI 70
Mass	Bushing	191	kg
Cantilever load	Cantilever test load, according to IEC 60137	5000	N
	Max. cantilever operating load, bushing	2500	N
Ambient air temperature according to IEC 60137		-40 to +40	°C
Mounting and service instructions		2750515-115	

ELECTRICAL DATA acc. to ANSI C57.19.00			
Ratings	Insulation class	230	kV
	Rated max. line to ground voltage	146	kV
	Max. current with Cu-conductor	1600	A
	Max. current with Al-conductor	1600	A
	Max. current with stranded cable 740 mm <sup>2</sup>	1250	A

Dim. requirements acc. to C57.19.1 not fulfilled

Approved	Document Kind	Based on doc. id	Work order id	Project id
2020-06-24	Outline Drawing			

Company	Title, Supplementary title
ABB Technology Ltd	Dimension drawing GSA 245-OA 1600/0.6
Responsible Department	Mättskiss GSA 245-OA 1600/0.6

Document id	Status	Revision	Iteration	Sheet
2751362-GBD	Released	C		1/1

1) Maximum length of wall and CT.  
2) Shield LF170046-BL required.