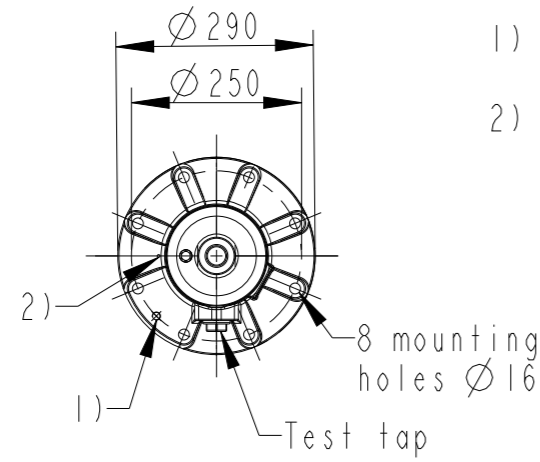
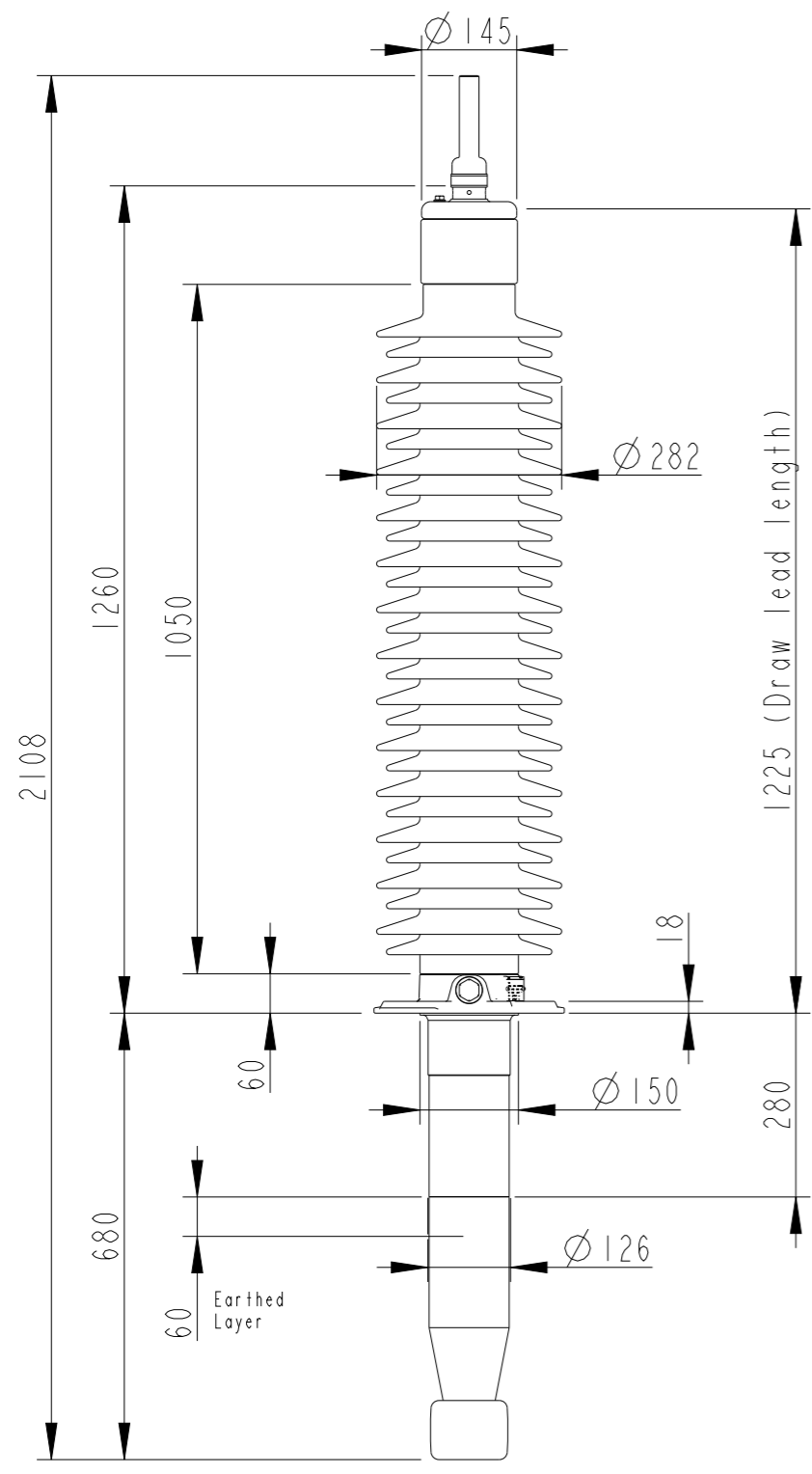


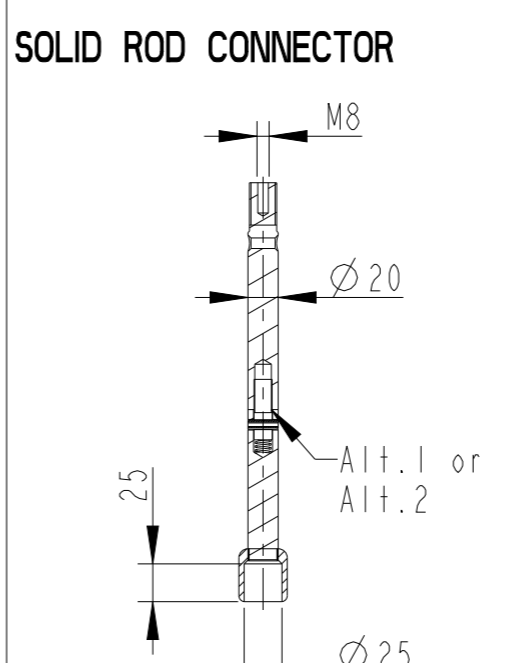
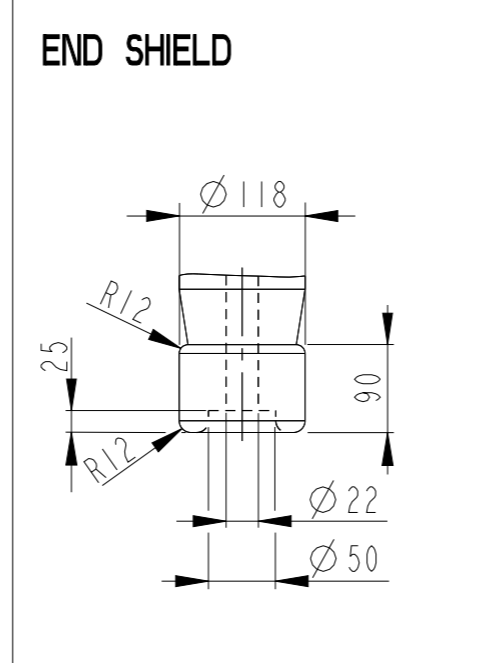
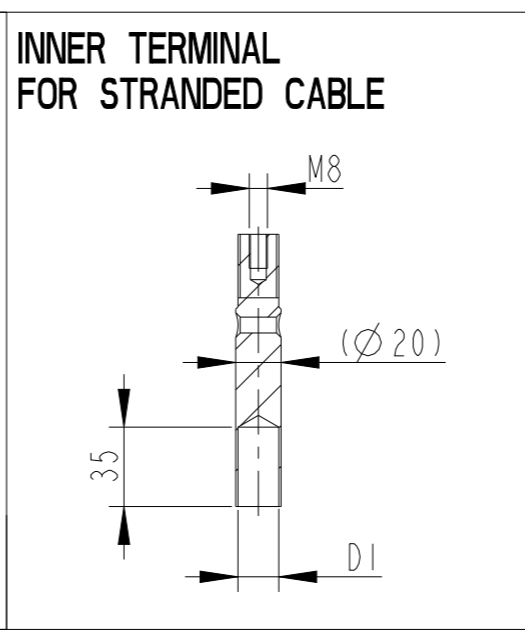
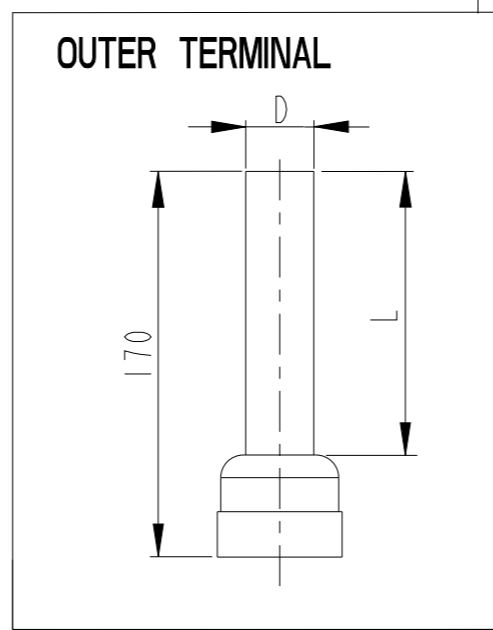
This document is issued by means of a computerized system. The digitally stored original is electronically approved. The approved document has a date entered in the "Approved"-field. A manual signature is not required.

We reserve all rights in this document and in the information contained therein. Reproduction, use or disclosure to third parties without express authority is strictly forbidden.

Revision	Revision text
E	Phase to Ground Voltage changed from 123 to 98kV



- 1) M12 (For Earthing)
- 2)  $\varnothing 4$  Oil connection hole (Only valid for horizontal mounting)



The solid rod can be divided either:  
 Alt.1: 20mm below the bushing flange or  
 Alt.2: 20mm below the upper end of the bottom porcelain

### Bushing Data:

Rated Voltage	170	kV
Phase to Ground Voltage	$\Delta$ 98	kV
Dry Lightning Impulse 1,2/50 $\mu$ s	550	kV
Wet power frequency AC	230	kV
Routine test Imin dry 50Hz	260	kV
Rated Current	800	A
Creepage Distance	3890 $\pm$ 100	mm
Creepage Distance Protected	1530	mm
Mass	87	kg

### Ordering Data:

<b>BUSHING</b>	COLOUR	AIR INSULATOR
LF123063-K	BROWN	
LF123063-L	LIGHT GREY	
LF123063-HK	BROWN	Horizontal 45°-90°
LF123063-HL	LIGHT GREY	Horizontal 45°-90°
<b>OUTER TERMINAL</b>	Material	D L
LF 170 002-A	Cu alloy, $\varnothing 30$ , 125	
LF 170 001-A	Al, $\varnothing 30$ , 125	
OTHER TYPES ON REQUEST		
<b>INNER TERMINAL FOR STRANDED CABLE</b>		
<b>For brazing</b>	Conductor area	D1
LF 170 011-S	up to 150mm <sup>2</sup>	$\varnothing 18$
LF 170 011-U	Undrilled with pilot hole	$\varnothing 5$
<b>For crimping or brazing</b>	Conductor area	D1
LF 170 010-M	50mm <sup>2</sup>	$\varnothing 11$
LF 170 010-N	70mm <sup>2</sup>	$\varnothing 13$
LF 170 010-L	95mm <sup>2</sup>	$\varnothing 15$
<b>SOLID ROD CONNECTOR</b>	Material	
LF 170 019 -X for Alt.1	Cu	
LF 170 019 -U for Alt.2	Cu	

ABB		Ludvika, Sweden	
No.	Um	kV Ir	A 50/60 Hz
BIL	M	kV SIL	kV AC
C1	C2	kg L	mm $\checkmark$
		pF Tan $\delta$	x
		pF Tan $\delta$	x

Created by Jacob Stefansson	Reviewed by Joakim Persson	Approved by Natalia Gutman
Approved 2019-11-06	Document Kind Outline Drawing	Based on doc.id Work order id Project id
Company ABB AB	Title, Supplementary title GOB 550-800-0.3 WITHOUT OIL LEVEL GAUGE STD END SHIELD	
Responsible Department SEABB-9AAE300824	Document id 2751369-147	Status Released
<b>ABB</b>	Revision E	Iteration 1/1