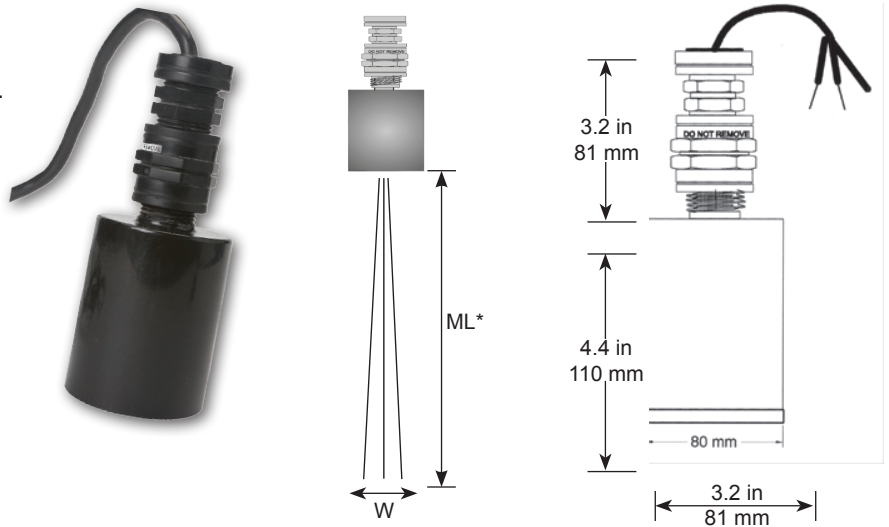


# KSONIK K10C, K10T3C, K10T4C, K20C, K20HC, K60C Ultrasonic Level Transmitter

## Ultrasonic level transmitter transducers & accessories K-TEK Products

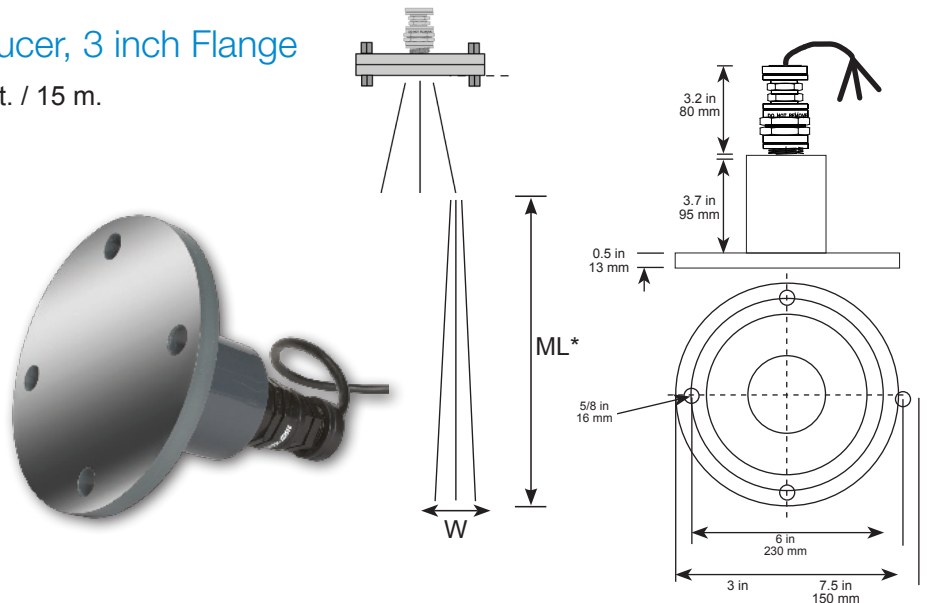
### K10C General Purpose

Maximum Measuring Length (ML) 50 ft.  
/ 15 m.



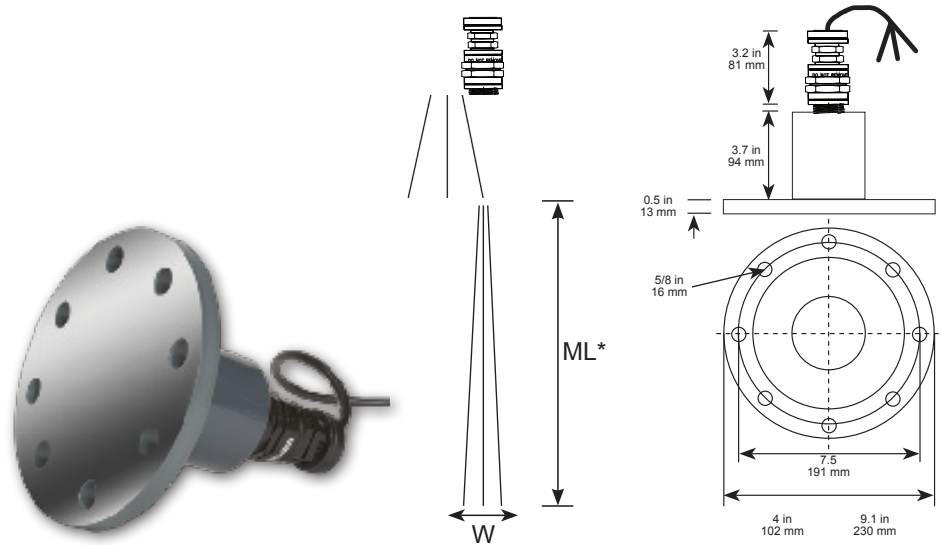
### K10T3C PTFE Lined Transducer, 3 inch Flange

Maximum Measuring Length (ML) 50 ft. / 15 m.



## K10T4C PTFE Lined Transducer, 4 inch Flange

Maximum Measuring Length (ML) 50 ft. / 15 m.



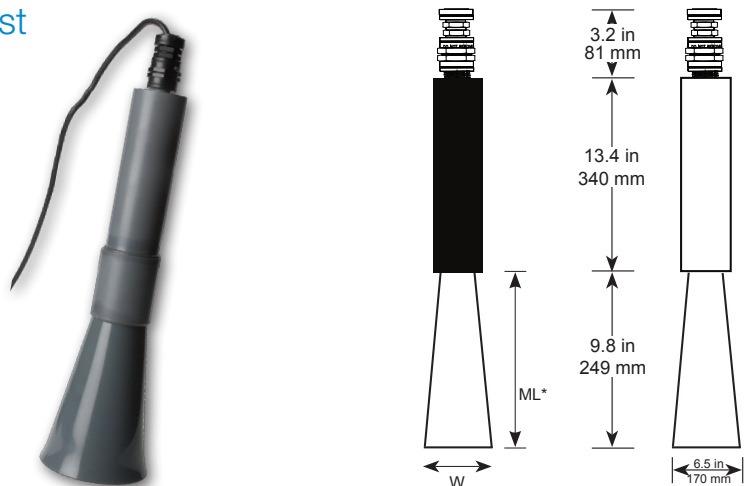
## K20C Intermediate Range

Maximum Measuring Length (ML) 100 ft. / 30 m.



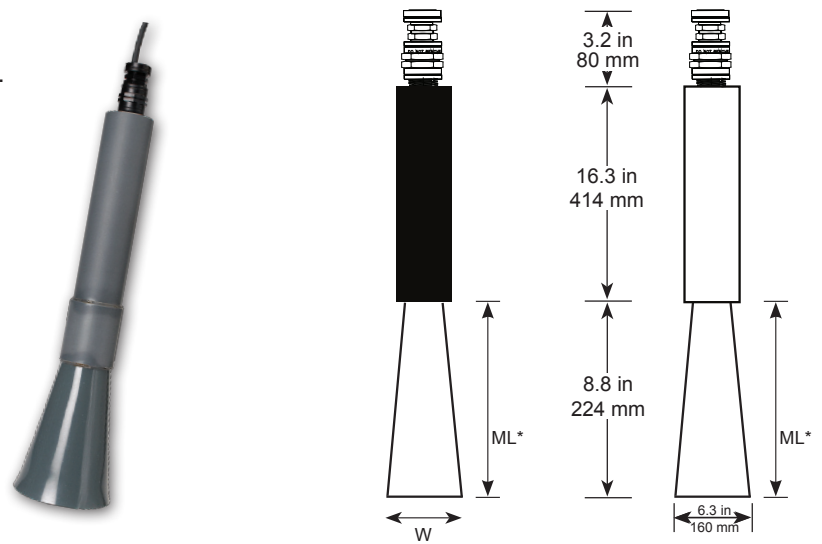
## K20HC Intermediate Range with Dust

Maximum Measuring Length (ML) 100 ft. / 30 m.



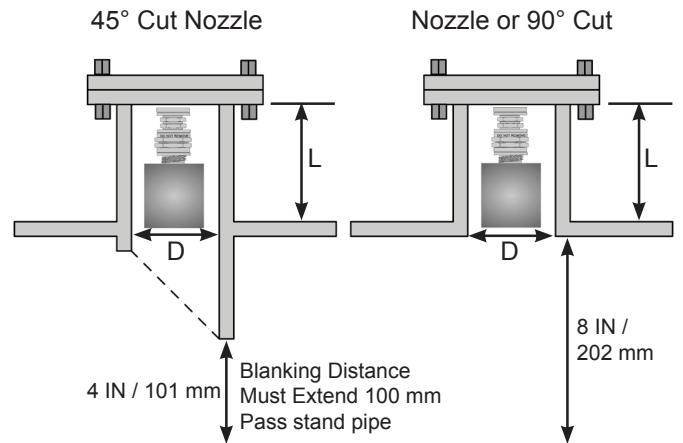
# K60C Long Range

Maximum Measuring Length (ML) 196 ft. / 60 m.



## Nozzle Installation

The KSONIK Transducer must be installed at a height so that the blanking distance is not interfered with, even at the maximum fill level. A pipe nozzle can be used if you cannot obtain the blanking distance in any other way or if a nozzle is pre-existing on a tank structure. The interior of the nozzle must be smooth with no edges, welded joints or burrs on the inside of the tank side nozzle end. Best results are achieved with a 45° cut nozzle. The Transducer may not function correctly if the blanking distance is not above the maximum level measured.



D (in. / mm)	Nozzle or 90° Cut - Maximum Length (L)		
	K10C	K20C	K60C
3 in. / 80 mm	8 in. / 200 mm	not applicable	not applicable
4 in. / 100 mm	10 in. / 250 mm	26 in. / 650 mm	not applicable
6 in. / 150 mm	15 in. / 380 mm	60 in. / 1500 mm	not applicable
8 in. / 200 mm	15 in. / 380 mm	72 in. / 1800 mm	consult factory
10 in. / 250 mm	24 in. / 600 mm	92 in. / 2300 mm	consult factory

D (in. / mm)	45° Cut Nozzle - Maximum Length (L)		
	K10C	K20C	K60C
3 in. / 80 mm	19 in. / 490 mm	not applicable	not applicable
4 in. / 100 mm	22 in. / 550 mm	30 in. / 750 mm	not applicable
6 in. / 150 mm	60 in. / 1500 mm	76 in. / 1900 mm	not applicable
8 in. / 200 mm	80 in. / 2000 mm	100 in. / 2500 mm	consult factory
10 in. / 250 mm	100 in. / 2500 mm	124 in. / 3100 mm	consult factory

Min. Transducer Material and Ratings

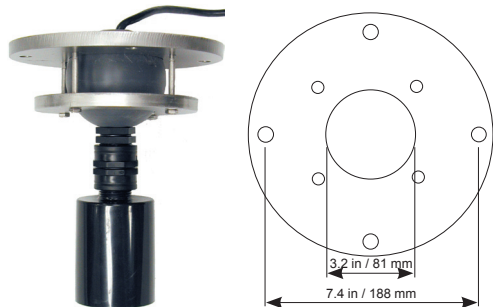
Trans	Min Bkg	Frq. KHz	Beam Angle	Facing Material	Body Material	IP Protection	Temp Range	Mounting
K10C	1 ft. / 0.3 m	44	3°	Polyurethane	PVC	IP68	-4 to 176°F -20 to 80°C	1 in. MNPT
K10T3C	1 ft. / 0.3 m	44	3°	PTFE	PVC	IP68	-4 to 176°F -20 to 80°C	in. MNPT
K10T4C	1 ft. / 0.3 m	44	3°	PTFE	PVC	IP68	-4 to 176°F -20 to 80°C	4 in. MNPT
K20C	3 ft. / 1 m	15.4	3°	Polyurethane Foam	PVC	IP62	-4 to 176°F -20 to 80°C	1 in. MNPT
K20HC	3 ft. / 1 m	15.4	3°	Polyurethane Foam	PVC	IP62	-4 to 176°F -20 to 80°C	1 in. MNPT
K60C	5 ft. / 1.5 m	12.5	3°	Polyurethane Foam	PVC	IP62	-4 to 176°F -20 to 80°C	1 in. MNPT

Transducer Description and Ranges

Trans	Description	KSONIK I		KSONIK III	
		Liquids	Solids	Liquids	Solids
K10C	General Purpose	50 ft. / 15 m	16 ft. / 5 m	50 ft. / 15 m	16 ft. / 5 m
K10T3C	PTFE Lined Transducer with flange	50 ft. / 15 m		50 ft. / 15 m	
K10T4C	PTFE Lined Transducer with flange	50 ft. / 15 m		50 ft. / 15 m	
K20C	Medium Range			100 ft. / 30 m	100 ft. / 30 m
K20HC	Medium Range with Dust			100 ft. / 30 m	100 ft. / 30 m
K60C	Long Range			195 ft. / 60 m	195 ft. / 60 m

AKIT - Aiming Kit (304SS)

It is recommended that an aiming kit be used when the transducer is used on a solids application. It allows positioning of the transducer to maximize the return signal.

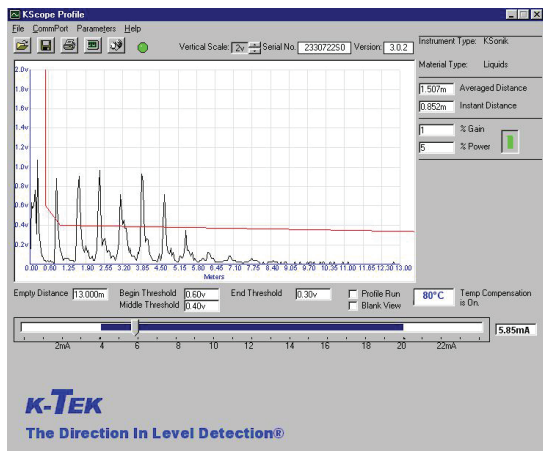


For more information, please contact:

**ABB US**  
 18321 Swamp Road  
 Prairieville, LA 70769 USA  
 Phone: +1 225 673 6100  
 Service: +1 225 677 5836  
 Fax: +1 225 673 2525  
 Service e-mail: [service@us.abb.com](mailto:service@us.abb.com)  
[www.abb.com/level](http://www.abb.com/level)

KSCOPE - KSONIK Scope Software

Multi-use Windows based software package. Allows programming and bin mapping. Can also help set up a KSONIK I or III in just a few minutes and is downloadable from the ABB website ([www.abb.com/level](http://www.abb.com/level)).



Note  
 We reserve the right to make technical changes or modify the contents of this document without prior notice. With regard to purchase orders, the agreed particulars shall prevail. ABB does not accept any responsibility whatsoever for potential errors or possible lack of information in this document.

We reserve all rights in this document and in the subject matter and illustrations contained therein. Any reproduction, disclosure to third parties or utilization of its contents - in whole or in parts - is forbidden without prior written consent of ABB.

Copyright© 2012 ABB  
 All rights reserved