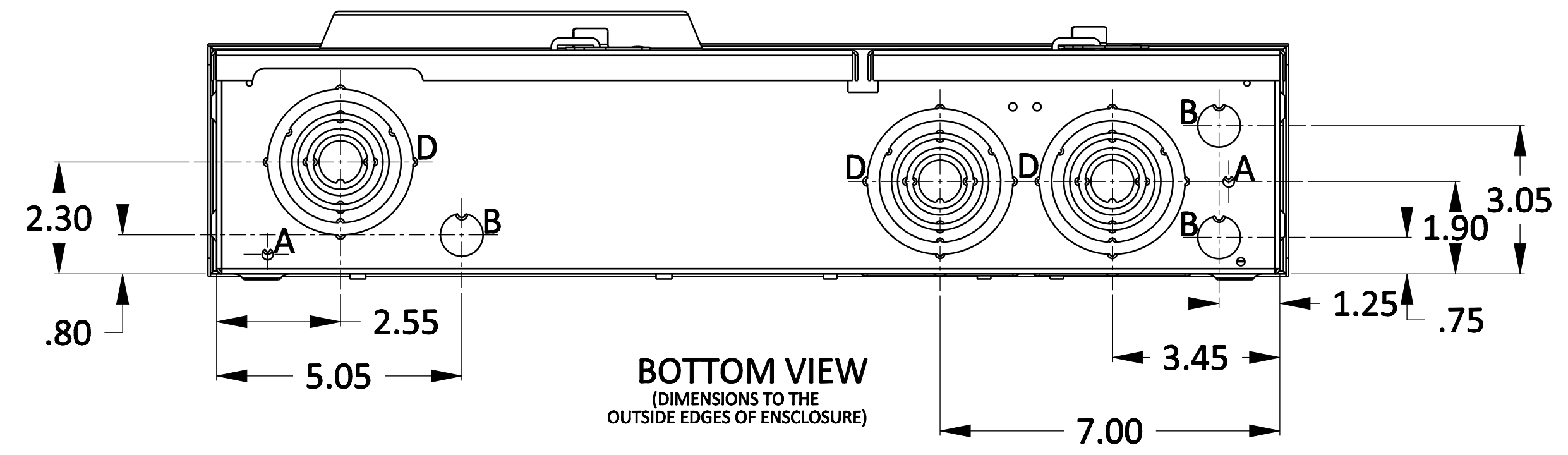
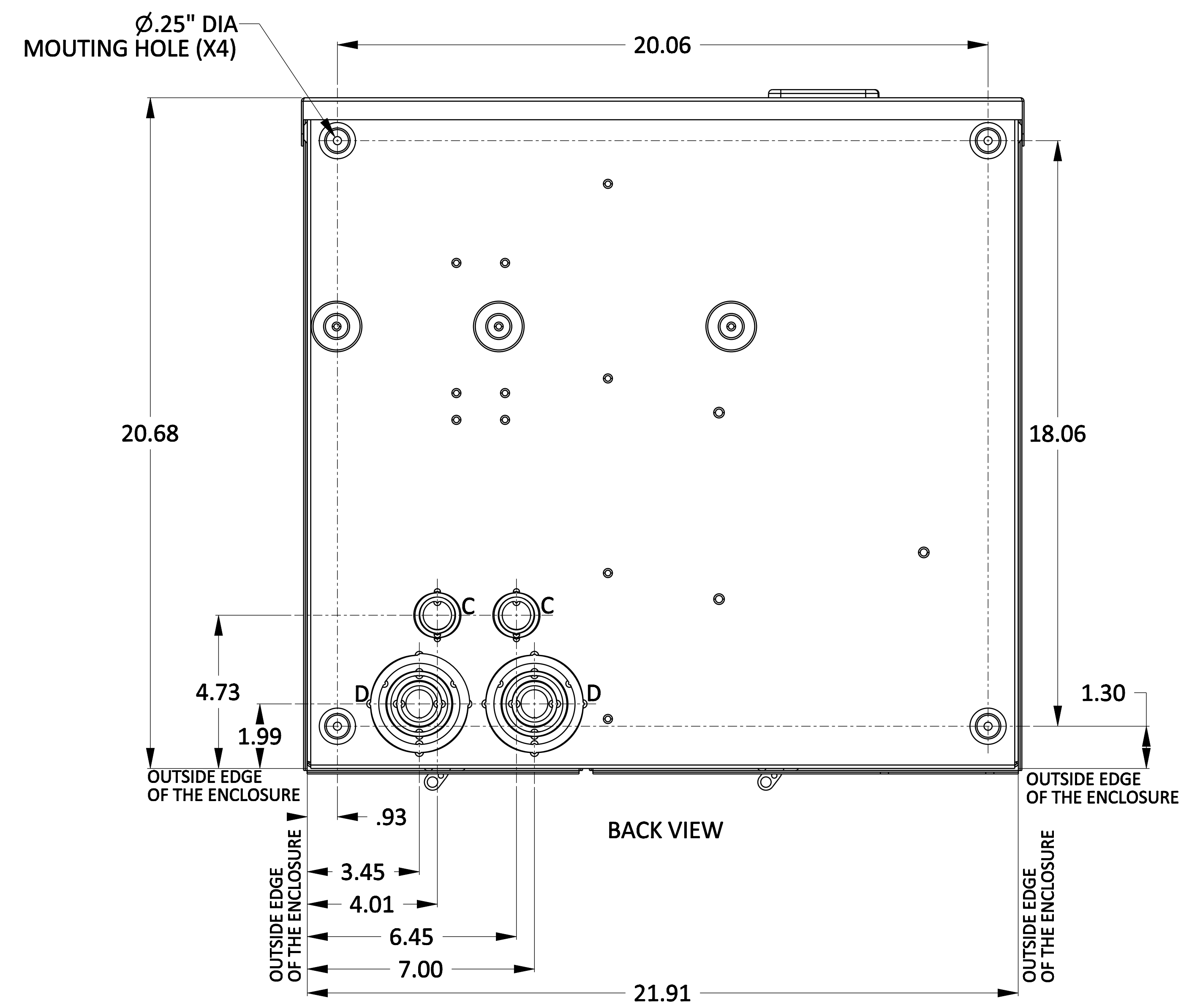
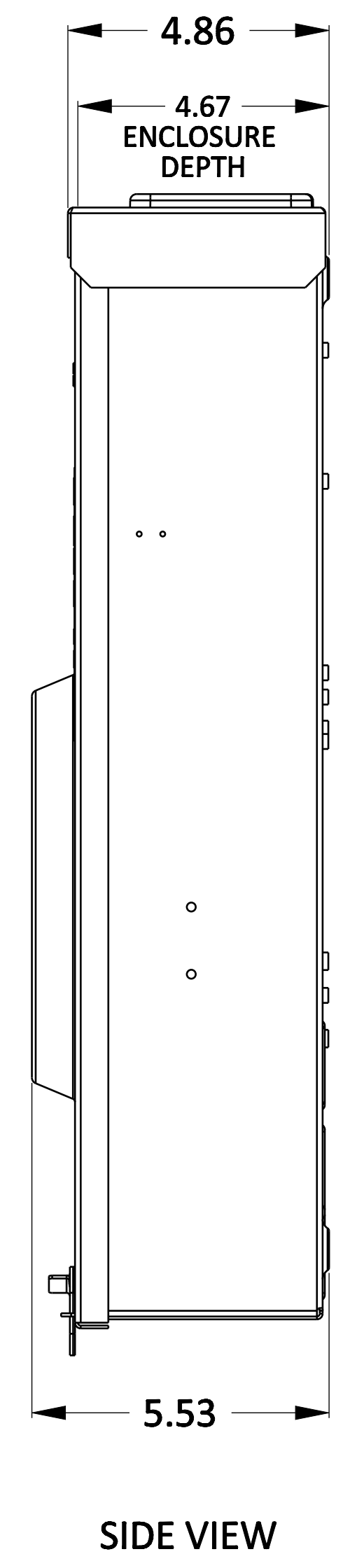
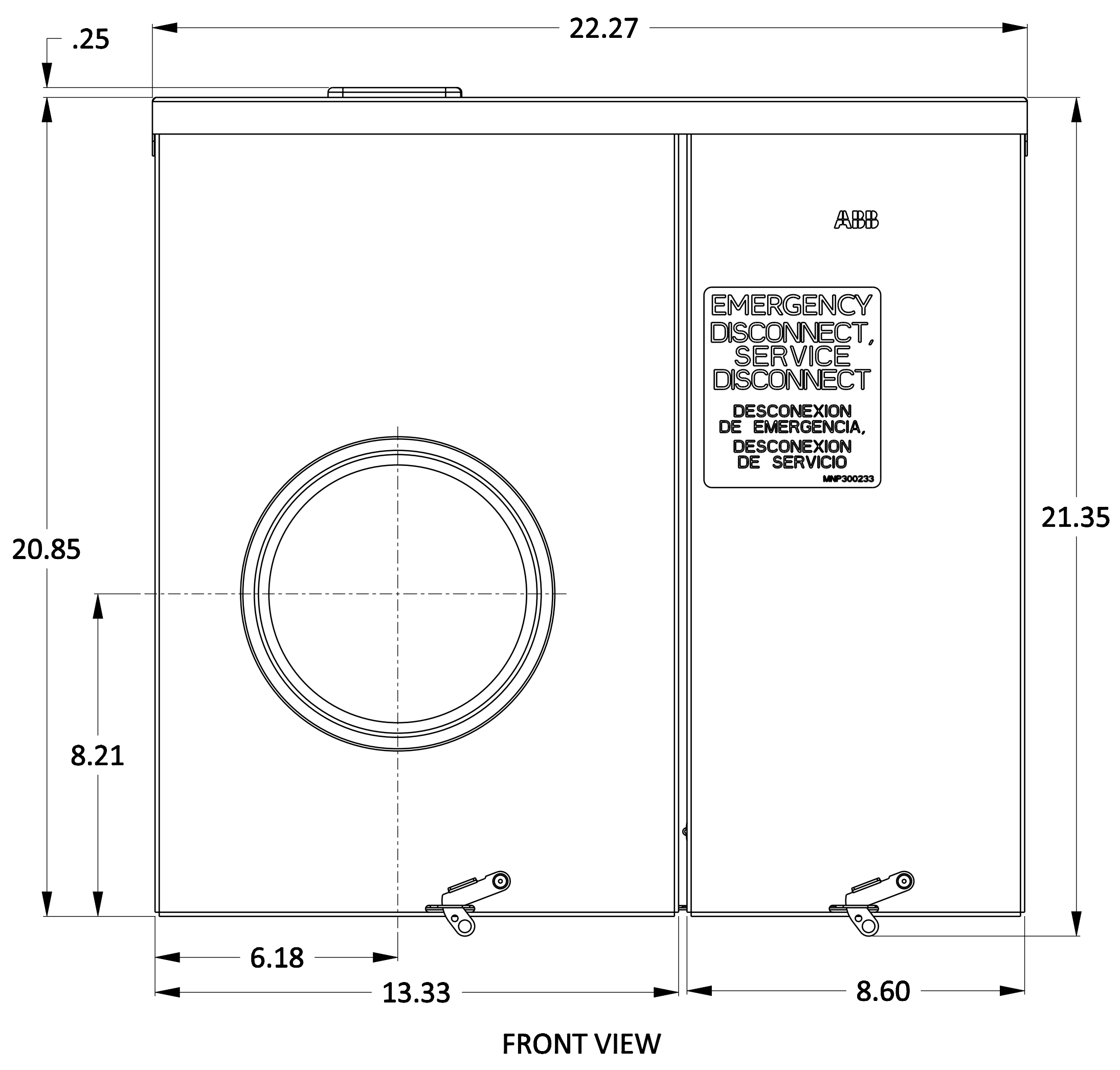
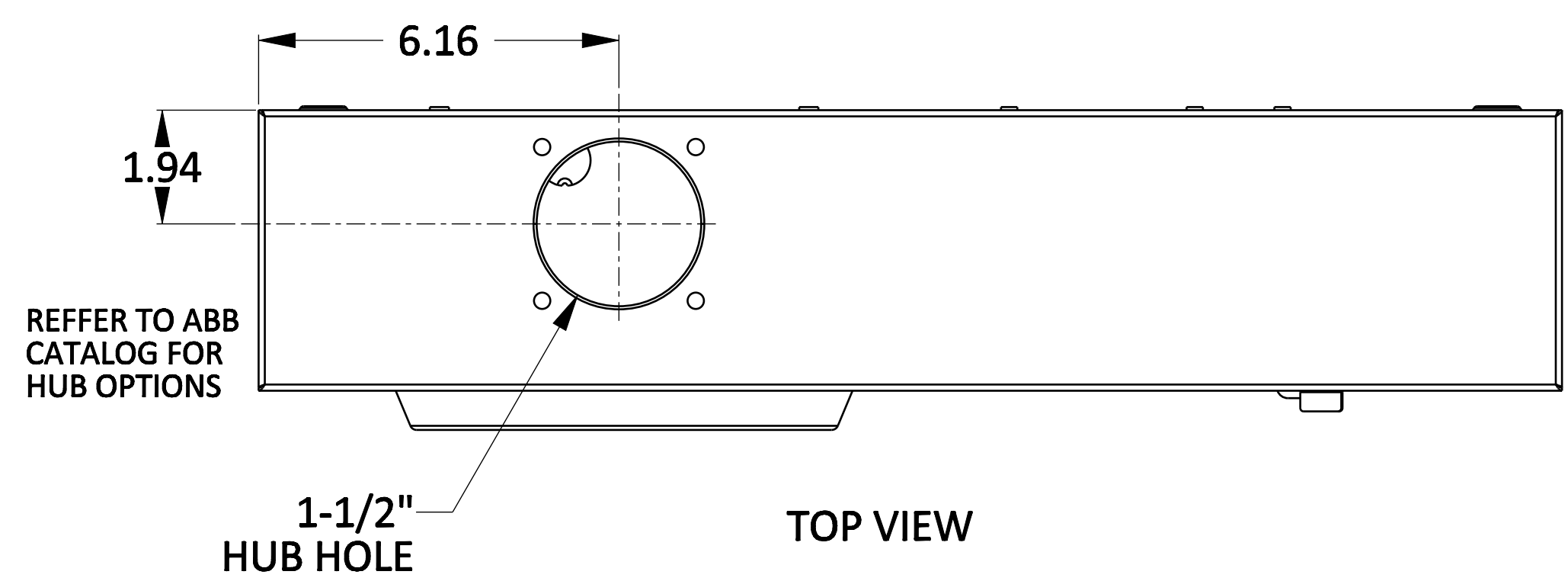


KNOCKOUT TABLE		
ITEM	DESCRIPTION	QTY
A	9/32 KO	2
B	1/2" KO	3
C	1/2 X 3/4 X 1 KO	2
D	1/2 X 3/4 X 1 X 1 1/4 X 1 1/2 X 2 X 2 1/2 KO	5



**ABB**

METER MAIN 100A XCEL

THIRD ANGLE	SHEET#	DWG NO.	DATE	REV
	1 of 2	PM10RLLCSM01_OD	2026	A

28 27 26 25 24 23 22 21

D

D

C

C

B

B

A

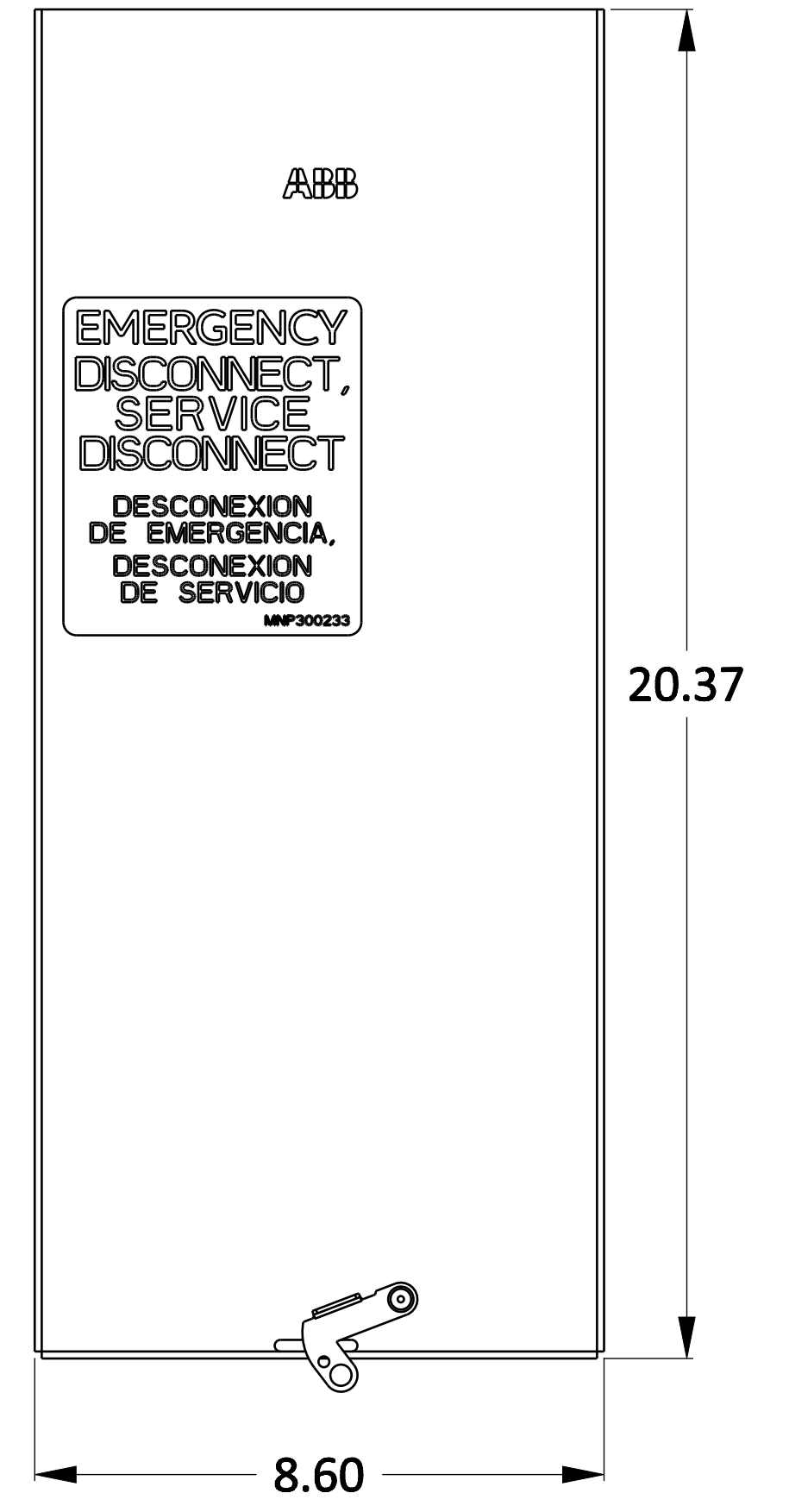
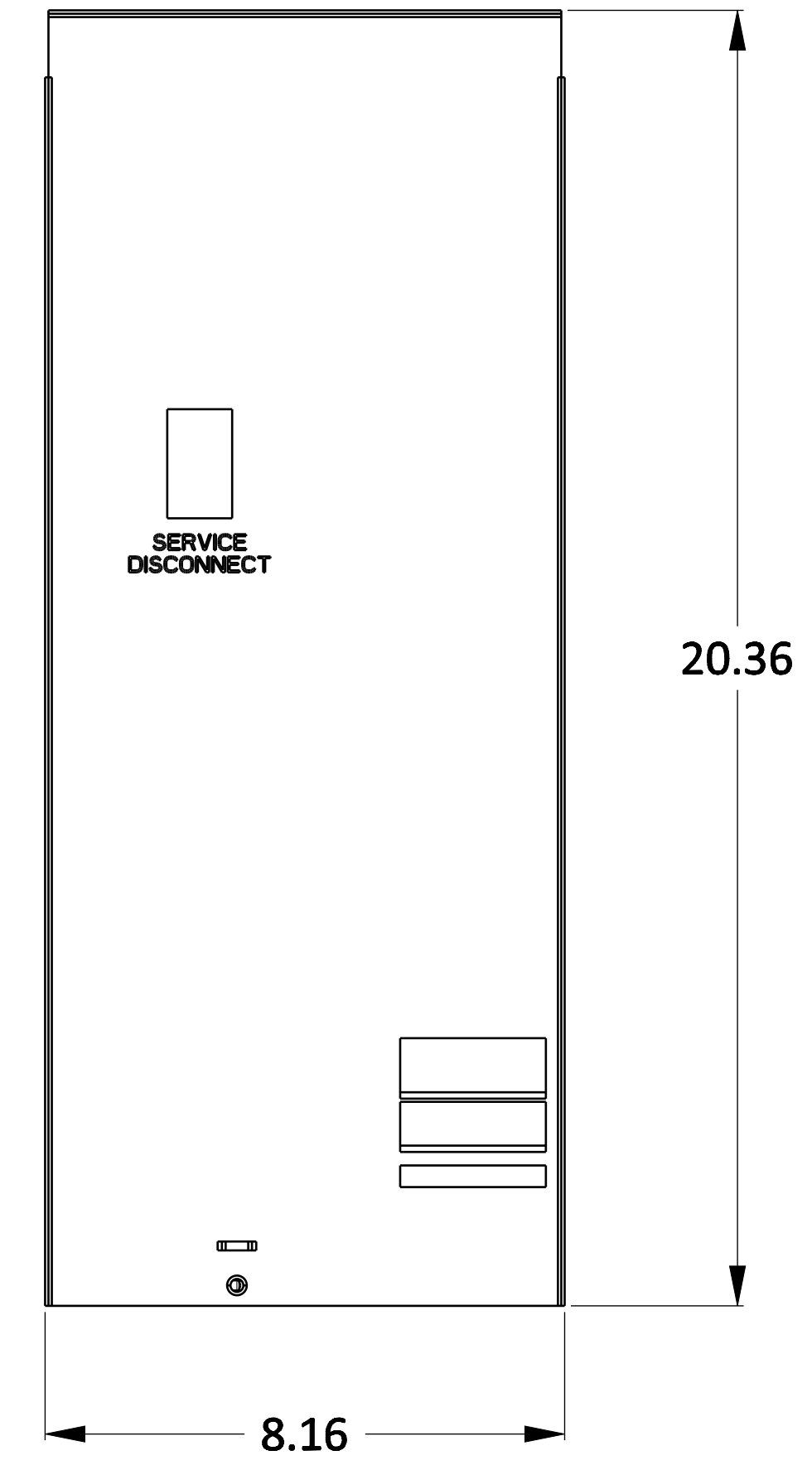
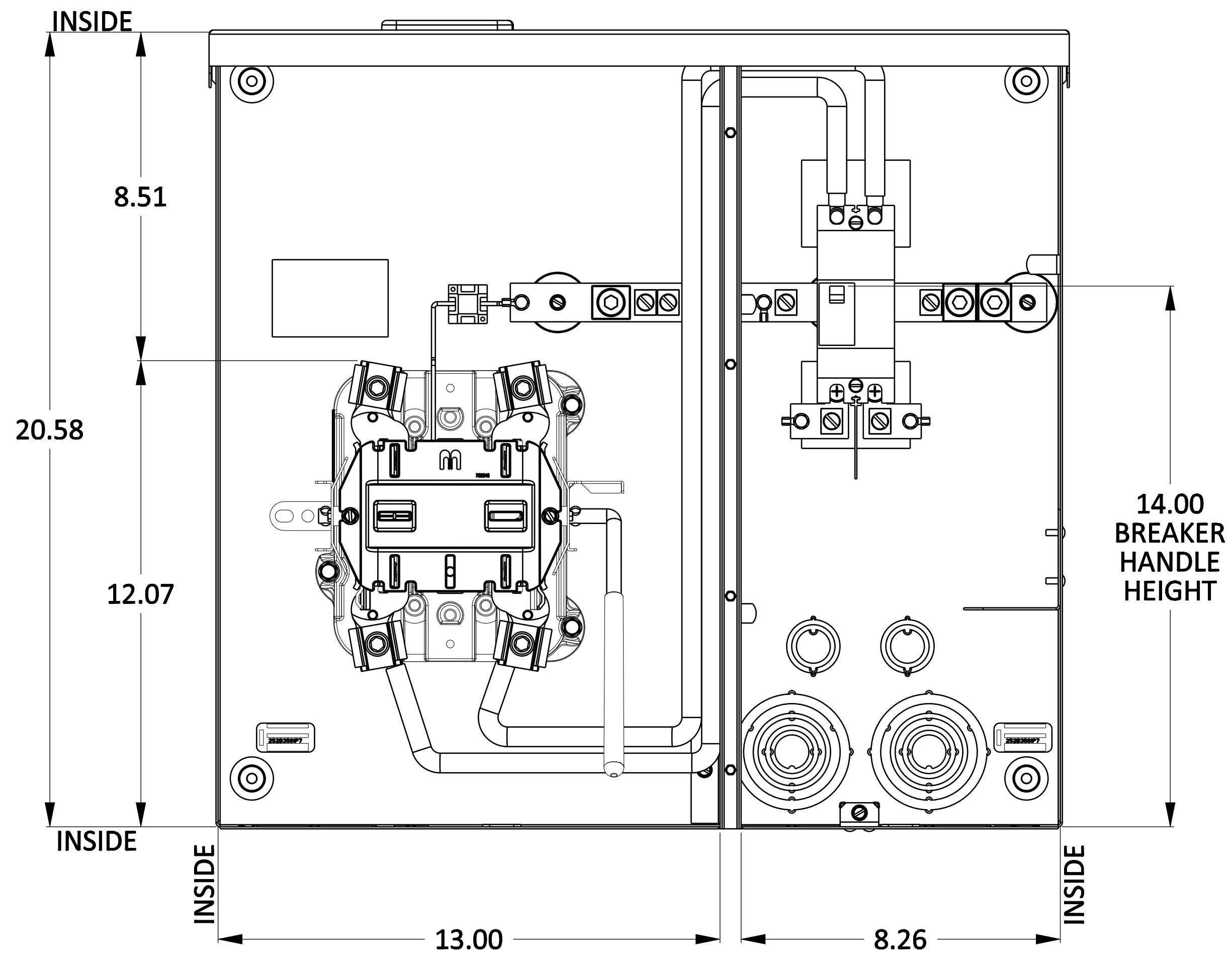
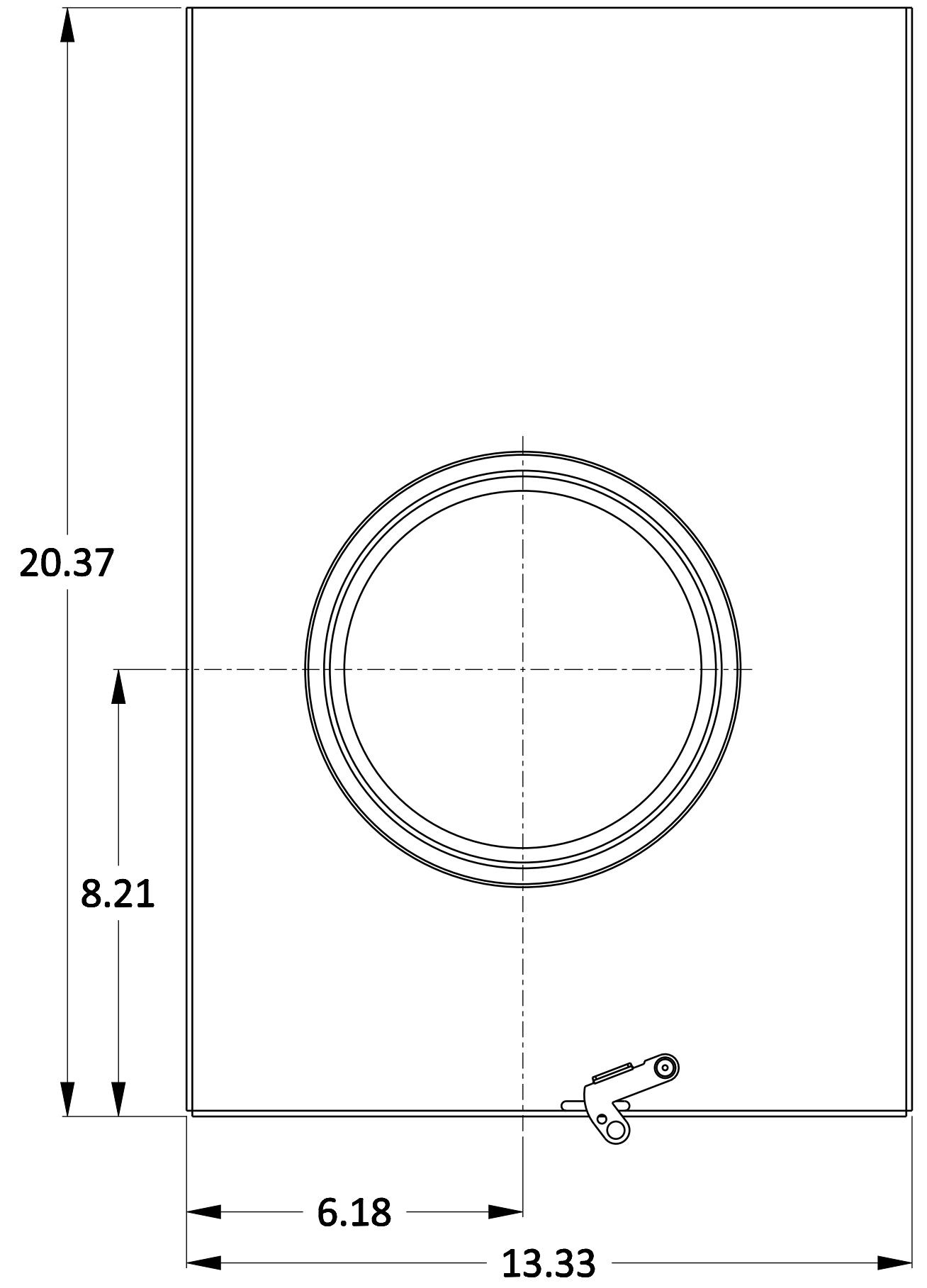
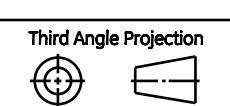


ABB PROPRIETARY AND CONFIDENTIAL INFORMATION  
 The information contained in this document has to be kept strictly confidential.  
 Any unauthorized use, reproduction, distribution or disclosure to third parties is strictly forbidden.  
 ABB reserves all rights. Copyright © 2024 ABB. All rights reserved.



<b>ABB</b>			
SIZE	NUMBER	REV	
D	PM10RLLCS	A	
SCALE	PRODUCT LINE	SHEET	
0.400	METER MAIN	2 of 2	

28 27 26 25 24 23 22 21