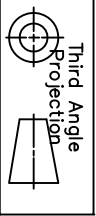


ABB PROPRIETARY AND CONFIDENTIAL INFORMATION

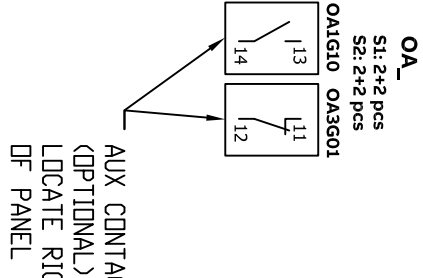
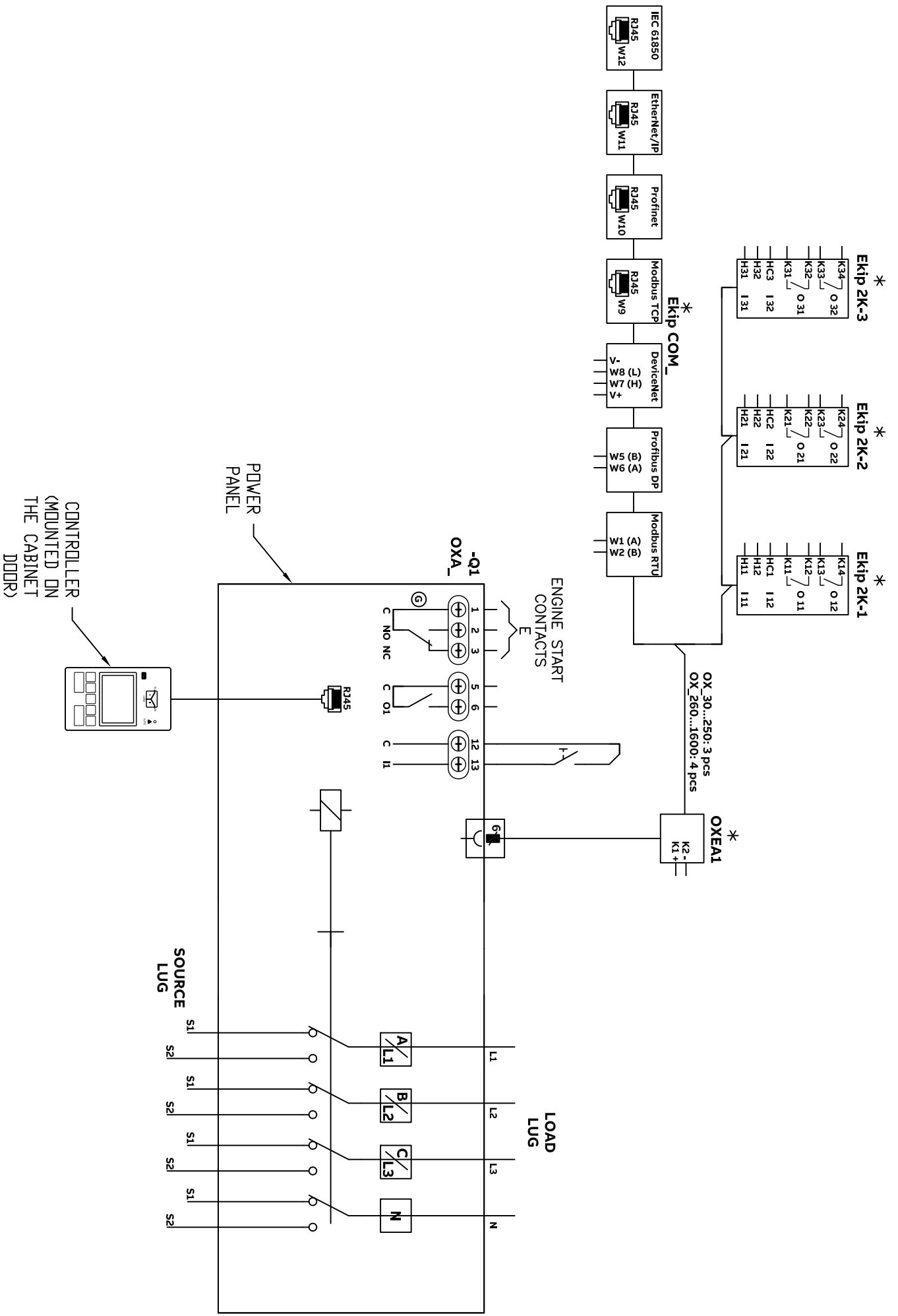
The information contained in the document has to be kept strictly confidential. Any unauthorized use, reproduction, distribution or disclosure to third parties is strictly forbidden. ABB reserves all rights regarding intellectual Property Rights. Copyright 2018 ABB. All rights reserved.

3D Model is the Master Document of Record

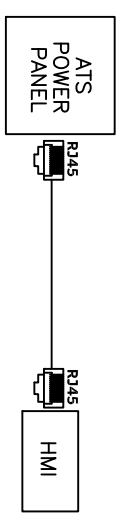
Article or Material Must Conform to REACH Procedure S1900000 Sec.14
 Article or Material Must Conform to ROHS Procedure S1900000 Sec.13
 Part Must Conform to S1900000 Sec.4 Toxicity Procedure
 Geometric Dimensioning & Tolerancing as per ASME Y14.5-2009



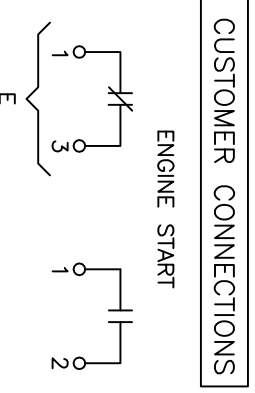
- NOTES:
1. ATS SHOWN IN SOURCE 1 POSITION WITH NO POWER AVAILABLE.
 2. REFER TO OPERATION AND MAINTENANCE MANUAL TO CONFIGURE THE OPTIONS.
 3. # OF N.O. CONTACTS ON POWER PANEL WILL BE DIFFERENT BASED ON THE SWITCH AMPERAGE. REVIEW THE PRODUCT BROCHURE FOR THE DETAILS.



INTERCONNECT PLUG DIAGRAM



CONTACT	RATING
E	5 AMP @ 240 VAC 5 AMP @ 30 VDC
OA1G10 (N.O.)	10 AMP @ 125, 250 VAC
OA3G01 (N.C.)	10 AMP @ 125, 250 VAC
Ekip Module (2K-1, 2, 3)	4 AMP @ 240 VAC 2 AMP @ 30 VDC



DRAWING FILE 77A-2000		MODEL FILE 77A-2000	
DATE MODIFIED 27-Feb-19 07:54:08 AM		DESIGNED BY	
CN# CN-C067078		APPROVED BY	
MATERIAL SPECIFICATION UNASSIGNED		FINISH SPECIFICATION	
MATERIAL DESCRIPTION		---	
FINISH DESCRIPTION		---	
TITLE OPEN TRANSITION ATS SCHEMATIC FOR 30-1200A ZTG PRODUCT		UNITS in	LOCAL TITLE
SCALE 1:1		SIZE B	ROOT NUMBER 77A-2000
PRODUCT LINE ZTG		REV 1	RELEASE STATE RELEASED
		SHEET 1	of 1



LEGEND	NOTES
* OPTIONAL	

Calculated for:	
VOLUME	0.000 in ³
MASS	0.000 lbm
UNLESS OTHERWISE SPECIFIED	
TOLERANCE ON:	1 PL. DECIMALS ± 0.1 2 PL. DECIMALS ± 0.02 3 PL. DECIMALS ± 0.005 ANGLES ± 1.0