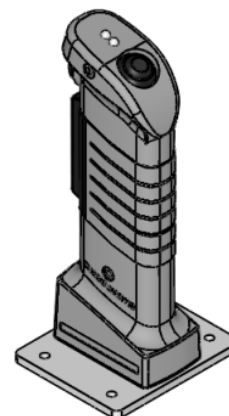


PRODUCT SHEET

# JSD-HD4-3A0806

2TLA920091R0000

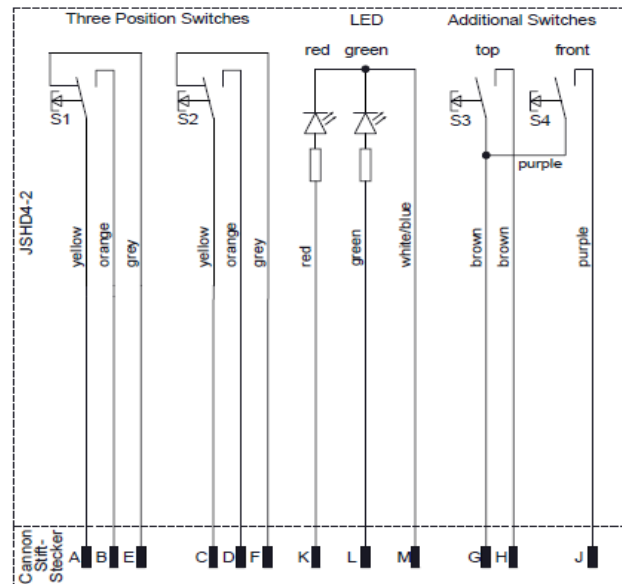
3-position enabling device,  
with 2 additional buttons and LEDs  
Connection: Cannon-Trident plug, 12 poles



## Ordering information

Description	Type	Order code
3-position enabling device	JSD-HD4-3A0806	2TLA920091R0000

## Connection diagram

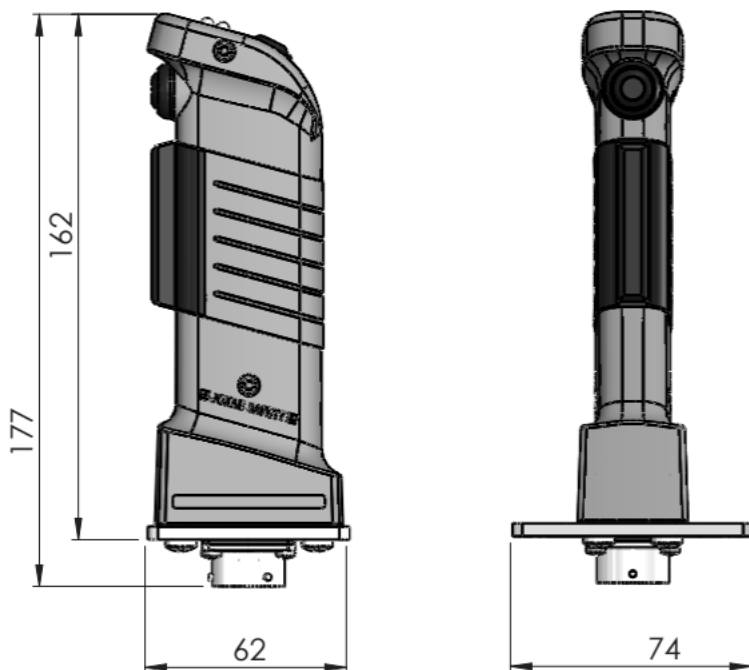


## Connection data

Type	Poles
Cannon-Trident plug	12

## Dimensions

All dimensions in mm



## Technical data

Enclosure material	Polyamide and Noryl
Enabling button	Rubber: Neoprene
Enclosure color	yellow
Weight	0,2 kg
Rated operating voltage:	24 V DC
Rated operating current DC-12 (I <sub>e</sub> ):	0,02 A
Minimal switching capacity	8 mA, 10 VDC
Protection class	IP65
Operating temperature range	-10 ... +50 C°
Performance level (PL)	up to e
B <sub>10D</sub> Value	Operations to Bottom Position 968 000 Operations to Middle Position 2 million

Further information can be found in our catalogs and operating instructions.



### ABB STOTZ-KONTAKT GmbH

Eppelheimerstr. 82  
69123 Heidelberg

<https://new.abb.com/low-voltage>

### Note

We reserve the right to make technical changes or modify the contents of this document without prior notice. With regard to purchase orders, the agreed particulars shall prevail. ABB does not accept any responsibility whatsoever for potential errors or possible lack of information in this document.

Copyright© 2025 ABB  
All rights reserved