

DEH-41374 Installation Instructions

EntelliGuard® G Circuit Breaker Accessories

Introduction

Electrical close switch:

Electrical close switch is an optional accessory which can be used in combination with the command Close coil. It has an extra 'ON' push button that fits onto the breaker front fascia, which can be locally operated manually to close the breaker.

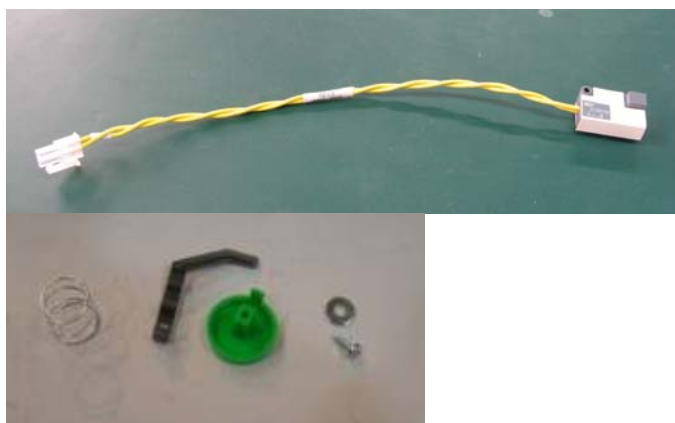


Figure 1.

Catalog Number: GECPR

Table 1. Electrical close switch push button can be used with the below Command close coils

Catalog No	DC Voltage	AC Voltage
GCCC024DR	24V	
GCCC030DR	30V	
GCCC048R	48V	48V
GCCC060DR	60-72V	
GCCC120R	110-130V	110-130V
GCCC208AR		208V
GCCC240R	220-240V	220-240V

Electrical close switch



WARNING: Before installing any accessories, turn the breaker OFF, disconnect it from all voltage sources, and discharge the closing springs.



AVERTISSEMENT: Avant d'installer tout accessoire, mettre le disjoncteur en position OFF, le déconnecter de toute tension d'alimentation, et décharger les ressorts d'armement

Use the following procedure to install the Command Closing Coil accessory into the circuit breaker.

1. Turn the breaker off and discharge the closing springs by depressing the OFF and ON buttons in the sequence OFF-ON-OFF. Verify that the breaker OFF-ON indicator shows OFF on a green background and that the charge indicator shows DISCHARGE on a white background. If installing in a draw-out type breaker remove breaker from adaptor (cassette) before continuing.
2. Loosen the 6 screws on front cover (fascia) using a posidrive screw driver as shown in Fig 1.B Rotate the charging handle down and slide the front cover over the handle to remove the front cover as shown in Fig. 1.C.



Figure 2. (A) Front Cover (B) Screw Removal (C) Handle Rotation

3. Slide the switch assembly over the mechanism side sheet and locate in the two locating holes as shown in Fig. 3



Figure3. EC switch assembly

4. Assemble the screw with washer as shown in Fig. 4. Tighten the screw to torque 1.2N-m (0.9 ft-lbs).



Figure 4. Screw assembly

5. Route the wire from the close coil to the side of the PMU base and pass thru the insulation tube for the connection with Electrical close switch as shown in fig.5



Figure5.

6. Plug the connector from the EC switch assembly to the connector from the command closing coil beside the PMU base as shown in Fig 6. Connect the other end of the harness to the command close coil



Figure 6. Connector plug assembly

Installation of Push button on the fascia:

7. Remove the existing dummy button by removing the screw as shown in fig 7.



Dummy button Screw

Figure 7

8. Insert the push button and the spring from the front of the fascia. Assemble them to the fascia with the screw & washer as shown in fig 8.

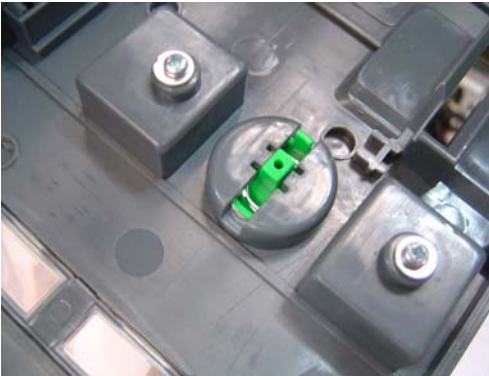


Fig 8. Push button assembly

9. To reinstall the cover, rotate the charging handle down and slide the front cover over the handle to assemble the front cover to housing as shown in Fig. 9.



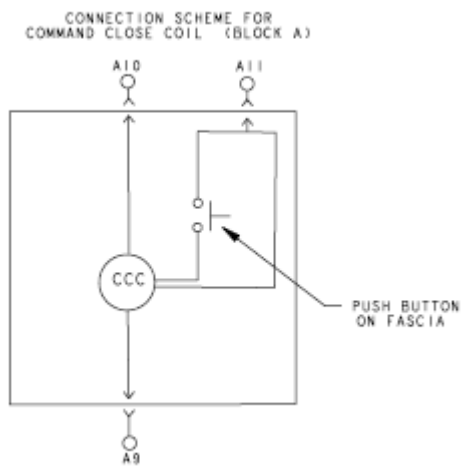
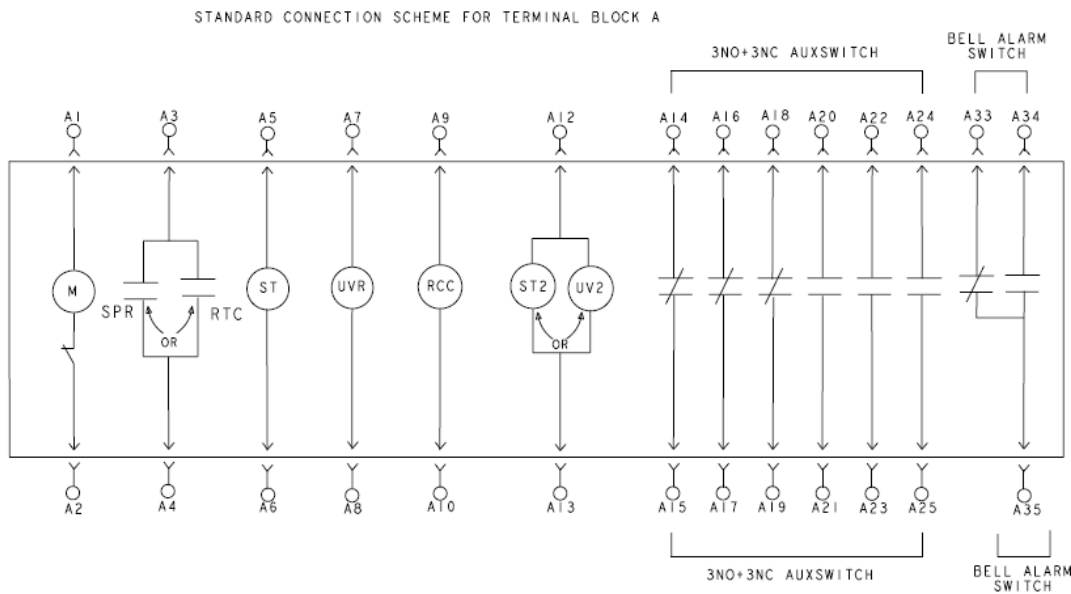
Figure 9.

10. Ensure the fascia is aligned properly with the trip unit and the pad lock features of the breaker.

11. Fasten the 6 mounting screws of fascia with the housing using a pozidrive screwdriver. Apply torque of 6 Nm (4.42ft-lbs).

Reference:

Command Closing Coil Connection Scheme:



These instructions do not cover all details or variations in equipment nor do they provide for every possible contingency that may be met in connection with installation, operation, or maintenance. Should further information be desired or should particular problems arise that are not covered sufficiently for the purchaser's purposes, the matter should be referred to the ABB Inc.

ABB Inc.
305 Gregson Drive
Cary, NC 27511.
electrification.us.abb.com

We reserve the right to make technical changes or modify the contents of this document without prior notice. With regard to purchase orders, the agreed particulars shall prevail. ABB Inc. does not accept any responsibility whatsoever for potential errors or possible lack of information in this document.

We reserve all rights in this document and in the subject matter and illustrations contained therein. Any reproduction or utilization of its contents – in whole or in parts – is forbidden without prior written consent of ABB Inc. Copyright© 2019 ABB All rights reserved