

FXM2000-DM23  
Electromagnetic Flowmeter  
Integral mount design



# Contents

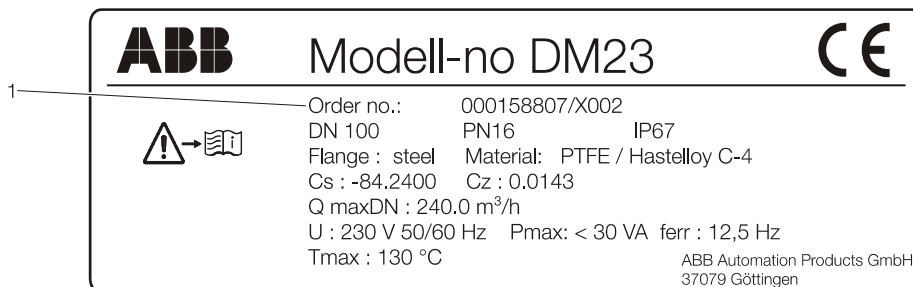
<b>1</b>	<b>Name plate specifications for spare parts orders .....</b>	<b>3</b>
1.1	Name plate for compact design .....	3
<b>2</b>	<b>Overview .....</b>	<b>4</b>
<b>3</b>	<b>Transmitter housing .....</b>	<b>5</b>
3.1	Housing cover .....	5
3.2	Lower connection box .....	6
<b>4</b>	<b>Transmitter plug-in unit.....</b>	<b>7</b>
4.1	Calibration board .....	8
4.2	Display board .....	8
4.3	Interface board .....	9
4.4	Pulse module.....	9
<b>5</b>	<b>Seals for welded spuds series FXE4000 .....</b>	<b>10</b>
5.1	Flat gaskets (new according to PED).....	10
5.2	O-Ring seals (old) .....	10

# 1 Name plate specifications for spare parts orders

The flowmeter version can be identified by referring to the name plate that is attached to the housing.

## 1.1 Name plate for compact design

When placing spare parts orders, always remember to state the order number as shown on the name plate.



G11551

Fig. 1: Name plate for compact design (example)

1 Order number

## 2 Overview

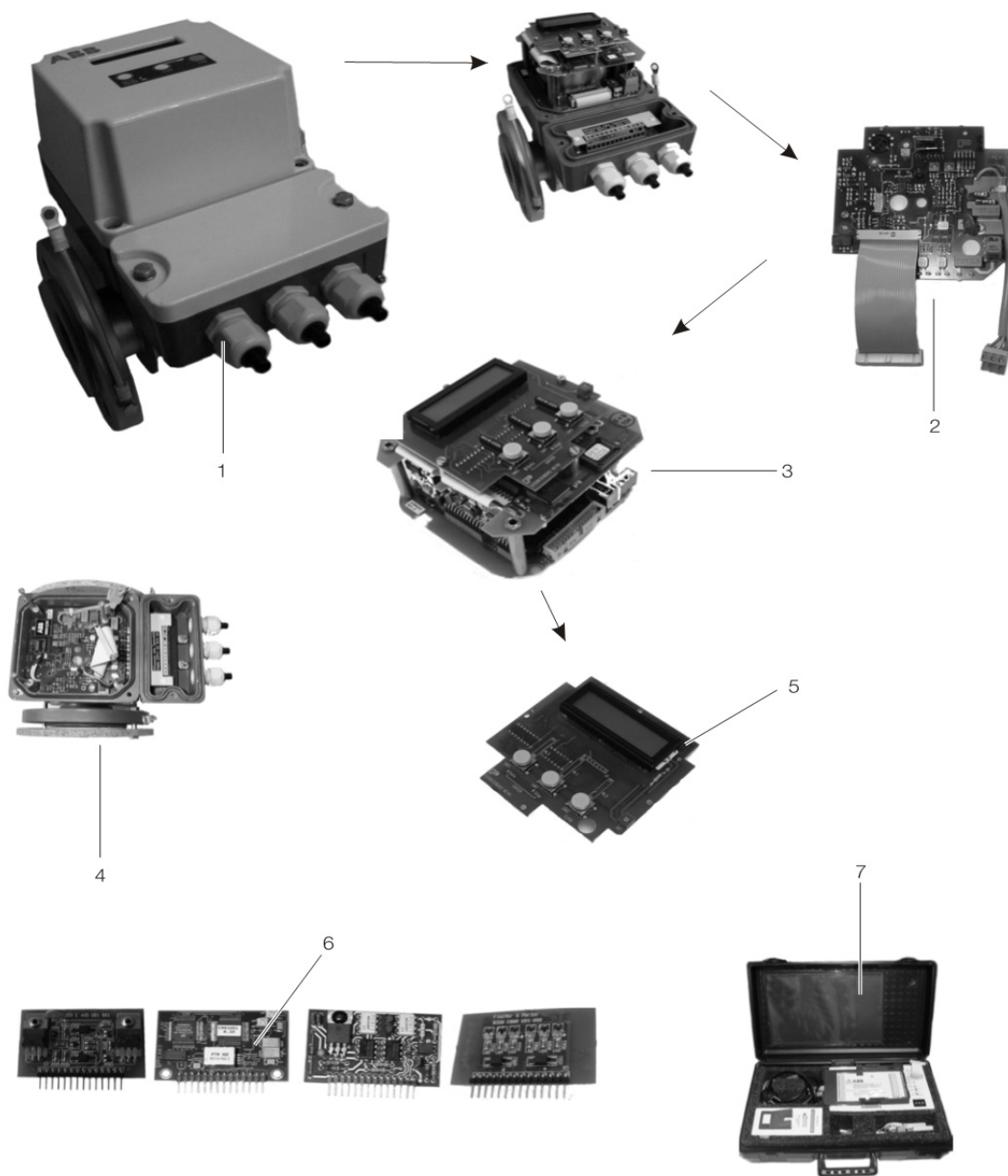


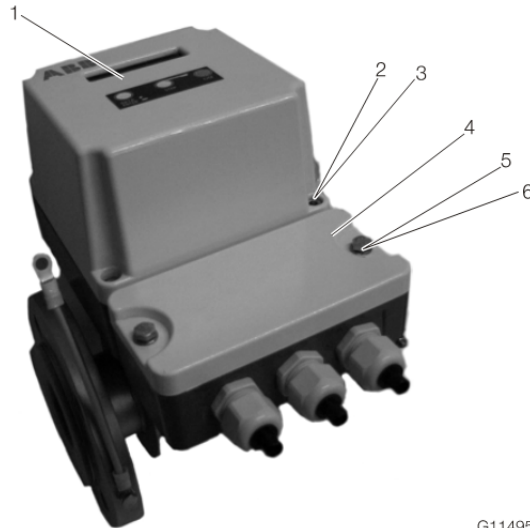
Fig. 2: Overview

1 Flowmeter | 2 Calibration board | 3 Transmitter plug-in unit | 4 Lower connection box | 5 Display board | 6 Interface board | 7 Primary Simulator

G11494

### 3 Transmitter housing

#### 3.1 Housing cover



G11495

Fig. 3

Position	Name of part	Order number	Weight kg (lb)	Price (€)
1 ... 3	Cover set, large, includes:	D614L999403	0,38 (0,8)	
1	Cover, large, with window			
2	Screw M6 x 25			
3	Spring washer 6,0			
4 ... 6	Cover set, small, includes:	D614L999U04	0,2 (0,4)	
4	Cover - lower section, small			
5	Hexagonal screw M6 x 16			
6	Spring washer			

### 3.2 Lower connection box

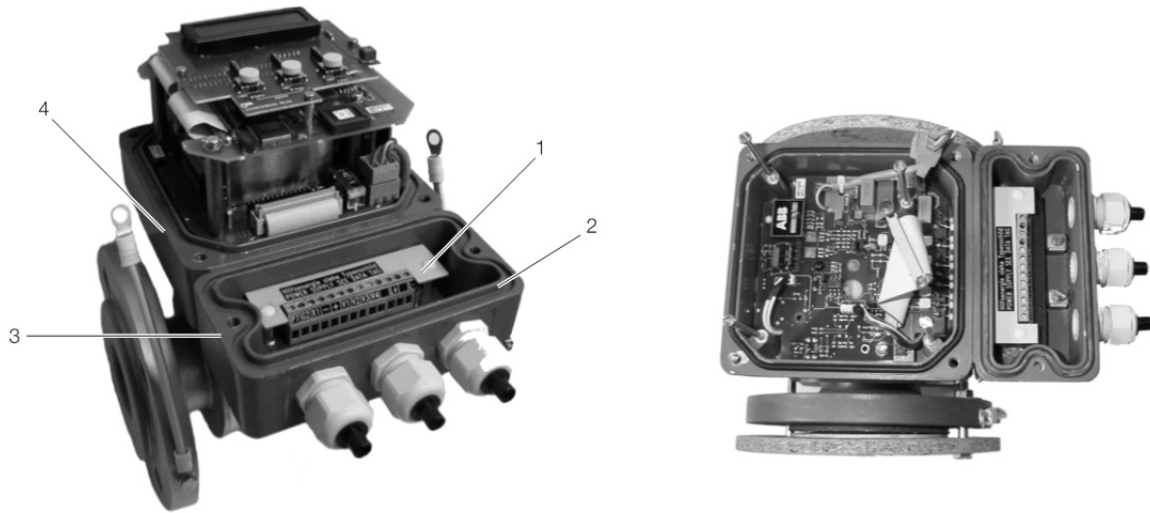
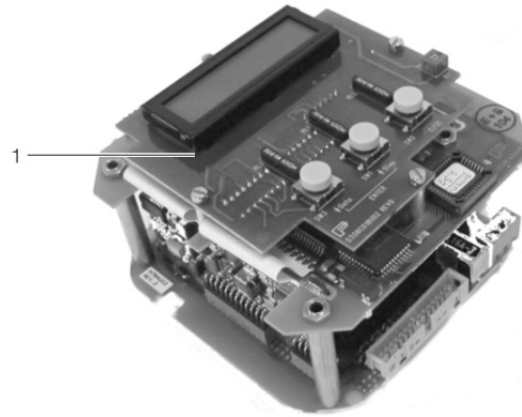


Fig. 4

G11496

Position	Name of part	Order number	Weight kg (lb)	Price (€)
1	Connection board w. bypass capacitor Profibus connection board	D685A463U02 D685A463U04		
2	Lower section + connection box PG13.5 (28 x 28) Lower section + connection box PF ½" (G ½") Lower section + connection box ½" N PT Lower section + connection box PG13.5 PB Lower section + connection box PF ½" PB Lower section + connection box ½" N PT PB Lower section + connection box PG13.5 (10 x 20) Lower section + connection box PG13.5 PB	D685A463U04 D612A146U01 D612A146U02 D612A146U03 D612A146U10 D612A146U11 D612A146U12 D612A147U01		
3	Gasket NB 111	D333F004U01		
4	O-ring NBR 70	D101A031U01		

## 4 Transmitter plug-in unit



G11497

Fig. 5

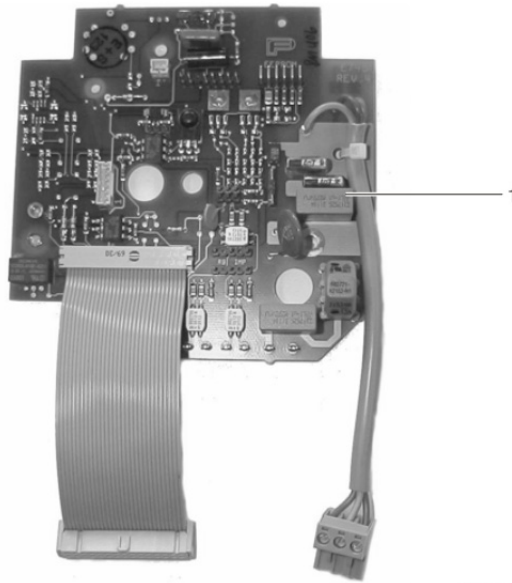
Position	Name of part	Order number	Weight kg (lb)	Price (€)
1	Slide-in conv. 230 V AC standard	D674A592U08	0,8 (1,8)	
	Slide-in conv. 230 V AC HART	D674A592U10	0,8 (1,8)	
	Slide-in conv. 230 V AC PB	D674A593U19	0,8 (1,8)	
	Slide-in conv. 115 V AC standard	D674A592U18	0,8 (1,8)	
	Slide-in conv. 115 V AC HART	D674A592U19	0,8 (1,8)	
	Slide-in conv. 115 V AC Profibus	D674A594U14	0,8 (1,8)	
	Slide-in conv. 24 V AC standard	D674A592U09	0,8 (1,8)	
	Slide-in conv. 24 V AC HART	D674A592U11	0,8 (1,8)	
	Slide-in conv. 24 V AC PB	D674A596U14	0,8 (1,8)	
	Slide-in conv. 24 V / 48 V AC	D674A592U12	0,8 (1,8)	
	Slide-in conv. 24 V / 48 V AC HART	D674A592U13	0,8 (1,8)	
	Slide-in conv. 24 V / 48 V AC PB	upon request	0,8 (1,8)	
	Slide-in conv. 100 V AC	D674A592U14	0,8 (1,8)	
	Slide-in conv. 100 V AC HART	upon request	0,8 (1,8)	
	Slide-in conv. 100 V AC PB	D674A598U14	0,8 (1,8)	
	Exchange converter XM2000 230Vac	EXCD674A592U08	-	
	Exchange converter XM2000 230Vac HART	EXCD674A592U10	-	
	Exchange converter XM2000 24/48 Vdc	EXCD674A592U12	-	
	Exchange converter XM2000 24/48 Vdc HART	EXCD674A592U13	-	
	Exchange converter XM2000 24VAC	EXCD674A592U09	-	
	Exchange converter XM2000 24VAC HART	EXCD674A592U11	-	



### IMPORTANT (NOTE)

Interface RS485 / Interface RS PROFIBUS DP and pulse module active / pulse module opto can be ordered via plug-in card.

#### 4.1 Calibration board

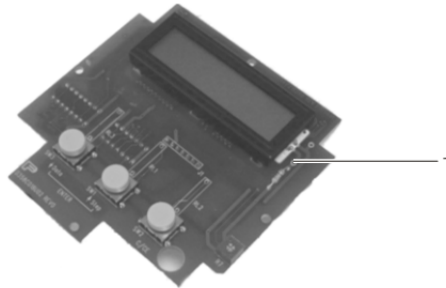


G00189

Fig. 6

Position	Name of part	Order number	Weight kg (lb)	Price (€)
1	Calibration board Opto	D685A811U05	0,1 (0,2)	
	Calibration board Opto pulse	D685A811U07	0,1 (0,2)	
	Calibration board Opto pulse PROFIBUS	D685A912U07	0,1 (0,2)	
	Calibration board Opto Profi PROFIBUS bus	D685A912U05	0,1 (0,2)	
	Calibration board relay	D685A811U06	0,1 (0,2)	
	Calibration board relay pulse	D685A811U08	0,1 (0,2)	
	Calibration board relay pulse PROFIBUS	D685A912U08	0,1 (0,2)	
	Calibration board relay PROFIBUS	D685A912U06	0,1 (0,2)	

#### 4.2 Display board



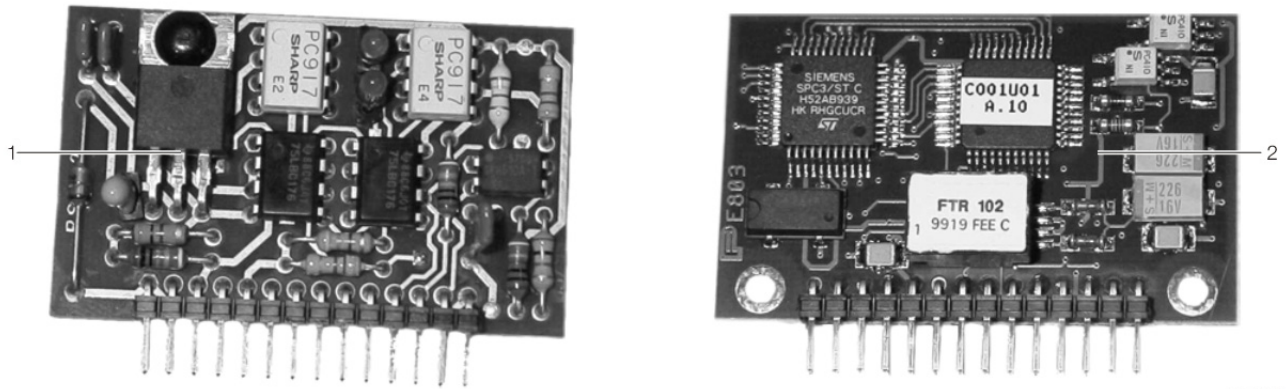
G11499

Fig. 7

Position	Name of part	Order number	Weight kg (lb)	Price (€)
1	Display board with reed contacts	D685A823U01	0,06 (0,13)	



### 4.3 Interface board

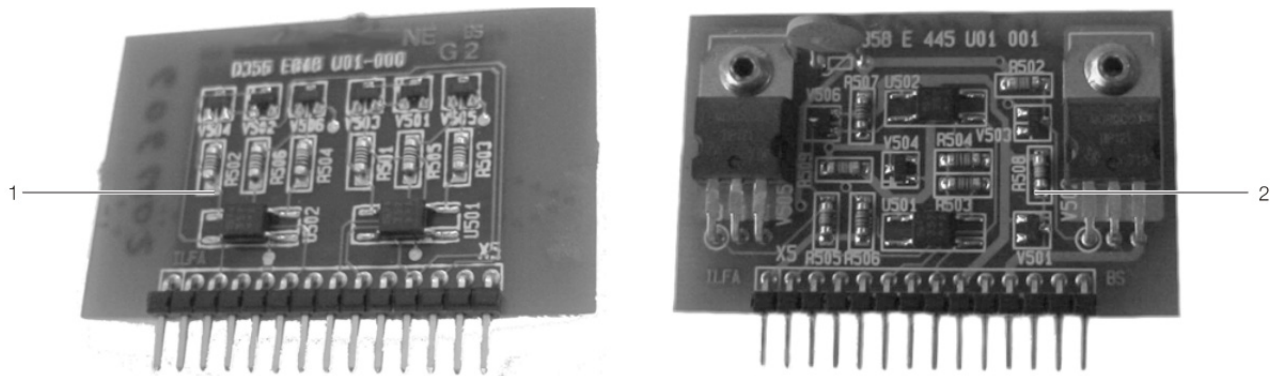


G11501

Fig. 8

Position	Name of part	Order number	Weight kg (lb)	Price (€)
1	Interface RS485	D685A299U01	0,008	
2	Interface PROFIBUS DP	D685A835U03	0,008	

### 4.4 Pulse module



G11500

Fig. 9

Position	Name of part	Order number	Weight kg (lb)	Price (€)
1	Opto pulse module	D685A606U02	0,003	
2	Pulse module active	D685A431U02	0,007	
-	Pulse module relay (not shown)	D685A712U02	-	

## 5 Seals for welded spuds series FXE4000

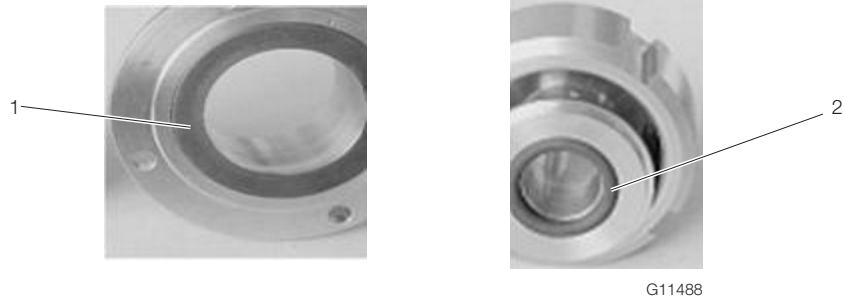


Fig. 10: Seals

### 5.1 Flat gaskets (new according to PED)

Position	Name of part	Nominal diameter	Order number	Weight kg (lb)	Price (€)
1	Flat gasket EPDM FDA approval	DN3 ... 10	D333B007U11		
	Flat gasket EPDM FDA 70 Shore-A	DN15	D333B008U11		
	Flat gasket EPDM FDA 70 Shore-A	DN20	D333B009U11		
	Flat gasket EPDM FDA 70 Shore-A	DN25	D333B010U11		
	Flat gasket EPDM FDA 70 Shore-A	DN32	D333B011U01		
	Flat gasket EPDM FDA 70 Shore-A	DN40	D333B012U11		
	Flat gasket EPDM FDA 70 Shore-A	DN50	D333B013U01		
	Flat gasket EPDM FDA 70 Shore-A	DN65	D333B014U11		
	Flat gasket EPDM FDA 70 Shore-A	DN80	D333B015U11		
	Flat gasket EPDM FDA 70 Shore-A	DN100	D333B016U11		

### 5.2 O-Ring seals (old)

Position	Name of part	Nominal diameter	Order number	Weight kg (lb)	Price (€)
2	O-Ring 21x3 Aeth-Prop. Shore-A 70		D101F001U01		
	O-Ring 29x3 Aeth-Prop. Shore-A 70		D101F002U01		
	O-Ring 33x3 Aeth-Prop. Shore-A 70		D101F003U01		
	O-Ring 10,77x2,62 EPDM (FDA approval)		D101F006U01		
	O-Ring.11.25x4,05 EPDM (FDA approval) 70-Shore-A	DN 3 ... 10	D101F007U01		
	O-Ring 14x4 EPDM (FDA approval) 70-Shore-A	DN 15	D101F008U01		
	O-Ring 19x4 EPDM (FDA approval) 70-Shore-A	DN 20	D101F009U01		
	O-Ring 25x5 EPDM (FDA approval) 70-Shore-A	DN 25	D101F010U01		
	O-Ring 31x5 EPDM (FDA approval) 70-Shore-A	DN 32	D101F011U01		
	O-Ring 37x5 EPDM (FDA approval) 70-Shore-A	DN 40	D101F012U01		
	O-Ring 48x5 EPDM (FDA approval) 70-Shore-A	DN 50	D101F013U01		
	O-Ring 63x5 EPDM (FDA approval) 70-Shore-A	DN 65	D101F014U01		
	O-Ring 75x5 EPDM (FDA approval) 70-Shore-A	DN 80	D101F015U01		
	O-Ring 97x5 EPDM (FDA approval) 70-Shore-A	DN 100	D101F016U01		
	O-Ring 17,17x1,78 EPDM Shore A-70		D101F042U01		
	O-Ring 28,24x2,62 EPDM Shore A-70		D101F043U01		
	O-Ring 59,92x3,53 EPDM Shore A-70		D101F044U01		

# Notes

# Contact us

To find your local ABB branch, go to:  
[www.abb.com/contacts](http://www.abb.com/contacts)

Additional product information is  
available at:  
[www.abb.com](http://www.abb.com)

## **ABB Automation GmbH**

Service Instrumentation  
Dransfelder Str. 2  
37079 Göttingen  
Germany

### Note

We reserve the right to make technical changes and changes affecting content to this document at any time without prior notice.

Orders are subject to the agreed detailed terms and conditions. ABB cannot be held responsible for any errors or omissions in this document.

We reserve all rights to this document and its content, including images. This document must not be copied, shared with third parties, or its content (in whole or in part) used without the prior written permission of ABB.

Copyright© 2013 ABB  
All rights reserved

3KXF200003R4701

SPL/FXM2000-DM23-EN Rev. B 10.2013