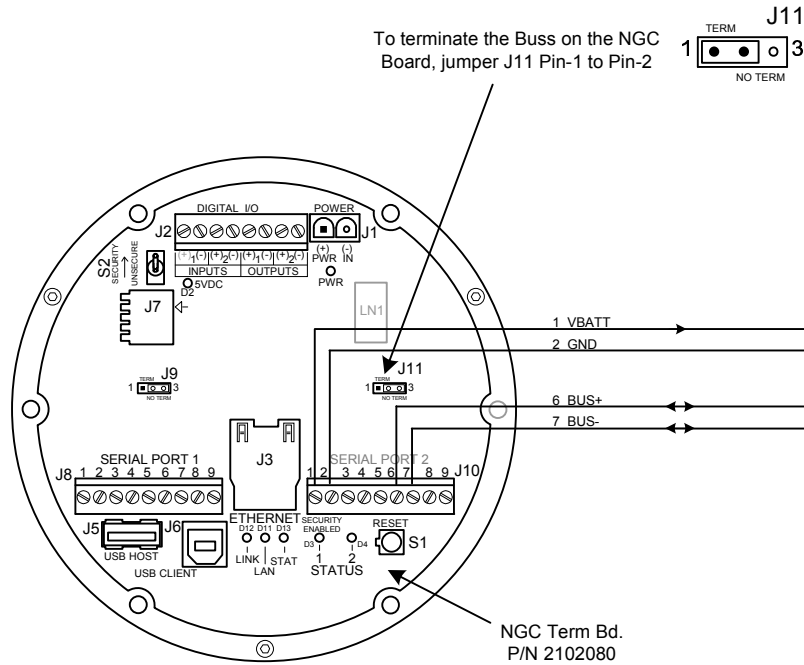


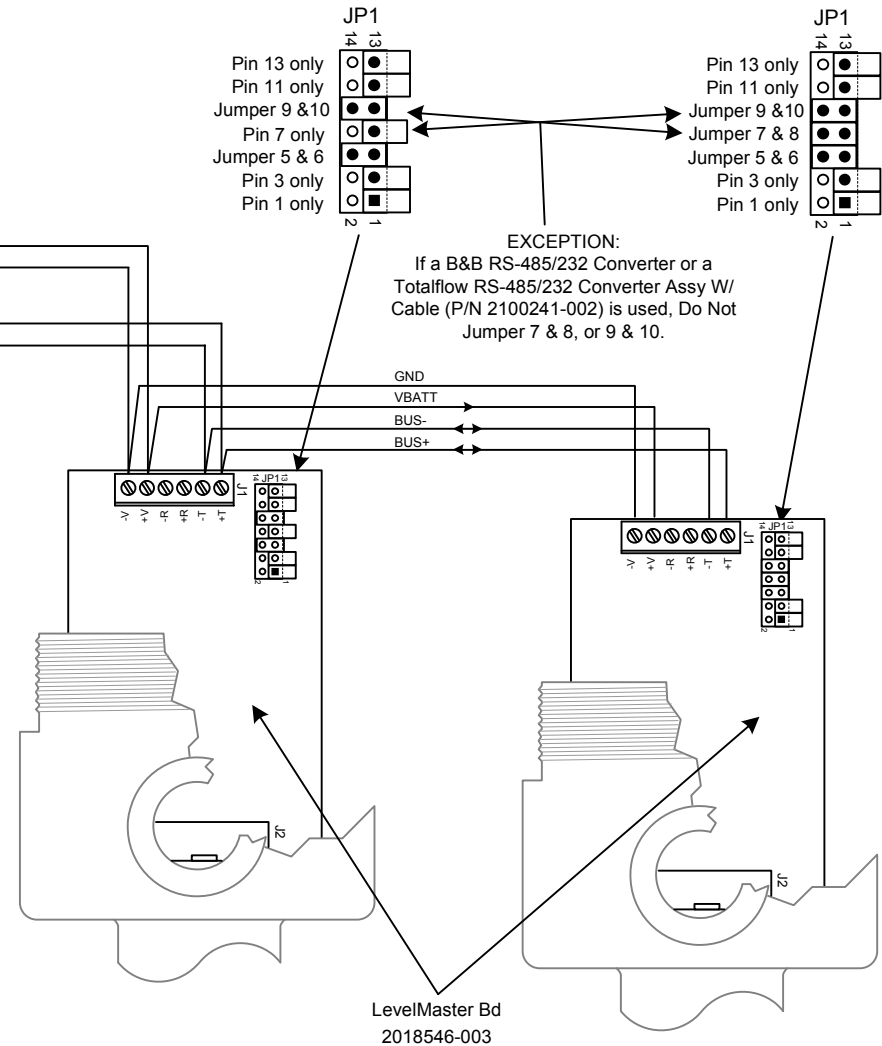
NOTES:

1. Prior to any installation in a classified hazardous location, verify installation methods by the Control Drawing referenced on the product's name tag.
2. To access the LevelMaster board, remove the enclosure top cover. To access NGC board, remove the units rear cover.



If the LevelMaster board is an intermediate device, and not the last device on the RS-485 buss, set its jumpers to match:

If the LevelMaster board is the last device on the RS-485 buss, or if it is the only device, set its jumpers to match:



3. The RS-485 buss must be wired in a daisy-chain configuration. Star configurations are not allowed.
4. Maximum accumulated length for the RS-485 buss is 4000 feet, or a maximum of 10 LevelMaster units on the buss are allowed (without barriers), but not both. If barriers are used, the same holds true for 4 LevelMaster units.
5. The LevelMaster application must be instantiated in the NGC board by X-series setup software, such as PCCU32.

REF: N/A

| | | | | | | | |
|------------|-----------|--------|----------|--|---------|-----|--------|
| ABB | TOTALFLOW | ACTION | DOC TYPE | TITLE | DWG NO. | REV | SHEET |
| | Products | D19380 | UD | NGC (2102080 BD) PORT 2 (RS-485) TO LEVELMASTER (2018546 BD) | 2102369 | AB | 1 OF 1 |