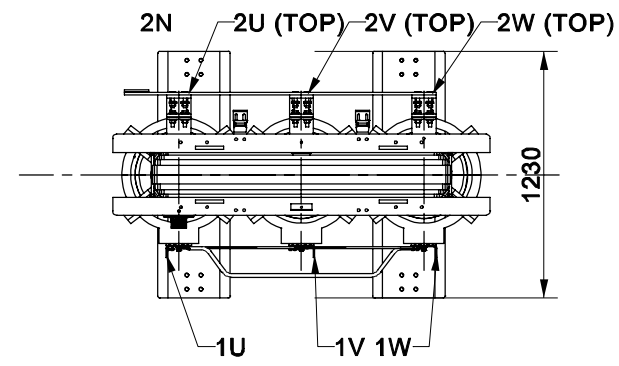
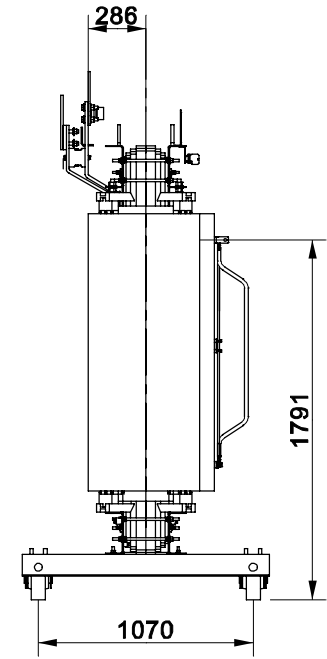
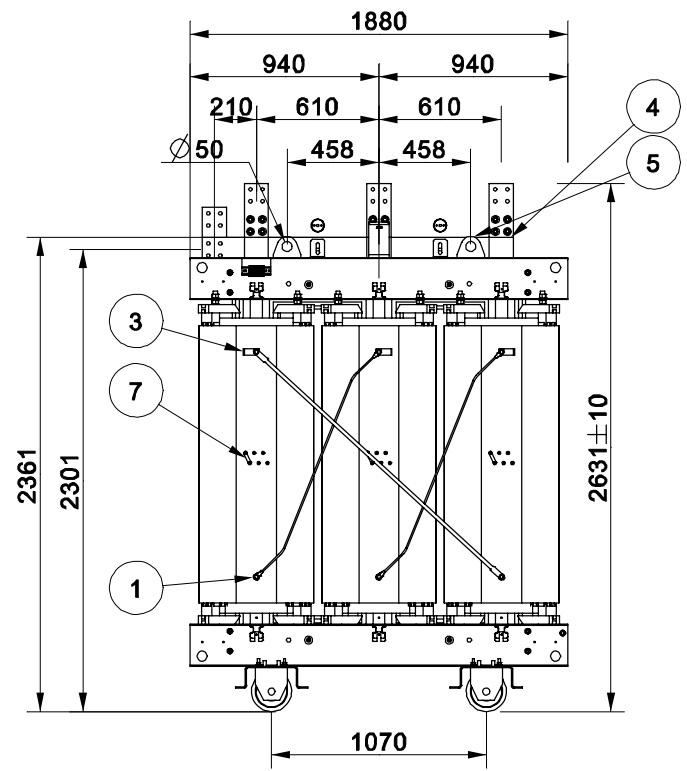


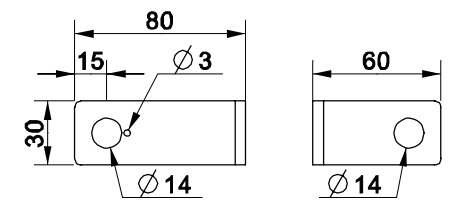
The information contained in this document is to be kept strictly confidential. Any unauthorized use, reproduction, distribution or disclosure is strictly forbidden. © Copyright 2013 ABB. All rights reserved.

DESCRIPTION	
1	- CONNECTION BETWEEN PHASES
2	- EARTHING TERMINAL
3	- H.V. TERMINAL
4	- L.V. TERMINAL
5	- LIFTING LUG
6	- RATING PLATE
7	- TAP CHANGER BY LINKS
8	- WHEELS Ø200x70



WEIGHT	
TRANSFORMER	4272 kg
ACCESORIES	71 kg
TOTAL WEIGHT	4343 kg

MATERIAL: : COPPER
THICKNESS: : 5.0 mm



TOLERANCES ACCORDING TO ISO 2768V

Prepared esu01718 08/03/2013			Responsible Department -		Classification		
Approved NONE 08/03/2013			Takeover Department -		Title CUSTOMER DRAWING POWER (kVA):2000 , kV Class:24		
Rev.	Scale	Mass	Based On		Document No.		Cont. 2
-	0.038	4343.0 kg	FA000143		1LES251319-CR		Sheet 1
Zone			Rev.		Description		Date
Zone			Rev.		Description		Date

ABB Distribution Transformers