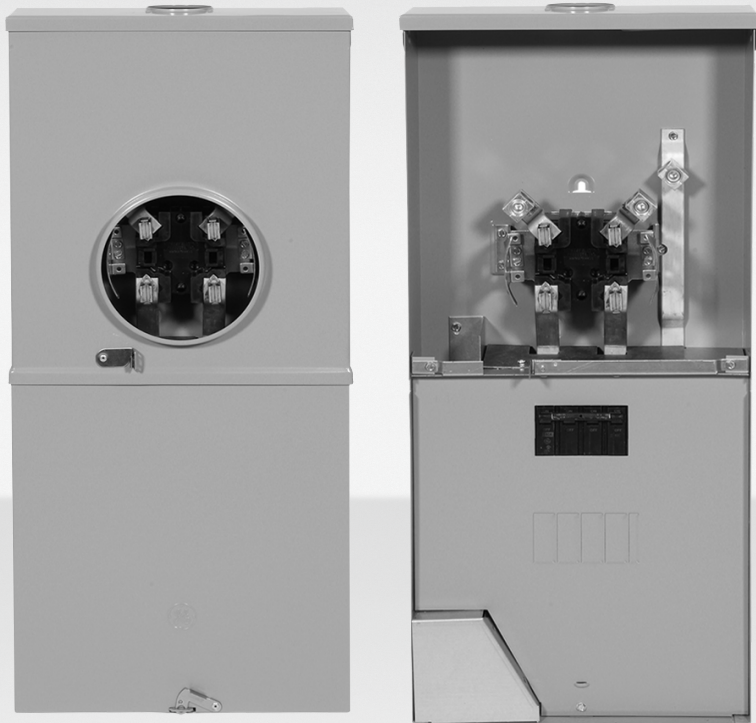




RESIDENTIAL SOLUTIONS

## Ringless Meter Socket Load Centers



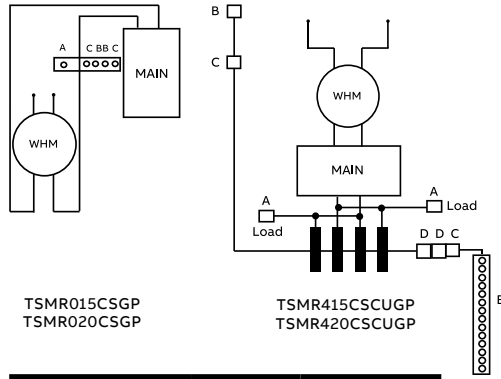
These models meet the latest requirements from Georgia Power. They retain the features of the prior models but offer ringless sockets.

### Key product changes

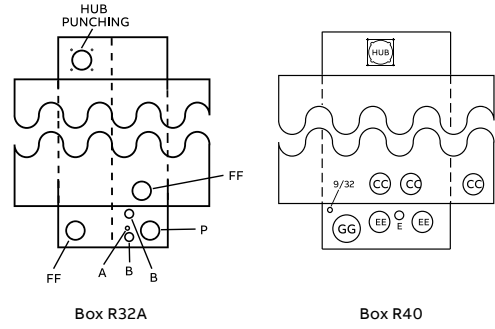
- Ringless meter cover
- Single latch centrally located hasp on Meter cover

Ringless ordering code	UPC	Ring type (Existing cat. No.)
TSMR015CSGP	078316443090	TM15RMCGP
TSMR020CSGP	078316443091	TM20RMCGP
TSMR415CSCUGP	078316443092	TSM415CSCUGP
TSMR420CSCUGP	078316443093	TSM420CSCUGP

## Wiring diagrams



## Knockouts



Breaker symbol	Breaker fill	
	1" THQL	1/2" THQP
	1	-
	1	2

Terminal symbol	Wire range (AWG/kcmil)	
	Cu	Al
o	14-8	12-8
•	14-4	12-4
A	6-2	6-2
B	14-1/0	12-1/0
C	6-2/0	6-2/0
D	1-300	2/0-300
E	1-300	1-300
F	6-1	6-1
G	6-3	6-3

Symbol	A	B	E	P	CC	EE	FF	GG
Conduit size in inches	5/32	-	-	-	-	-	-	-
	-	-	-	-	-	-	-	-
	-	1/2	-	-	1/2	1/2	-	-
	-	-	3/4	-	3/4	3/4	-	-
	-	-	-	1	1	1	-	-
	-	-	-	1 1/4	1 1/4	1 1/4	1 1/4	1 1/4
	-	-	-	1 1/2	1 1/2	1 1/2	1 1/2	1 1/2
	-	-	-	2	2	2	2	2
	-	-	-	2 1/2	-	2 1/2	2 1/2	2 1/2
	-	-	-	-	-	-	-	3

Main ampere rating	1-pole 1" spaces	2-pole 1" spaces	1-pole 1/2" spaces	2-pole, 1/2" spaces	Total 1-pole spaces	Enclosure type	Front type	Bypass type	UI incoming	Agency certification	Ordering code
150	-	-	-	-	-	Outdoor (NEMA 3R)	Surface	None	OH/UG	UL Georgia Power	TSMR015CSGP
200	-	-	-	-	-	Outdoor (NEMA 3R)	Surface	None	OH/UG	UL Georgia Power	TSMR020CSGP
150	4	2	8	3	8	Outdoor (NEMA 3R)	Surface	None	OH/UG	UL Georgia Power	TSMR415CSCUGP
200	4	2	8	3	8	Outdoor (NEMA 3R)	Surface	None	OH/UG	UL Georgia Power	TSMR420CSCUGP

Ordering code	Box number	Unit width	Unit height	Depth	Factory installed service disconnect	Field installed service disconnect	Main wire size	Equipment Ground kit
TSMR015CSGP	R32A	18 7/8	18 9/16	5	Formula A2	None	2-250	-
TSMR020CSGP	R32A	18 7/8	18 9/16	5	Formula A2	None	2-250	-
TSMR415CSCUGP	R40	14	32	4 1/2	THQMV	None	6-350	TGL2 included
TSMR420CSCUGP	R40	14	32	4 1/2	THQMV	None	6-350	TGL2 included

ABB Inc.  
305 Gregson Drive  
Cary, NC 27511  
United States

electrification.us.abb.com

GE is a trademark of GE.  
Manufactured by ABB Inc. under license  
from General Electric Company.

We reserve the right to make technical changes or modify the contents of this document without prior notice. With regard to purchase orders, the agreed particulars shall prevail. ABB Inc. does not accept any responsibility whatsoever for potential errors or possible lack of information in this document.

We reserve all rights in this document and in the subject matter and illustrations contained therein. Any reproduction, disclosure to third parties or utilization of its contents – in whole or in parts – is forbidden without prior written consent of ABB Inc. © 2022 ABB. All rights reserved.