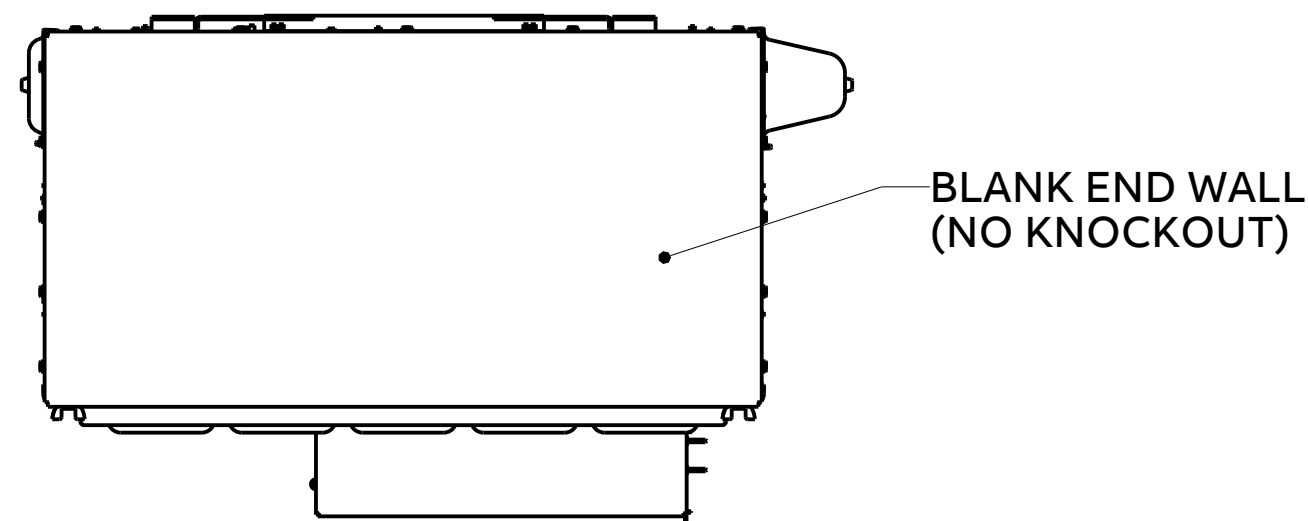
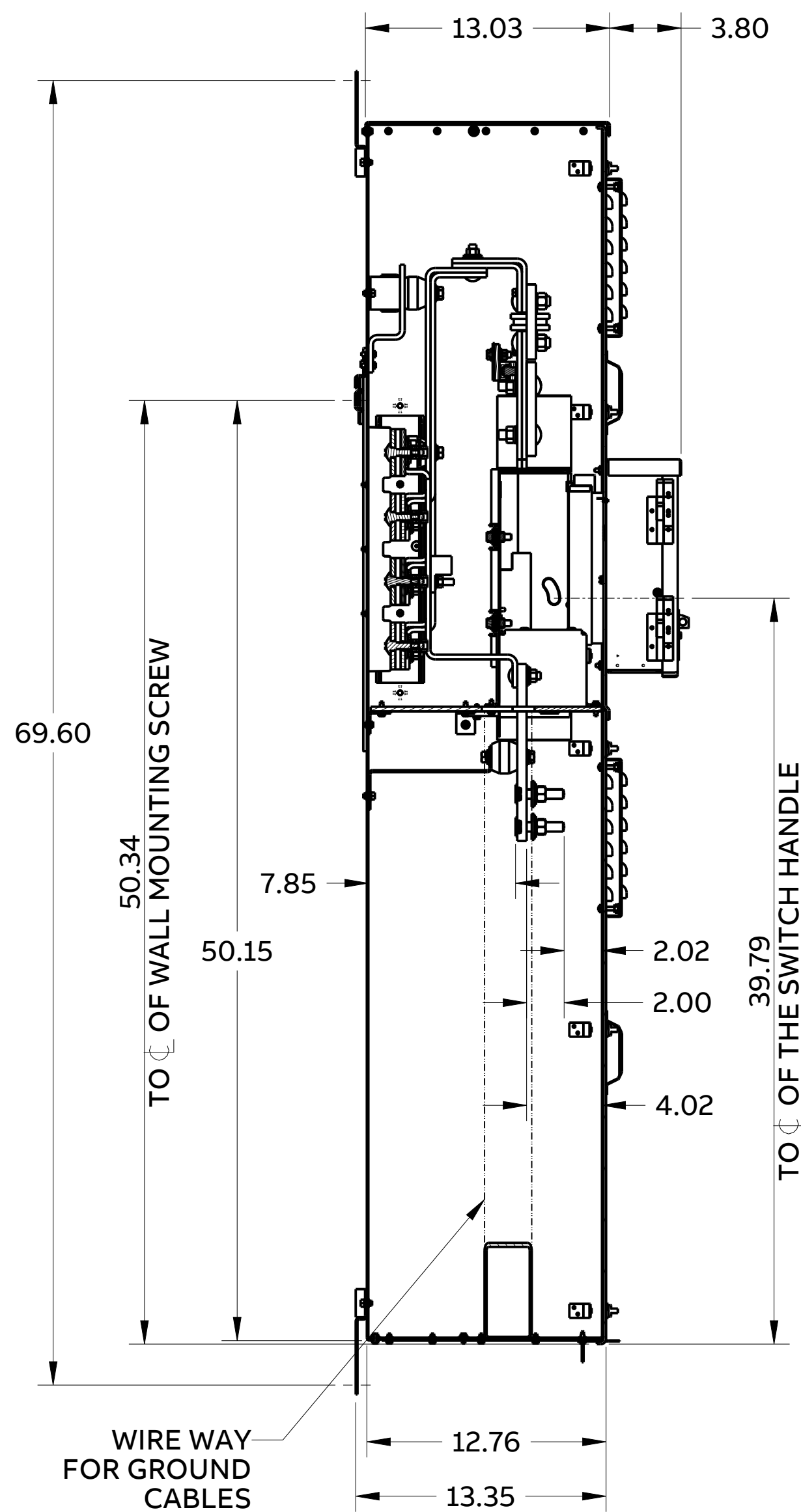


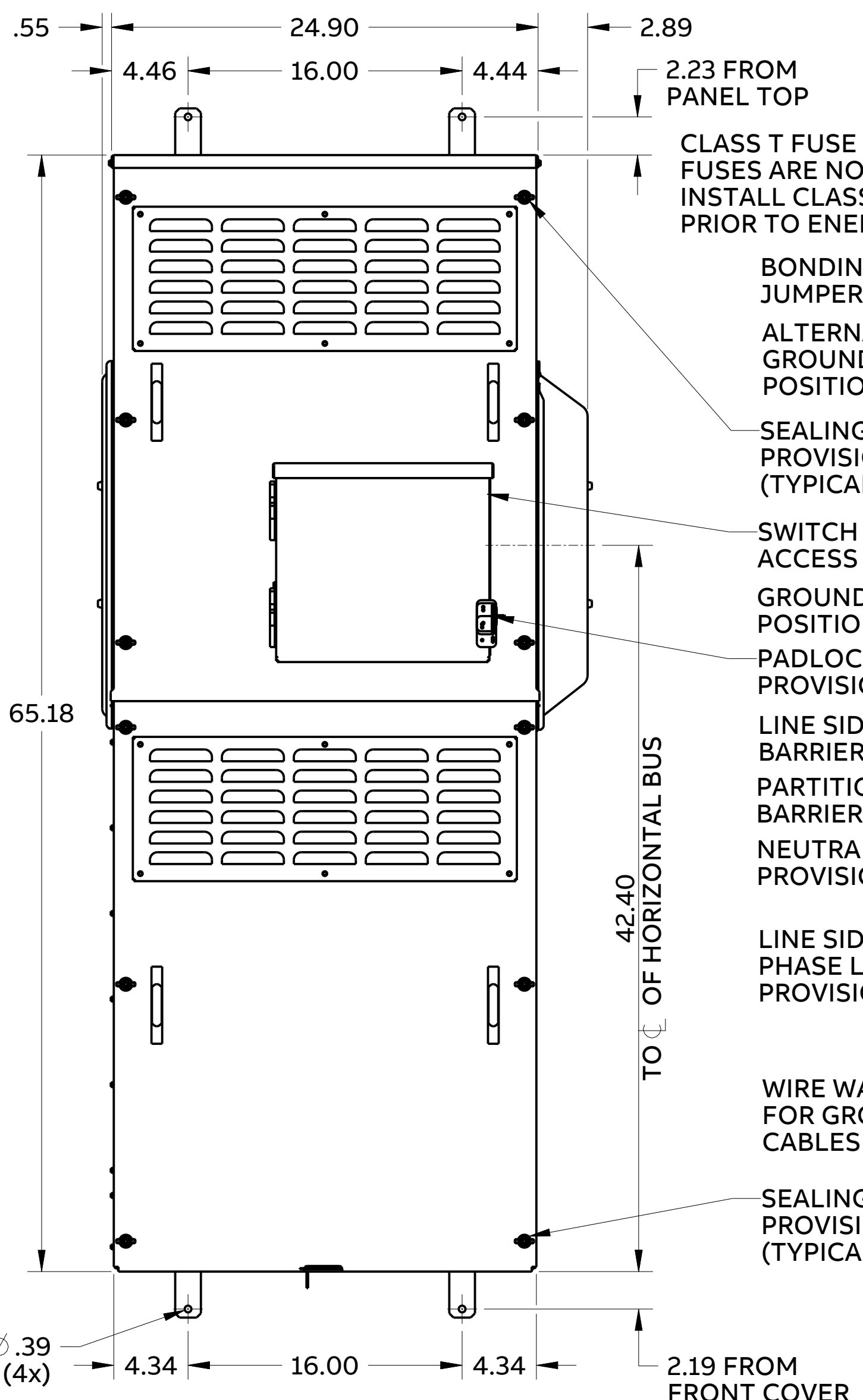
**TOP VIEW**



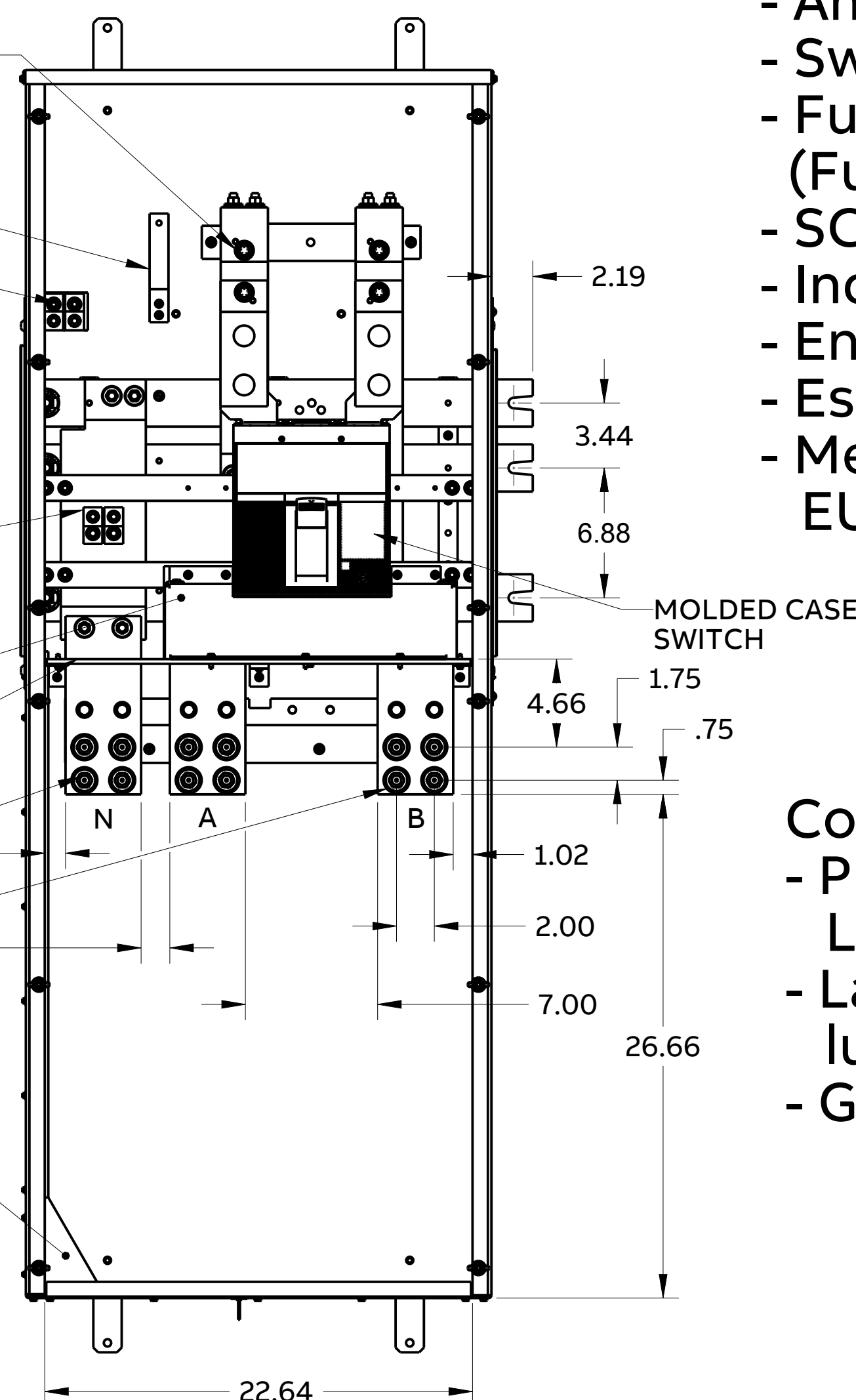
**SECTIONAL SIDE VIEW**



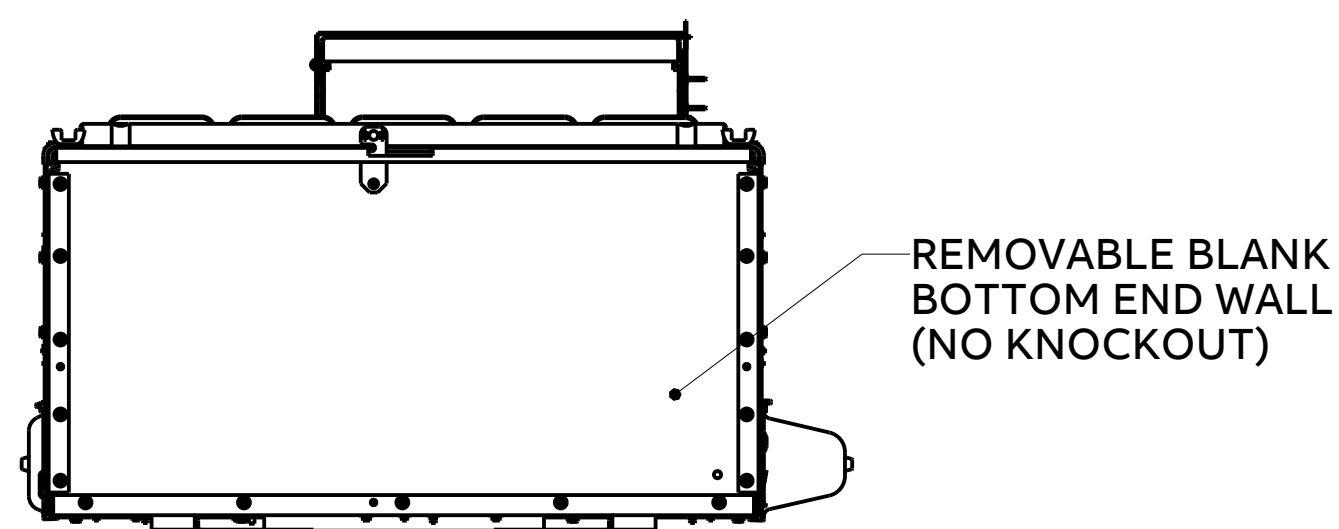
**FRONT VIEW**



**FRONT VIEW (WITH OUT FRONT COVERS)**



**BOTTOM VIEW**



**Specification:**

- Phase: 1-Phase 3-Wire
- Voltage: 120/240V
- Amperage: 800A
- Switch Frame: XT7H-D
- Fuse Provision Type: Class T, 300V Max (Fuses not included)
- SCCR: 100kA with Fuse Installed (Class T)
- Incoming Feed: Bottom Only
- Enclosure: N3R Outdoor
- Estimated Weight: 350 lbs
- Meets EUSERC Requirements, EUSERC Drawing Reference 315, 343, 347

**Conductor Range:**

- Phase lugs and neutral lugs not included, Landing Pad only.
- Landing Pad has provision for double hole lugs up to (2) 750kcmil Cu/Al.
- Ground Lugs: (2) #6-350 kcmil Cu/Al.



**800A MAIN FUSIBLE SWITCH  
100kA 1PH 3W 120/240V N3R EUSERC**

THIRD ANGLE	SHEET#	CATALOG NO.	DATE	REV
	1 of 1	RMM1FE8RCLL	09-Aug-23	A

DIMENSIONS: INCH