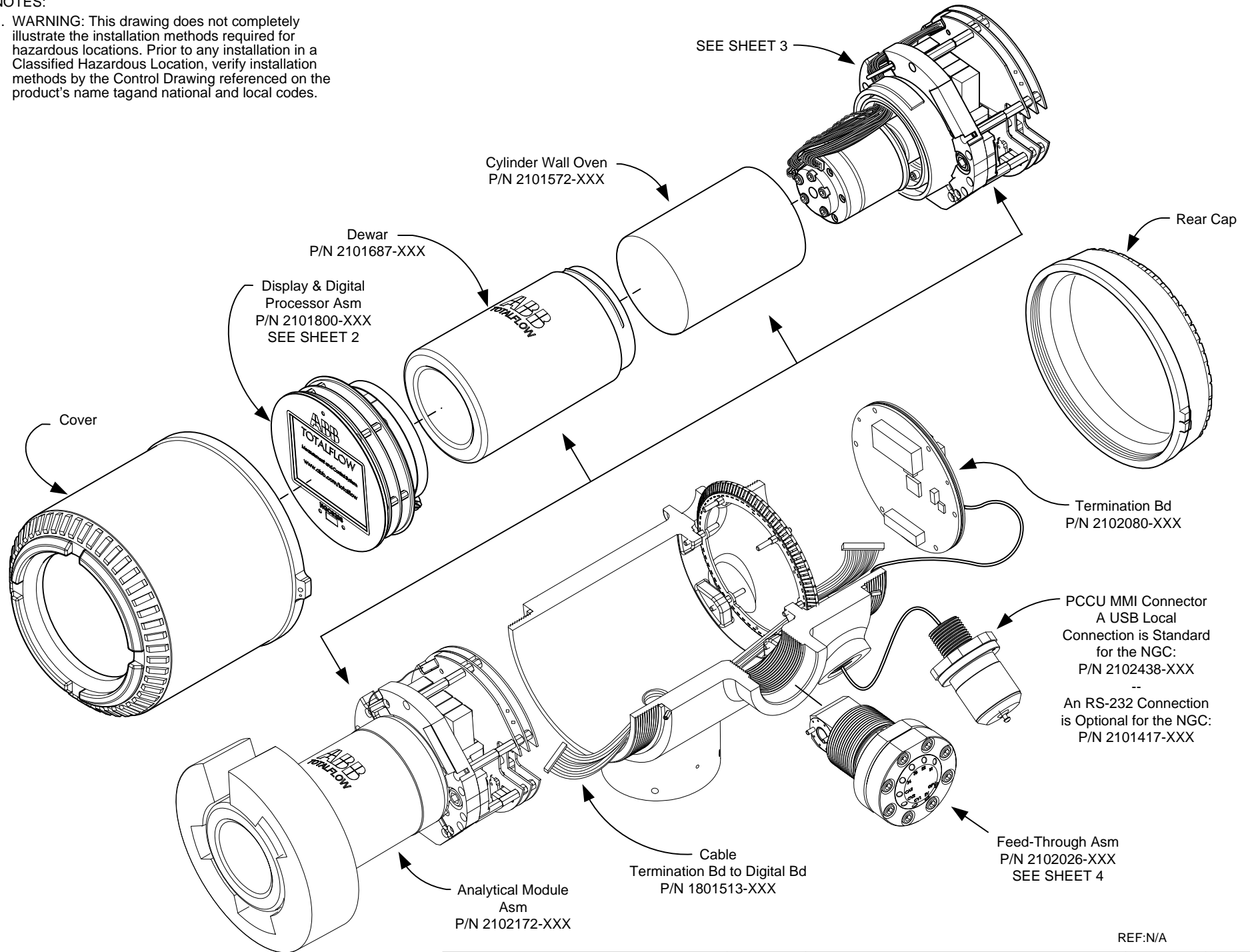


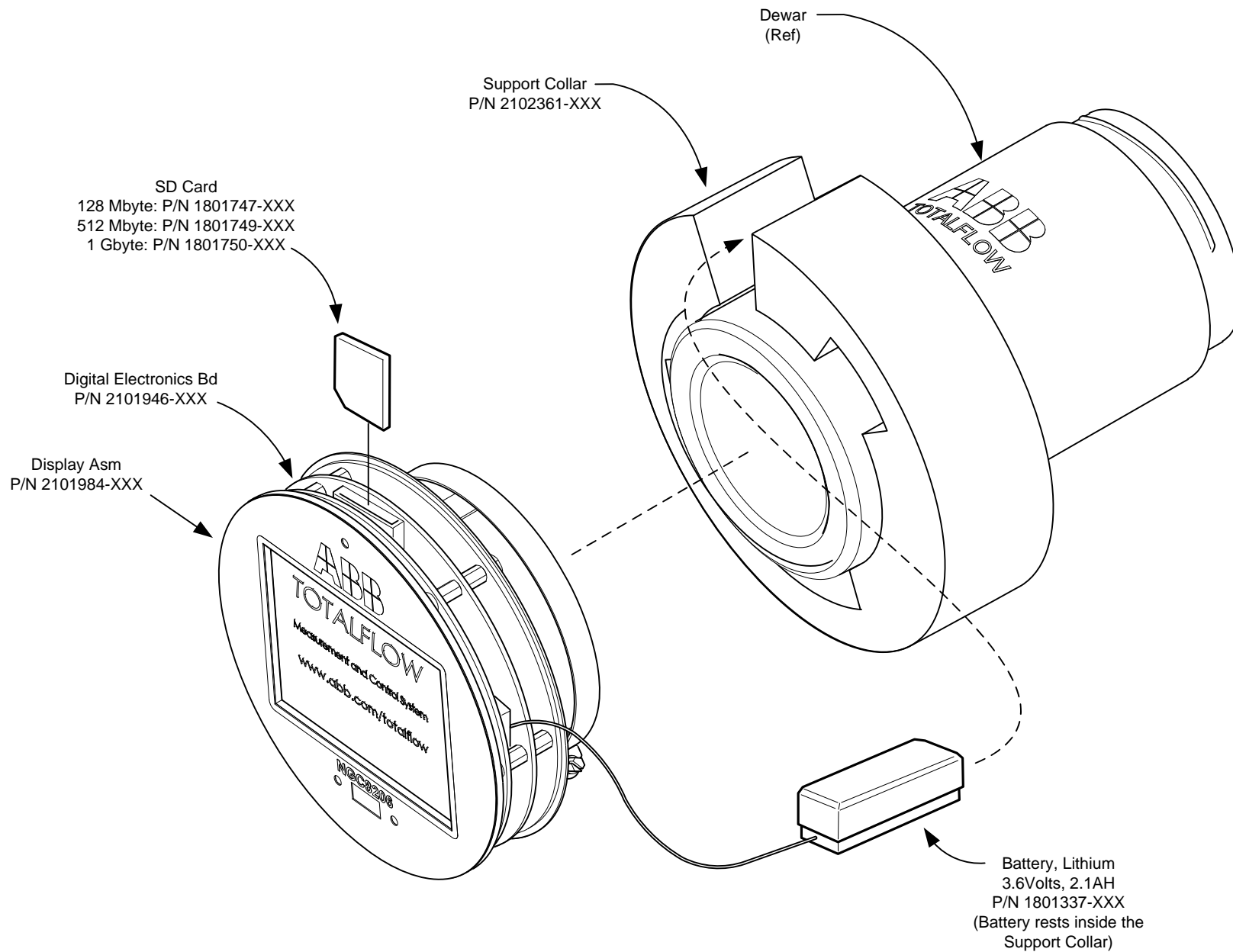
NOTES:

1. WARNING: This drawing does not completely illustrate the installation methods required for hazardous locations. Prior to any installation in a Classified Hazardous Location, verify installation methods by the Control Drawing referenced on the product's name tag and national and local codes.




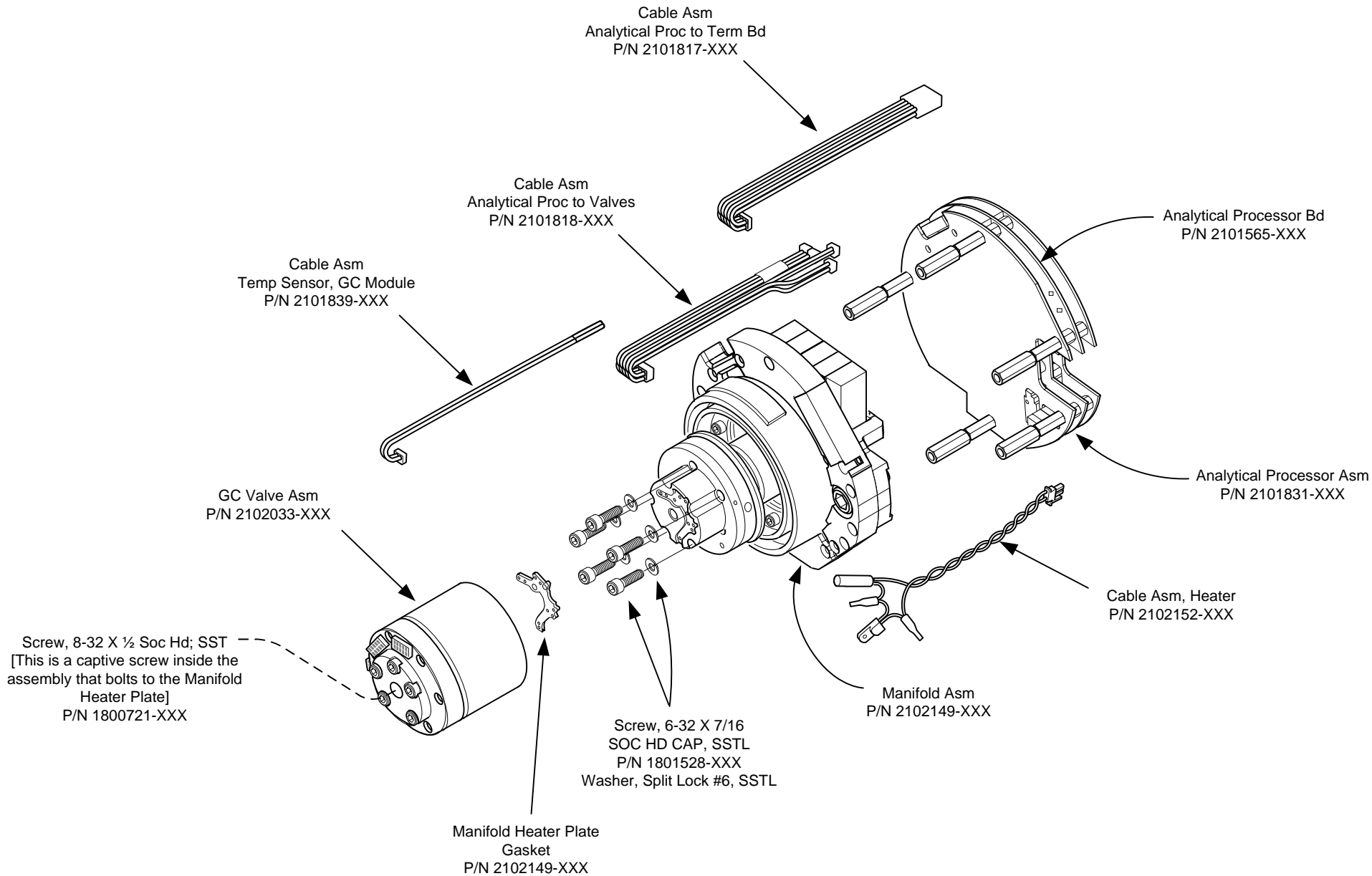
REF: N/A

ABB	TOTALFLOW Products	ACTION	DOC TYPE	TITLE	DWG NO.	REV	SHEET
		D23094	UD	NGC ILLUSTRATED PARTS BREAKDOWN	2103336	AB	1 OF 4



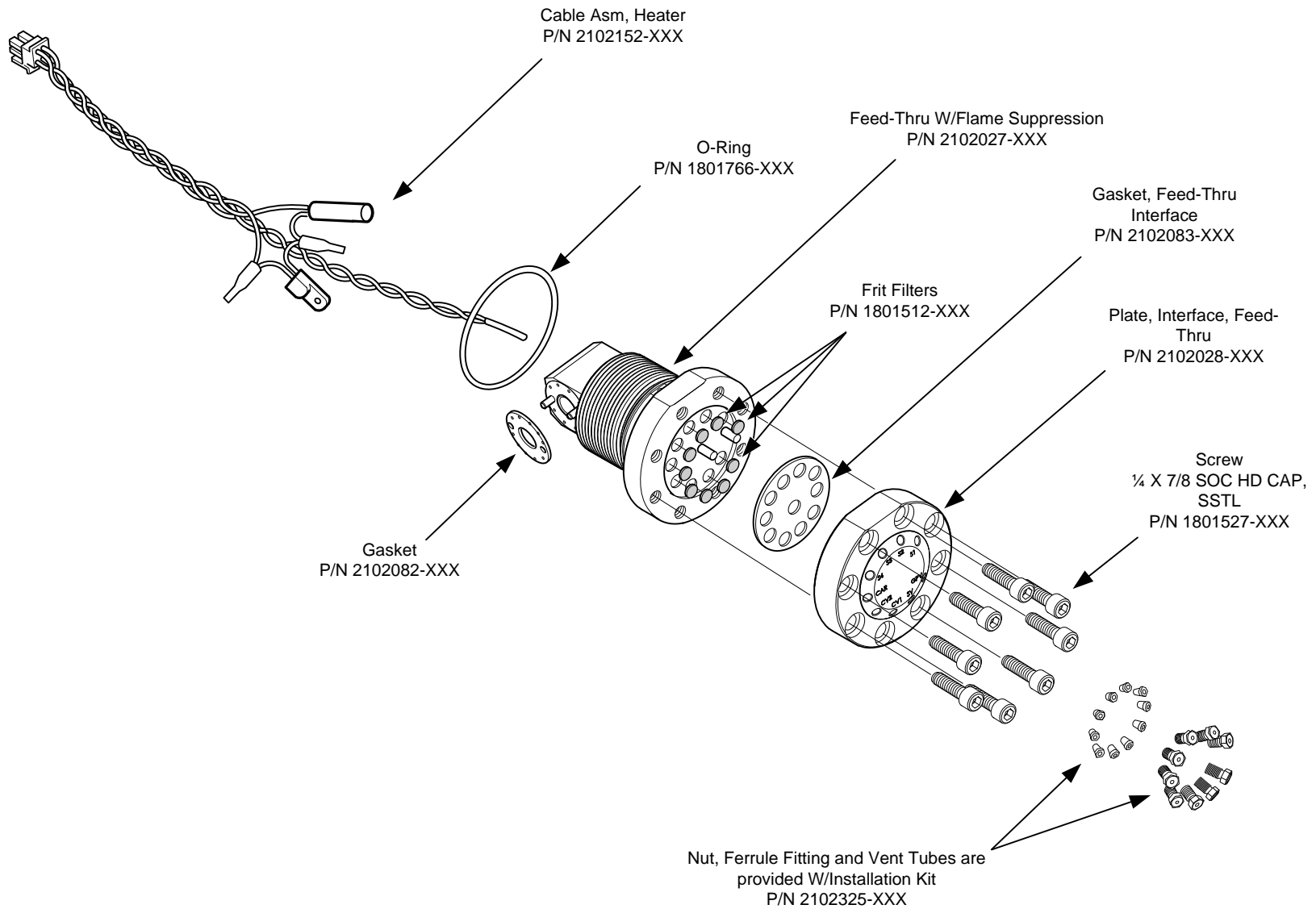
REF:N/A

 <b>ABB</b> TOTALFLOW Products	ACTION	DOC TYPE	TITLE	DWG NO.	REV	SHEET
	D23094	UD	NGC ILLUSTRATED PARTS BREAKDOWN	2103336	AB	2 OF 4



REF: N/A

 <b>TOTALFLOW</b> Products	ACTION	DOC TYPE	TITLE	DWG NO.	REV	SHEET
	D23094	UD	NGC ILLUSTRATED PARTS BREAKDOWN	2103336	AB	3 OF 4



REF:N/A

 <b>ABB</b> TOTALFLOW Products	ACTION	DOC TYPE	TITLE	DWG NO.	REV	SHEET
	D23094	UD	NGC ILLUSTRATED PARTS BREAKDOWN	2103336	AB	4 OF 4