

Quick pole assembly

Key features and benefits

Features and benefits

- Sphere-shaped quick knuckle features round edges, preventing injuries and containment build-up of components
- The quick-release mechanism is activated using one hand and one pull pin
- The quick pole assembly blocks at a 90° angle when the pull pin reaches the stopper
- All quick knuckle hardware is made of stainless steel
- All mounting brackets hardware are hot-dip galvanized steel

Quick pole assembly

- Operates in any kind of weather
- Overall length is 10 ft. (3 m)
- Pole trade size is 1½" threaded NPT
- Aluminum pole trade size is 2" threaded NPT
- Top pole section is 70" (1.78 m) long
- Lower pole section is 50" (1.27 m) long
- Set screws secure top and bottom section into the quick knuckle

Quick knuckle assembly

- Rotates 180° (90° left and right) around knuckle's center axis, allowing freedom of installation and easy adjustment
- Easy one-man operation — after center bolt is loosened, use the pull pin to lock and unlock the assembly
- Pre-finished with tape to ease wiring

Brackets

- Universal mounting for 2" to 3" angle iron railings
- Quick mounting brackets can be installed inside or outside the guardrails
- Quick knuckle assembly should be mounted above hand rail, allowing the pole sections to rotate before final positioning



—
01
The quick pole assembly blocks at a 90° angle.



Safety first

One-person operation

No ladders or lifts required

Simplified maintenance

Hot-dipped galvanized steel and aluminum finishes

Frees up catwalks and walkways during maintenance

Epoxy-coated finishes available

Suitable for 180 km/h winds as per AASHTO LTS-4 2001

Steel pole threads are treated and protected to prevent galvanic reaction as per AASHTO LTS-4 2001



Standard kit

- Overall height of 10' (3 m)
- 1½" NPT treads at both ends (1⅞" O.D. pipe)
- Rotating quick knuckle assembly
- Installed with two rail angle iron mounting brackets, allowing the pole section to rotate before final positioning

Q-P-5-10-N (Galvanized 1⅞" O.D. pipe)
Q-P-A-5-10-N (Aluminum 2⅜" O.D. pipe)
Standard Kit

Retrofit kit

- Overall maximum and predetermined height of 10' (3 m) once assembled
- Can be adapted to existing pole
- Upgrades existing assembly with quick and easy maintenance features
- See instruction sheets provided with product for installation details
- Rotating quick knuckle assembly
- Steel and aluminum adapter sleeve (2" ID) fits over standard 1¼" NPT (1.66" OD) or 1½" NPT (1.90" OD) pipe

RQ-P-5-10-N (Galvanized 1⅞" O.D. pipe)
RQ-P-A-5-10-N (Aluminum 2⅜" O.D. pipe)
Retrofit Kit



Customer existing pipe (not supplied)

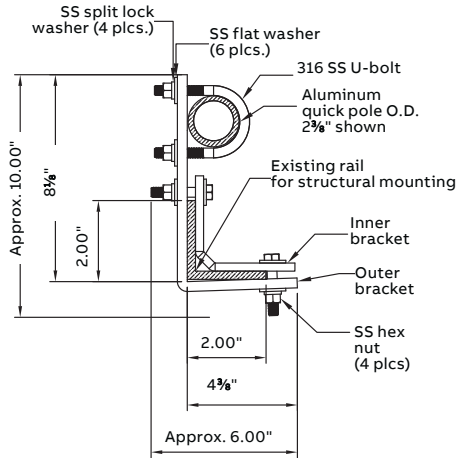
Quick pole assembly

Universal bracket kit

Stainless steel (aluminum pole)

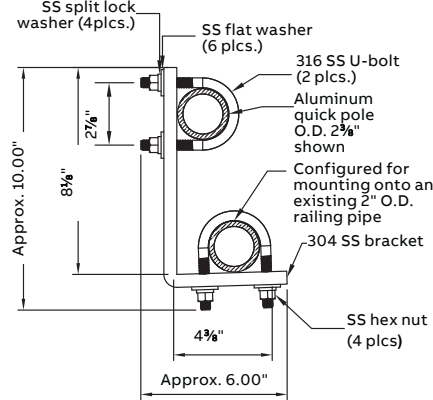
AMB-QP-A-BKT-N

Bracket for structural angle mounting



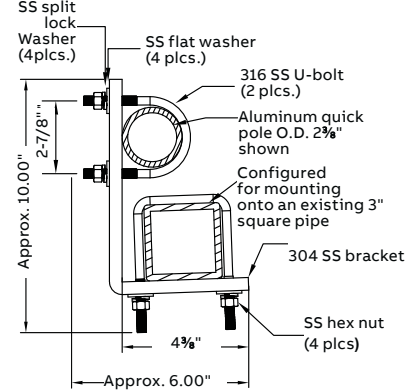
RMB-QP-A-BKT-N

Bracket for structural pole mounting



RMB-QP-A-BKT-3

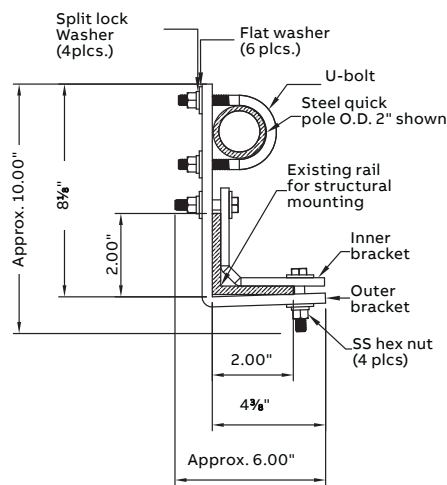
Bracket for structural square mounting



Galvanized steel

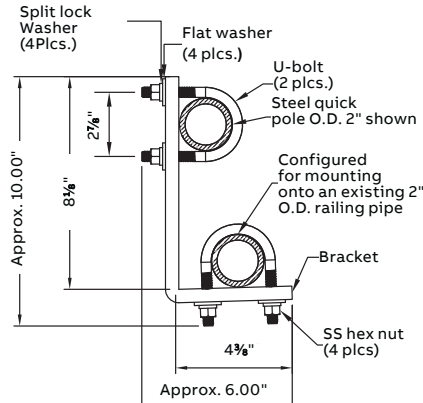
AMB-QP-BKT-N

Bracket for structural angle mounting



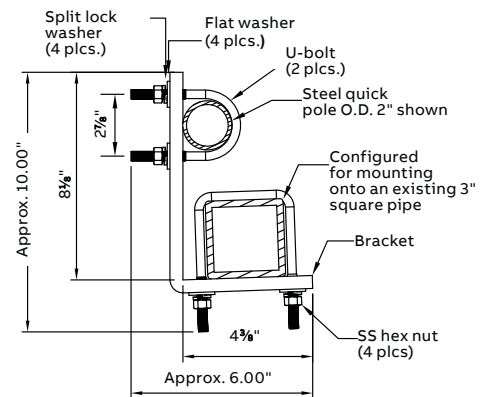
RMB-QP-BKT-N

Bracket for structural pole mounting



RMB-QP-BKT-3

Bracket for structural square mounting



Universal bracket kit

- Quick bolt-on installation, no welding or drilling
- Can be attached to angle iron guardrails up to 3"
- Supplied to be installed on tubular structures 2" O.D. or less but designed for up to 2 3/8" U-bolt in both positions
- Allows the pole sections to rotate before final positioning

