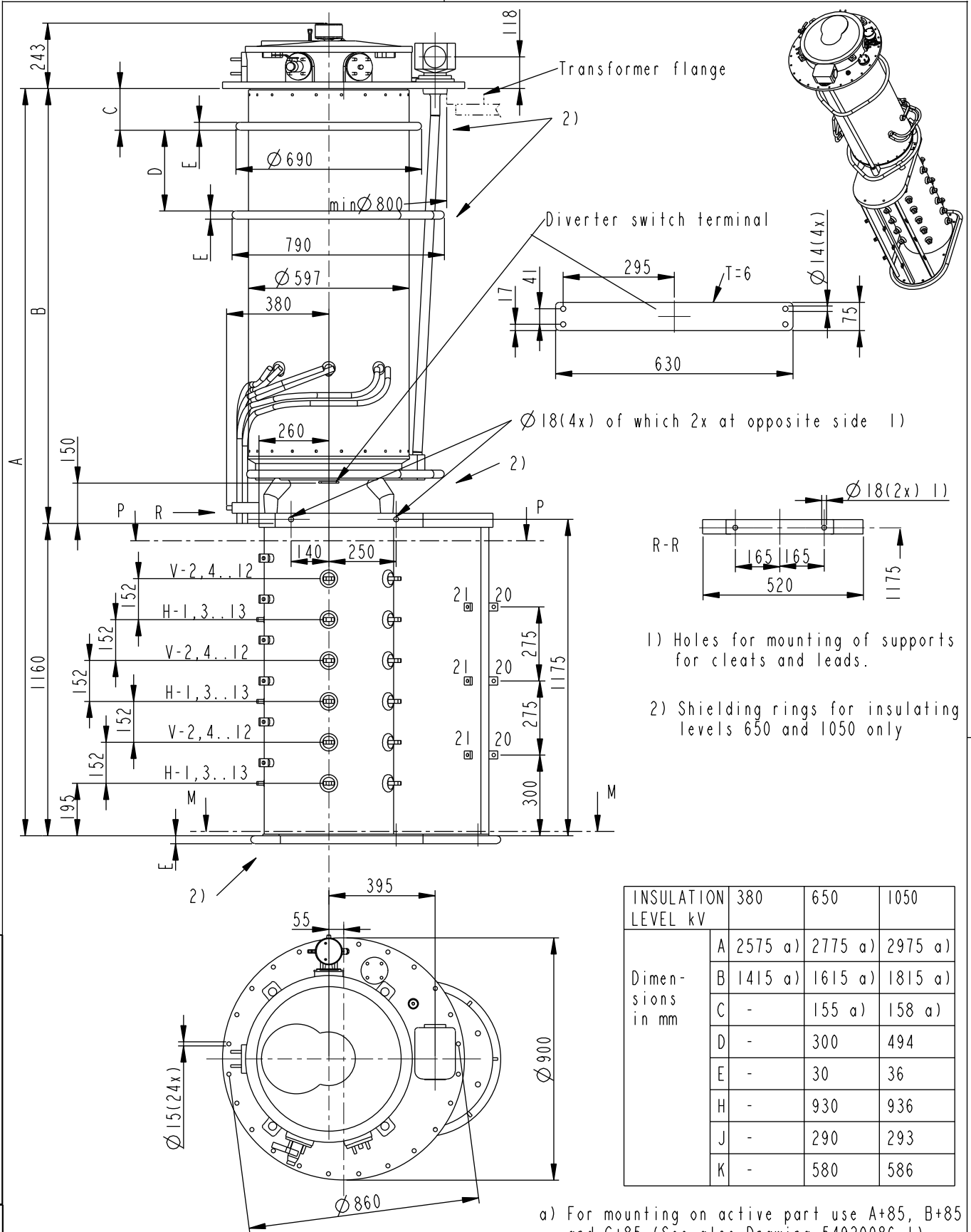


We reserve all rights in this document and in the information contained therein. Reproduction, use or disclosure to third parties without express authority is strictly forbidden. ©ABB



a) For mounting on active part use A+85, B+85 and C+85 (See also Drawing 54920086-1)

| | | | |
|---------------------------------|----------------------------------|---------------------------|-------------|
| Based on | Reg. No. | Title | |
| Prepared B Hultgren 96-09-11 | Responsible department COM/TK | TAP-CHANGER UCLR AND UCLD | |
| Approved M Eriksson | Take over department | UCL.N XXXX/900/111 | |
| Revision Rev 4 06-10-06 | Database DIMENSION_DWGS | 9,13 POS | |
| | | Document No. | 54920085-11 |

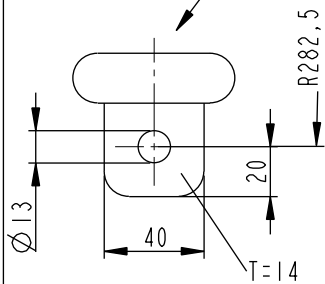
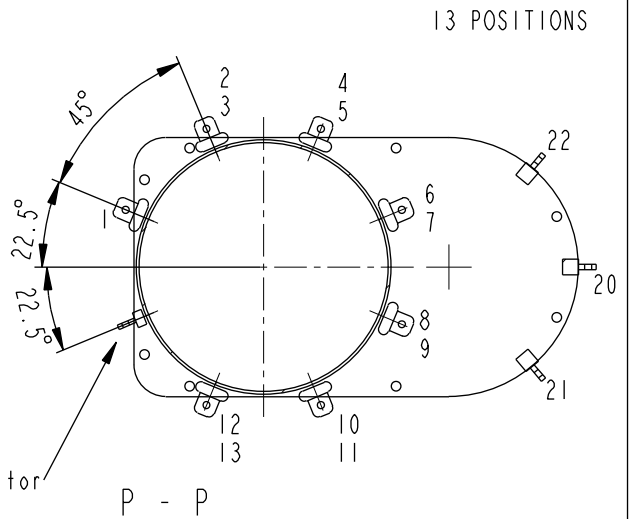
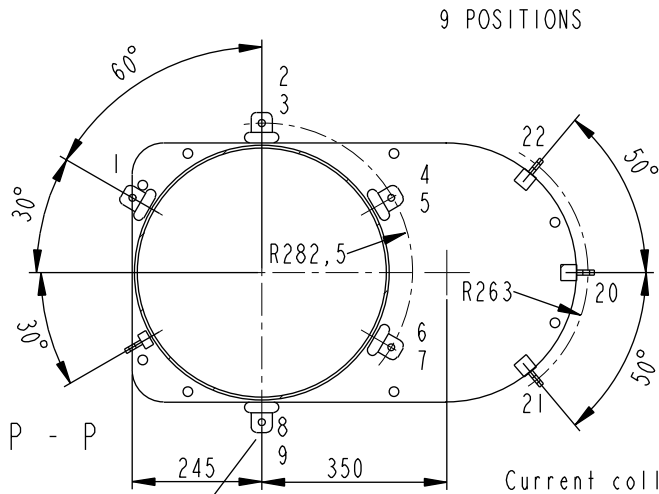
Inspection engineering review

Production engineering review

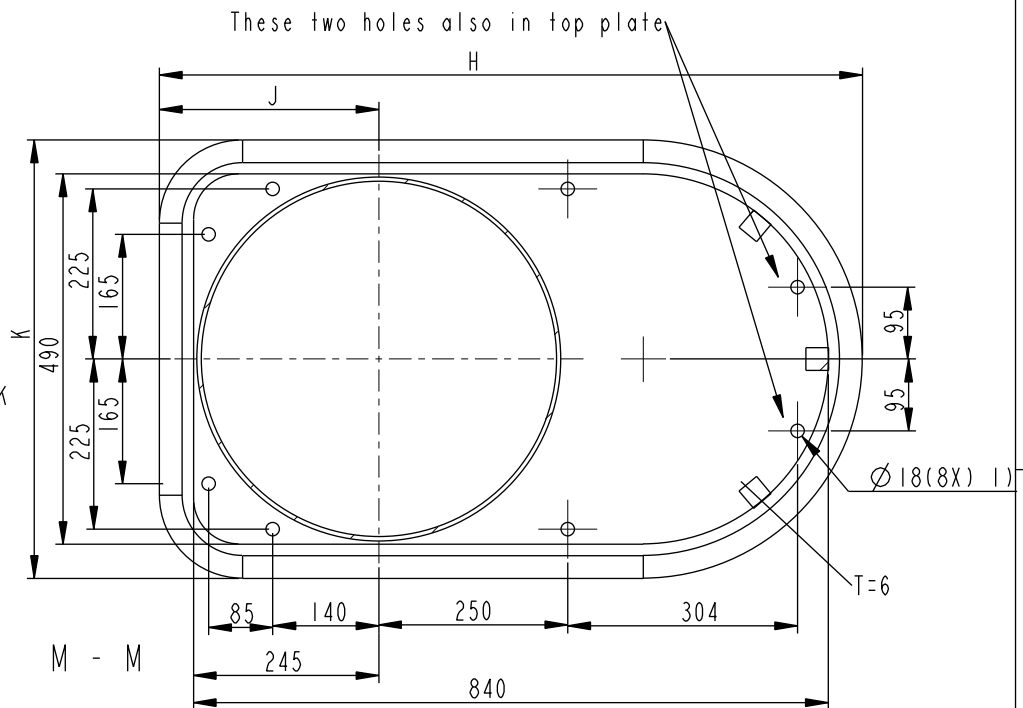
Design engineering review

Language
en
Page
1(2)

We reserve all rights in this document and in the information contained therein. Reproduction, use or disclosure to third parties without express authority is strictly forbidden. ©ABB

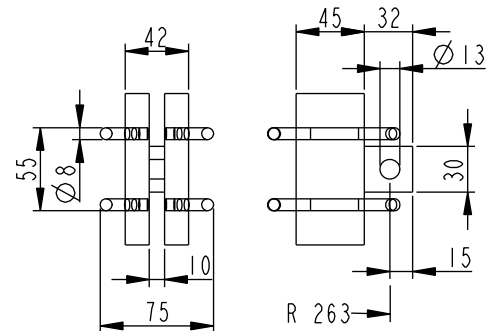


Values for dim. H, J and K in table on page 1



1) Holes for mounting of supports for cleats and leads

Tap selector contact 20,21,22 with shields



ADDITIONAL DRAWINGS:

Connection Diagrams: See Technical Guide UC
 Mounting on active part: 54920086-1
 Accessories: 54920086-2
 Motor Drive BUL: 54830001-1
 Motor Drive BUE: 54830001-2 or -3
 External Drive Shaft: 54920083-4
 Pressure Relay: 54920083-2
 Bevel Gear: 54920083-1

| | | | |
|---------------------------------|----------------------------------|---------------------------|----------------|
| Based on | Reg. No. | Title | |
| Prepared B Hultgren 96-09-11 | Responsible department COM/TK | TAP-CHANGER UCLR AND UCLD | |
| Approved M Eriksson | Take over department | UCL.N XXXX/900/111 | Language en |
| Revision Rev.4 06-10-16 | Database DIMENSION_DWGS | | Page 2(2) |
| | | Document No. | 54920085-11 |

Inspection engineering review

Production engineering review

Design engineering review