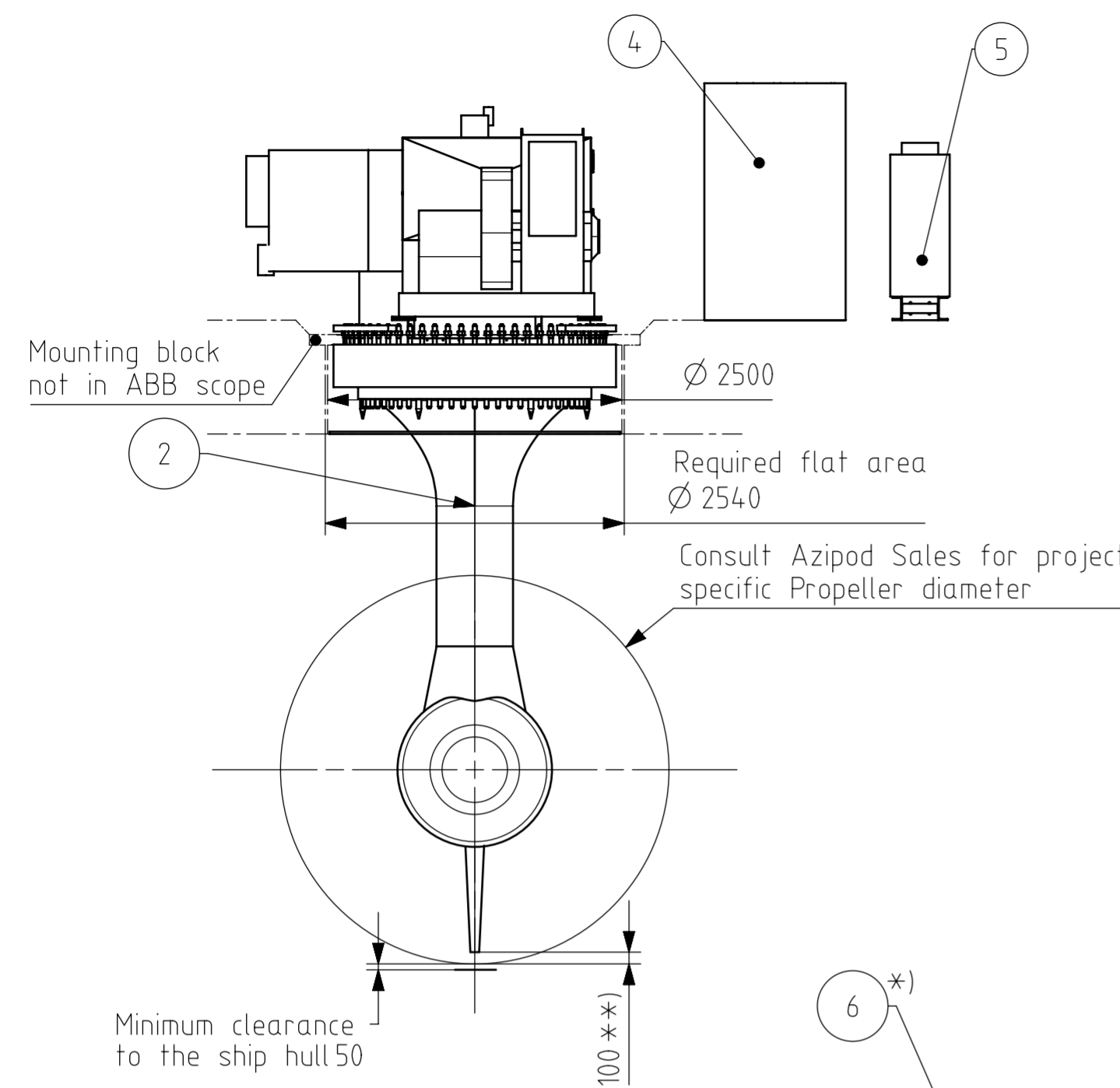
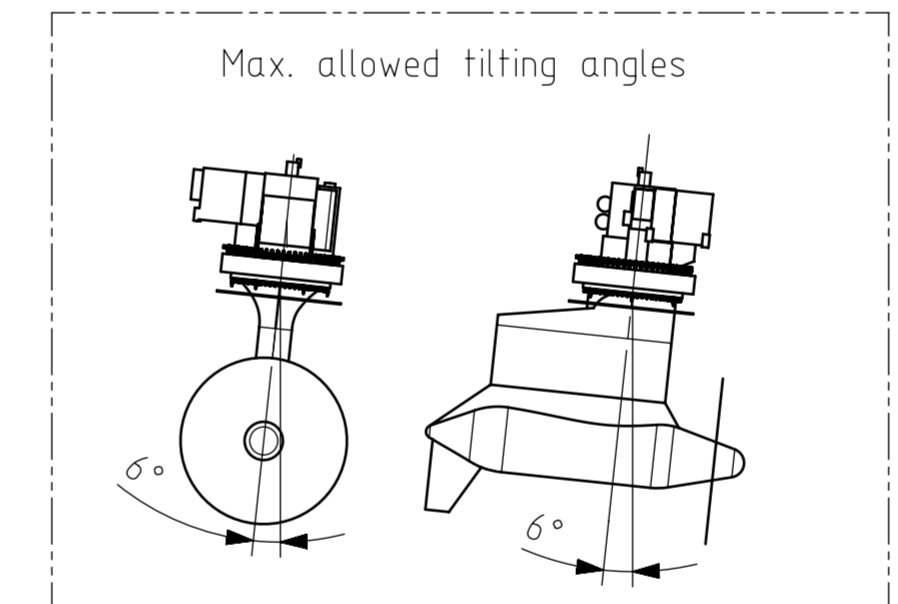
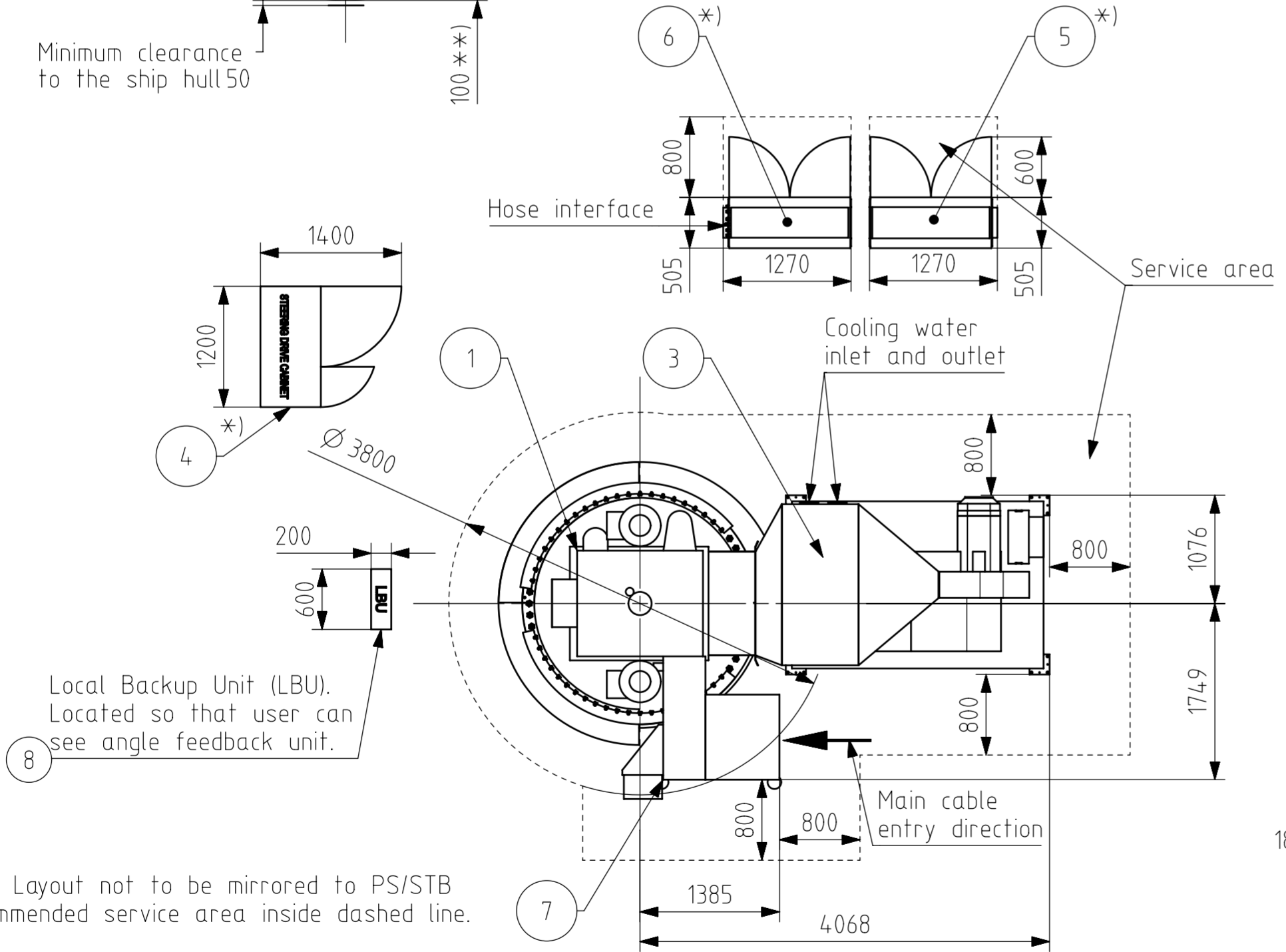
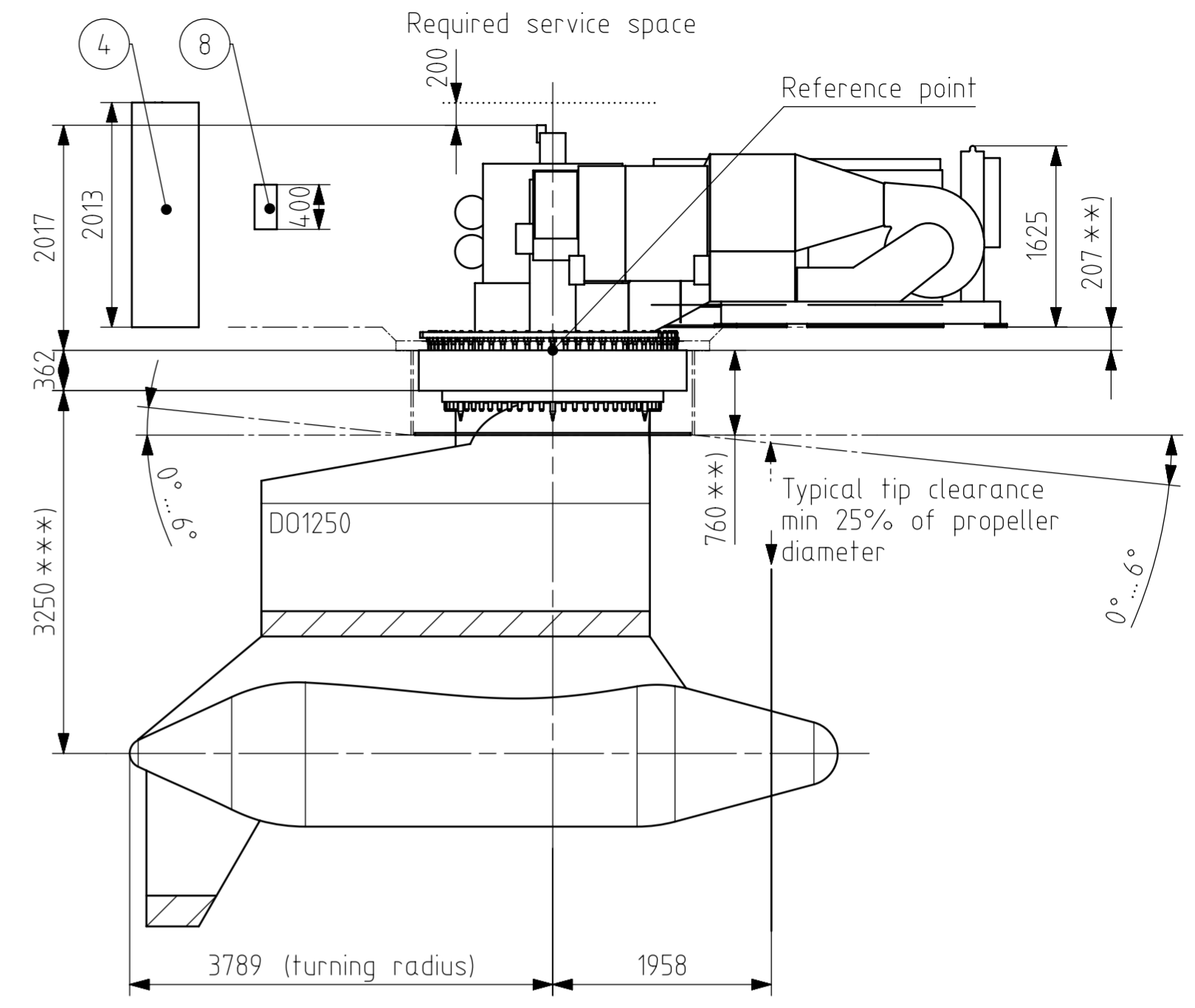
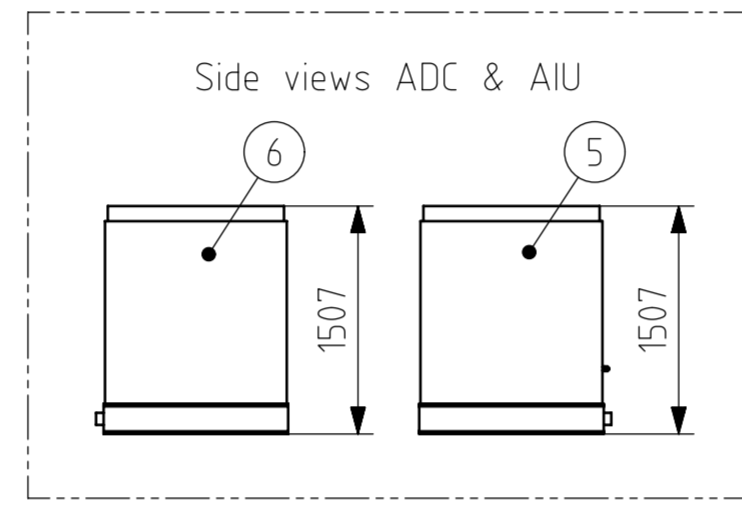


We reserve all rights in this document and in the information contained therein. Reproduction, use or disclosure to third parties without express or implied consent of ABB is prohibited. In case of interpretation disputes the English text applies.
 Unless otherwise stated:
 General tolerances for welded constructions: EN ISO 9920-BF
 EN ISO 9920-BF
 EN ISO 9920-BF
 Stamped steel parts: DIN 6930-m, Thermal cut ISO 9013-331
 Symbols for roughness according to ISO 3302
 Unless otherwise stated:
 General tolerances for castings: ISO 2768-mk
 EN ISO 2768-mk
 Symbols for roughness according to ISO 3302

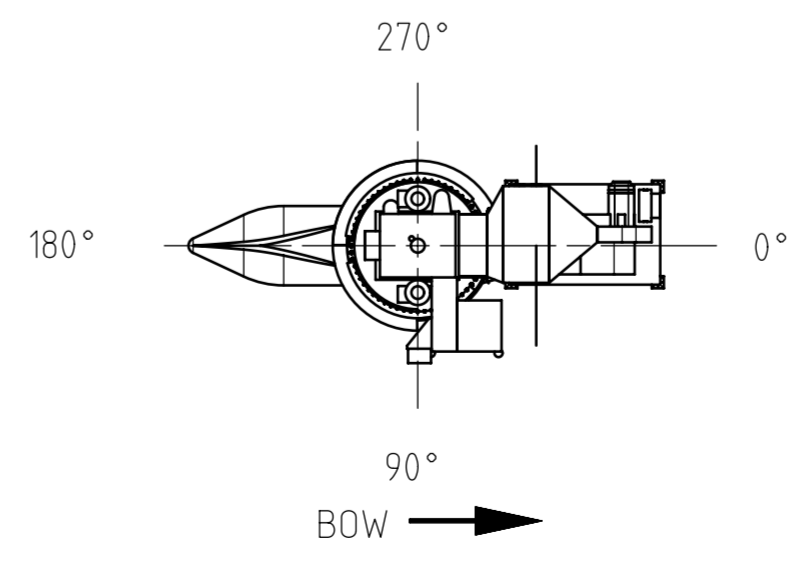


**) Consult Azipod Sales for other heights
 ***) Available Strut heights:
 3250mm
 Consult Azipod Sales for other heights



PRELIMINARY
 Not to be used
 for construction.

Mounting angle for steering module and CAU can be selected freely in 90° steps. 0° is standard.



Number	Part	Weight [kg]
1	Steering module	10000
2	Propulsion module	37000
3	Cooling air unit (CAU)	2200
4	Steering drive cabinet	500
5	Azipod interface unit (AIU)	440
6	Auxiliary device cabinet (ADC)	460
7	Junction box (JB1)	560
8	Local Backup Unit	30

Note! Layout not to be mirrored to PS/STB Recommended service area inside dashed line.

*) AIU and steering drive cabinets can be located freely inside Azipod room.
 ADC cabinet can be located freely inside Azipod room as long as it is horizontally less than 5m from steering module and Max. vertical distance from shaftline to ADC cabinet is less than 6m.

Created 2019-08-06	Partanen, Milla	Document kind 27	Title MAIN DIMENSIONS	Scale 1:50
Reviewed 2019-11-20	Raila, Ville-Pekka	Responsible department VAX	Machine Type AZIPOD D01250A-S2000	Language EN
Approved 2019-11-20	Ruyck, Kasper De.	Based on		Size A2
Security level Internal	Our reference	Weight kg	Document id 3AFV3502776	Revision A
ABB Marine & Ports		Revision A		Sheet 1/1