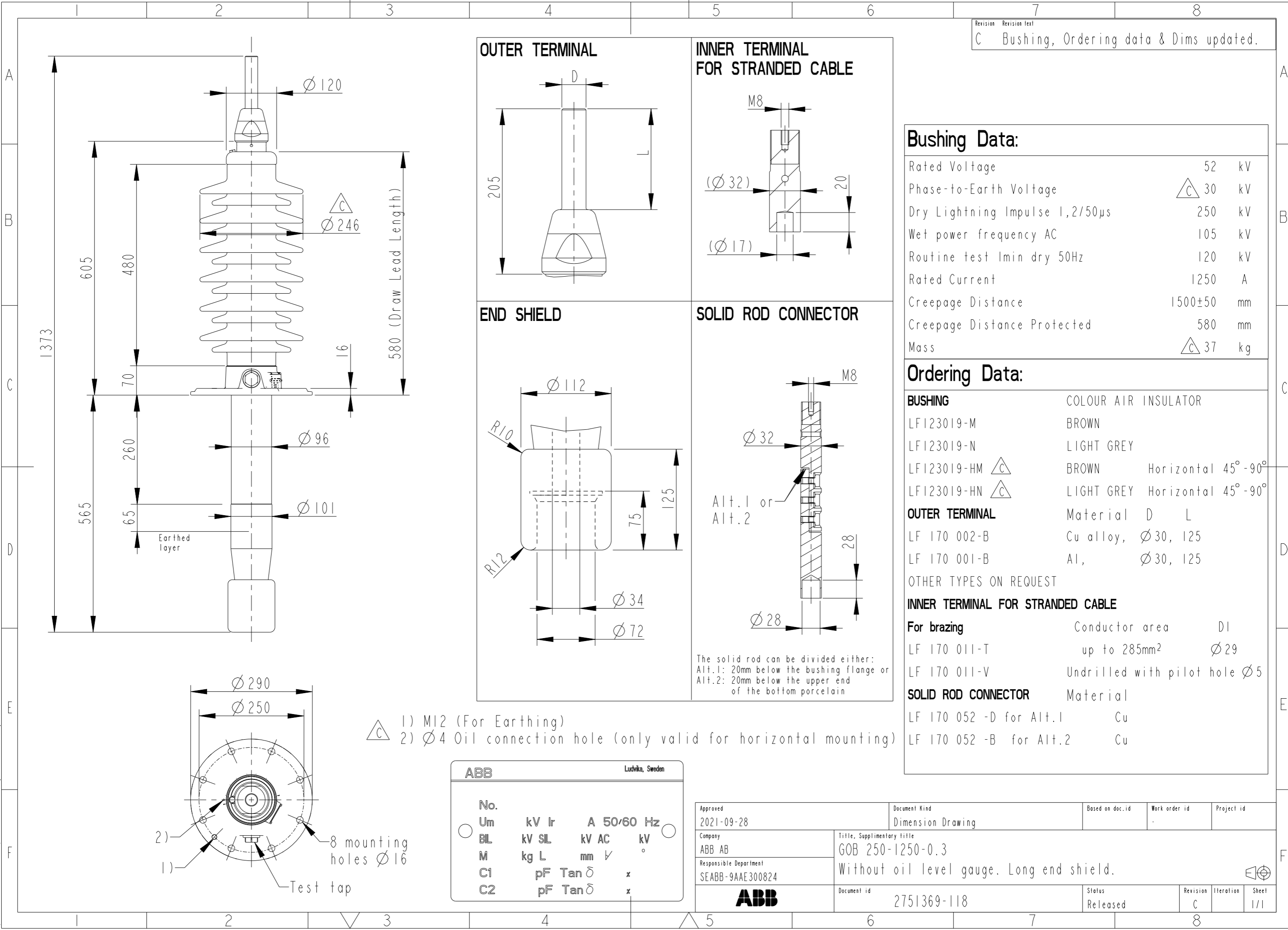


This document is issued by means of a computerized system. The digitally stored original is electronically approved. The approved document has a date entered in the "Approved"-field. A manual signature is not required.

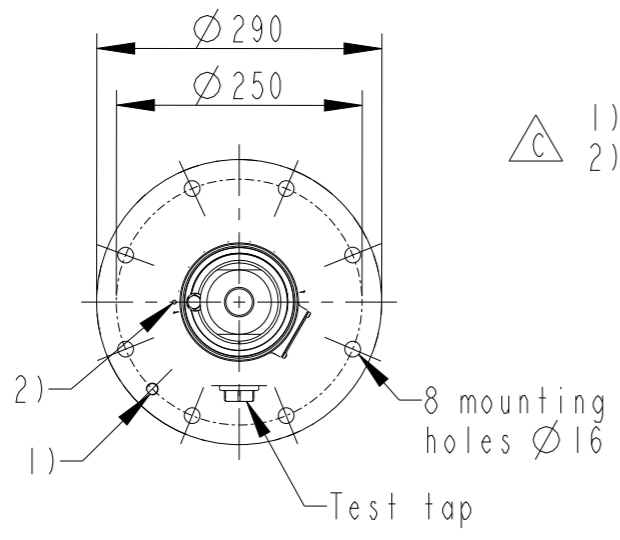
We reserve all rights in this document and in the information contained therein. Reproduction, use or disclosure to third parties without express authority is strictly forbidden.



Revision	Revision text
C	Bushing, Ordering data & Dims updated.

Bushing Data:		
Rated Voltage	52	kV
Phase-to-Earth Voltage	$\triangle C$ 30	kV
Dry Lightning Impulse 1,2/50 μ s	250	kV
Wet power frequency AC	105	kV
Routine test Imin dry 50Hz	120	kV
Rated Current	1250	A
Creepage Distance	1500 \pm 50	mm
Creepage Distance Protected	580	mm
Mass	$\triangle C$ 37	kg

Ordering Data:		
BUSHING	COLOUR AIR INSULATOR	
LF123019-M	BROWN	
LF123019-N	LIGHT GREY	
LF123019-HM $\triangle C$	BROWN	Horizontal 45°-90°
LF123019-HN $\triangle C$	LIGHT GREY	Horizontal 45°-90°
OUTER TERMINAL	Material D L	
LF 170 002-B	Cu alloy, ϕ 30, 125	
LF 170 001-B	Al, ϕ 30, 125	
OTHER TYPES ON REQUEST		
INNER TERMINAL FOR STRANDED CABLE		
For brazing	Conductor area	D1
LF 170 011-T	up to 285mm ²	ϕ 29
LF 170 011-V	Undrilled with pilot hole ϕ 5	
SOLID ROD CONNECTOR	Material	
LF 170 052 -D for Alt.1	Cu	
LF 170 052 -B for Alt.2	Cu	



- $\triangle C$ 1) M12 (For Earthing)
- 2) ϕ 4 Oil connection hole (only valid for horizontal mounting)

ABB		Ludvika, Sweden	
No.	Um	kV Ir	A 50/60 Hz
\circ	BIL	kV SIL	kV AC
M		kg L	mm \checkmark
C1		pF Tan δ	x
C2		pF Tan δ	x

Approved 2021-09-28	Document Kind Dimension Drawing	Based on doc.id	Work order id	Project id
Company ABB AB	Title, Supplementary title GOB 250-1250-0.3			
Responsible Department SEABB-9AAE300824	Without oil level gauge. Long end shield.			
ABB	Document id 2751369-118	Status Released	Revision C	Iteration 1/1