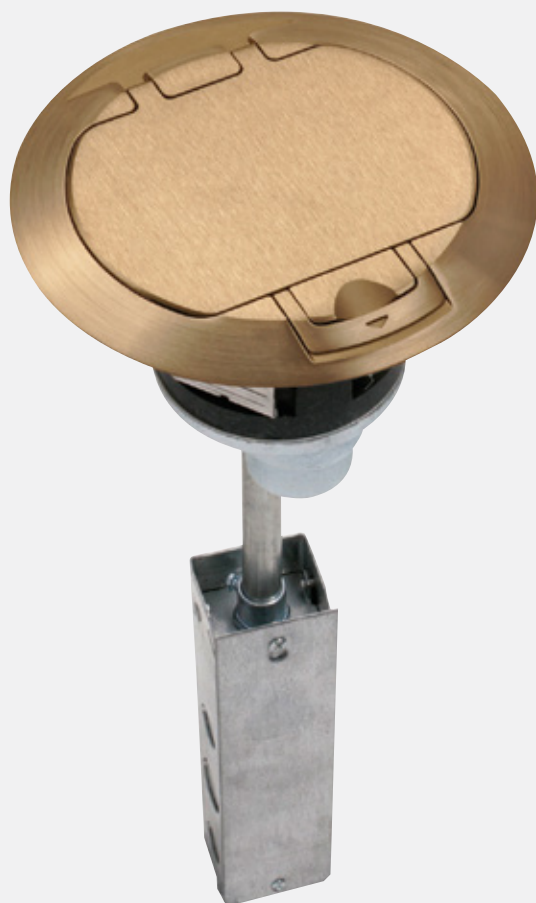

PRODUCT SHEET

Steel City® FPT4 series poke-through system

Updated cover design for FPT4 series poke-through system



Steel City® FPT4 series poke-through system

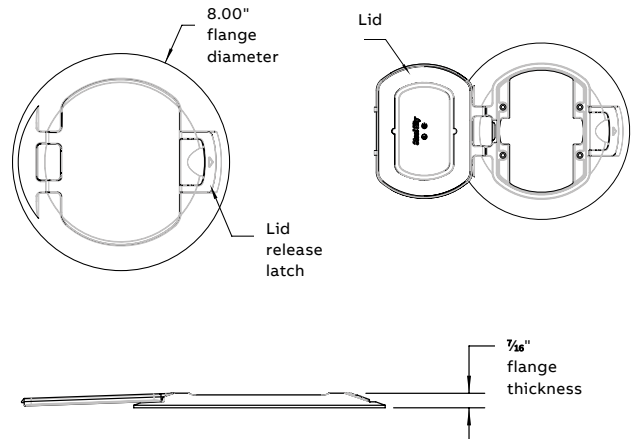
Updated cover design for FPT4 series poke-through system



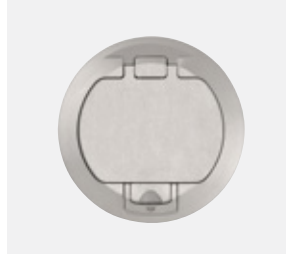
FPT4 series poke-through

- Convenient slide latch provides tool-less access to devices
- Upgraded hinge design allows lid to lie flat while in use to minimize obstructions above floor level
- Solid brass and aluminum for superior durability

Diagrams



Old cover design



Updated cover design

FPT4 series poke-through system

| Description | Old cat. no. | Old UPC no. | New cat. no. | New UPC no. |
|--|----------------|--------------|-----------------|--------------|
| Complete poke-through units | | | | |
| 4" Poke-through, 4 power, 4 communications, brass cover | FPT4-4P-4C-BRS | 785991-04277 | FPT4-4P-4C-TBRS | 785991-05671 |
| 4" Poke-through, 4 power, 4 communications, aluminum cover | FPT4-4P-4C-ALM | 785991-04278 | FPT4-4P-4C-TALM | 785991-05672 |
| 4" Poke-through, 4 power, 4 communications, aluminum cover with black powder-coat finish | FPT4-4P-4C-BLK | 785991-04279 | FPT4-4P-4C-TBLK | 785991-05673 |
| Covers only | | | | |
| Poke-through cover, brass | FPT4-CVR-BRS | 785991-04295 | FPT4-CVR-TBRS | 785991-06120 |
| Poke-through cover, aluminum | FPT4-CVR-ALM | 785991-04296 | FPT4-CVR-TALM | 785991-05674 |
| Poke-through cover, aluminum with black power-coat finish | FPT4-CVR-BLK | 785991-04297 | FPT4-CVR-TBLK | 785991-05675 |
| Poke-through cover, aluminum with beige power-coat finish | FPT4-CVR-BGE | 785991-04299 | FPT4-CVR-TBGE | 785991-05678 |
| Poke-through cover, aluminum with brown power-coat finish | FPT4-CVR-BRN | 785991-04300 | FPT4-CVR-TBRN | 785991-05676 |

ABB Installation Products Inc.
 Electrification Products Division
 860 Ridge Lake Blvd.
 Memphis, TN 38120

tnb.abb.com

We reserve the right to make technical changes or modify the contents of this document without prior notice. With regard to purchase orders, the agreed particulars shall prevail. ABB Inc. does not accept any responsibility whatsoever for potential errors or possible lack of information in this document.

We reserve all rights in this document and in the subject matter and illustrations contained therein. Any reproduction or utilization of its contents – in whole or in parts – is forbidden without prior written consent of ABB Inc.
 Copyright© 2018 ABB
 All rights reserved