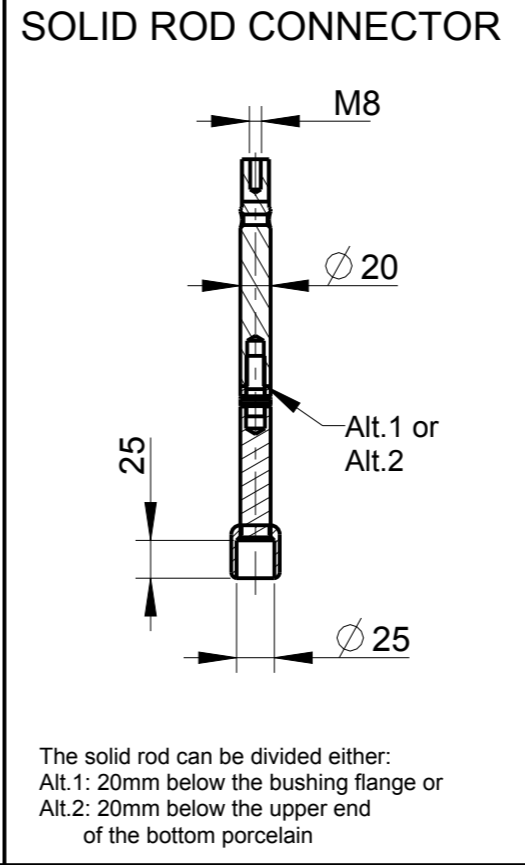
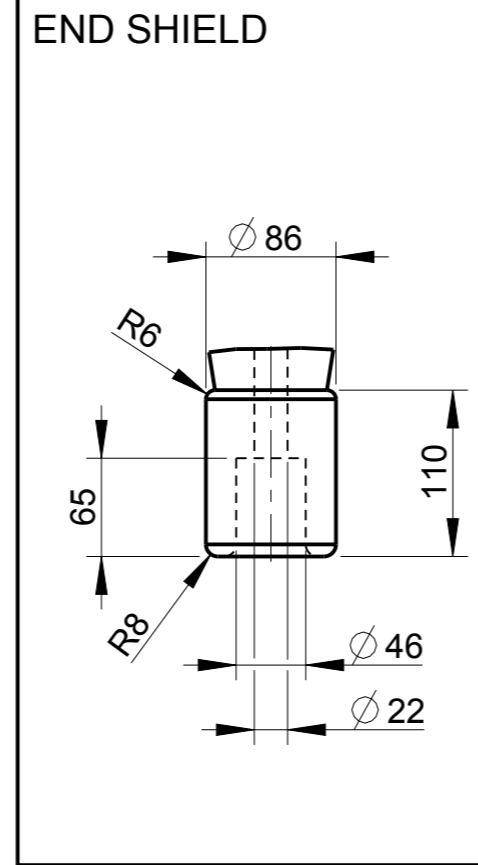
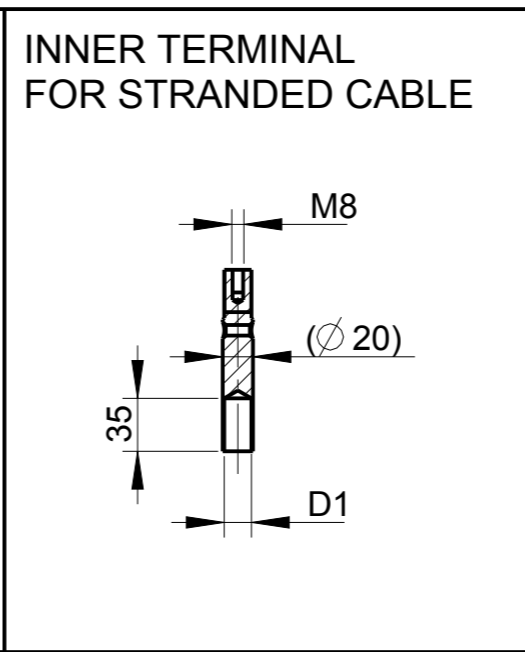
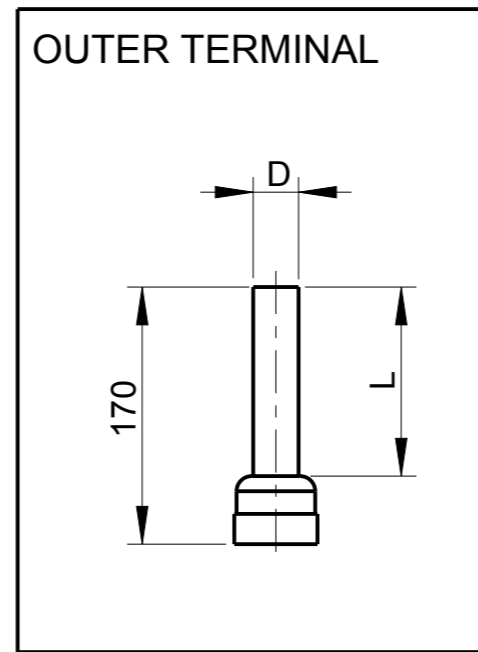
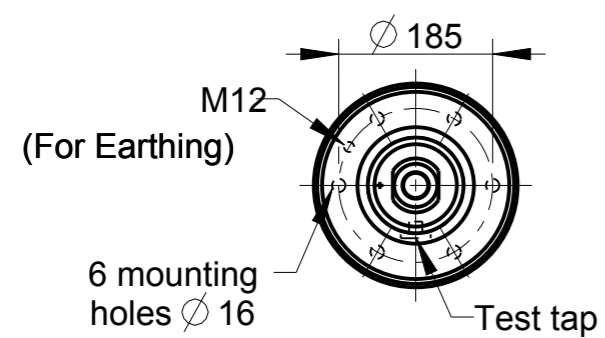
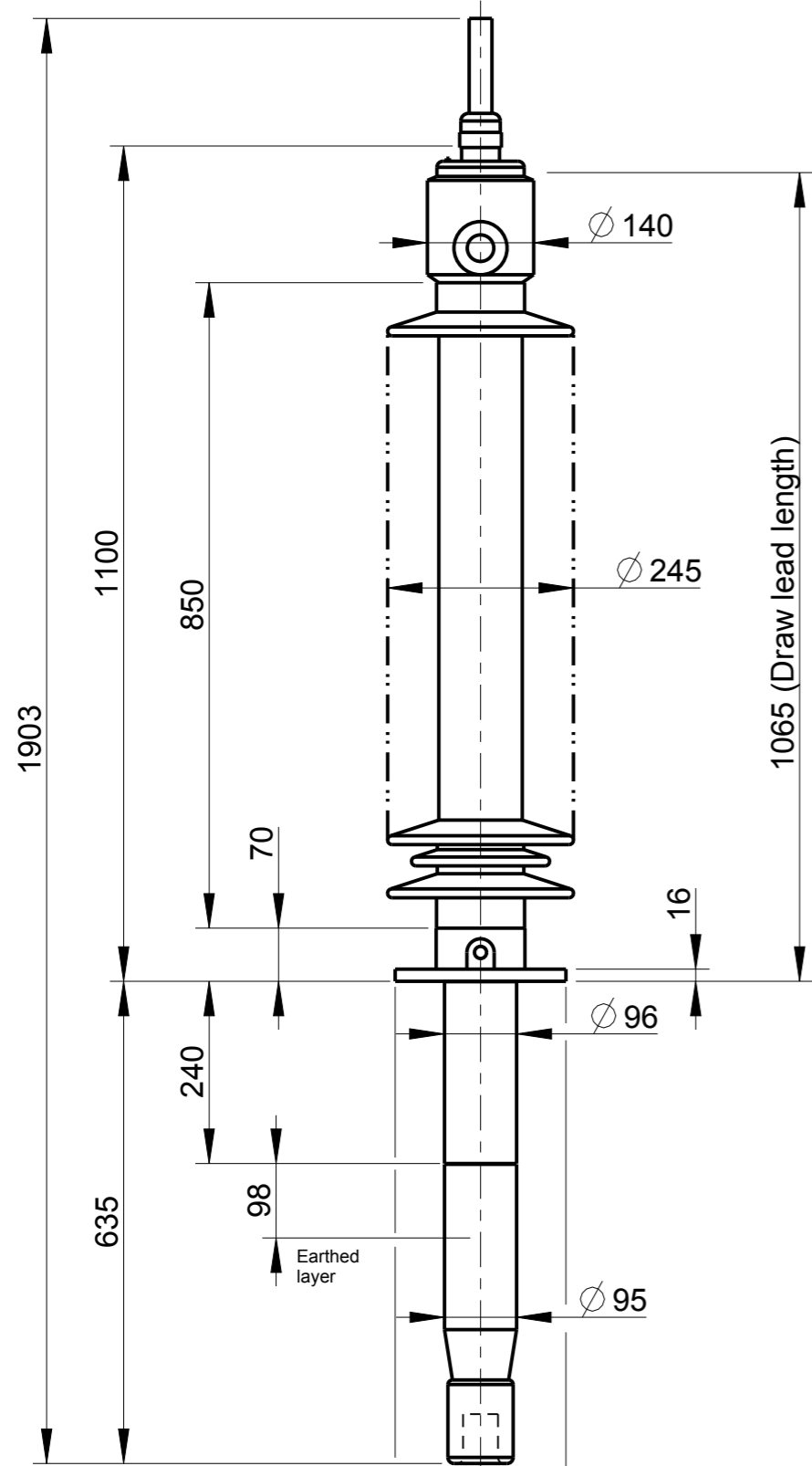


This document is issued by means of a computerized system. The digitally stored original is electronically approved. The approved document has a date entered in the "Approved"-field. A manual signature is not required.

The information contained in this document has to be kept strictly confidential. Any unauthorized use, reproduction, distribution or disclosure to third parties are strictly forbidden. ABB reserves all rights regarding Intellectual Property Rights. © Copyright 2013 ABB. All rights reserved.



The solid rod can be divided either:  
Alt.1: 20mm below the bushing flange or  
Alt.2: 20mm below the upper end of the bottom porcelain

Note:  
Mounting inclination 0-45°.  
△ For inclined and horizontal mounting, see Installation and Maintenance Guide.

Bushing Data:	
Rated Voltage	123 kV
Phase to Ground Voltage	90 kV
Dry Lightning Impulse 1,2/50µs	450 kV
Wet power frequency AC	185 kV
Routine test 1min dry 50Hz	195 kV
Rated Current	800 A
Creepage Distance	2720±80 mm
Creepage Distance Protected	1060 mm
Mass	46 kg

Ordering Data:	
BUSHING	COLOUR AIR INSULATOR
LF123147-M	BROWN
-N	LIGHT GREY
OUTER TERMINAL	Material D L
LF 170 002-A	Cu alloy, Ø 30, 125
LF 170 001-A	Al, Ø 30, 125
OTHER TYPES ON REQUEST	
INNER TERMINAL FOR STRANDED CABLE	
For brazing	Conductor area D1
LF 170 011-S	up to 150mm² Ø 18
LF 170 011-U	Undrilled with pilot hole Ø 5
For crimping or brazing	Conductor area D1
LF 170 010-M	50mm² Ø 11
LF 170 010-N	70mm² Ø 13
LF 170 010-L	95mm² Ø 15
SOLID ROD CONNECTOR	
Material	
LF 170 019 -BT for Alt.1	Cu
LF 170 019 -BU for Alt.2	Cu

ABB		Ludhla, Sweden	
No.	Um/Uy	kV Ir	A 50-60 Hz
BL	kV SL	kV AC	kV
M	kg L	mm V	°
C1	pF	Tan δ	x
C2	pF	Tan δ	x

Prepared	Responsible department	Title	Language
iladmin	2008-04-30	PPCO/BK	
Modified by	Take over department	WITH OIL LEVEL GAUGE LONG END SHIELD	Sheet no.
Palpandi K	2013-04-23		
Approved by	Used in product	Order	No. Shfts.
Niklas Olsson	2013-05-14		
Revision	Document no.		
B	Note added		2751369-202

