

INSTALLATION INSTRUCTIONS

ReliaGear® Merchandised lighting panelboards

ReliaGear® Merchandised lug kits for 400 A and 600 A
ReliaGear® lighting panelboards



These instructions describe the installation of a ReliaGear Merchandised lug kit into a ReliaGear 400 A or 600 A lighting panelboard. The catalog numbers and parts lists for the various kits available are found in tables 1 to 3.

Table 1. Parts list for 400 A standard pressure lug kit for 4–600 kcmil Cu/Al wire, catalog number MLA41.

Item #	Description	Part #	Qty.
1	Lug	252B1970G1	3
2	Nut, keps	N269P23B6	3
3	Shield insert	10081132P27	1
4	Screw, #10–32 x ¾	N722EP16006B6	4

Table 2. Parts list for 600 A standard pressure lug kit for 4–500 kcmil Cu/Al wire, catalog number MLA61.

Item #	Description	Part #	Qty.
1	Lug	331A1350G8	3
2	Nut, keps	N269P23B6	3
3	Shield insert	10081132P27	1
4	Screw, #10–32 x ¾	N722EP16006B6	4
6	Barrier, lug	569B695P9	1
7	Label	NP266887	1
8	Screw, #10–32 x ½	N667P16008B6	2

Table 3. Parts list for 400 A oversize pressure lug kit for 3/0–800 kcmil (main) and 4–600 kcmil (neutral) Cu/Al wire, catalog number MLA62.

Item #	Description	Part #	Qty.
1	Lug	192A7322G1	4
2	Nut, keps	N269P23B6	3
3	Shield insert	10081132P27	1
4	Screw, #10–32 x ¾	N722EP16006B6	4
5	Antiturn bracket	10081549P2	3

01 Attaching the shield insert to the shield for a main lug installation.

Installation



WARNING

Before attempting to install one of these kits, remove all power from the panelboard.

Use the following procedure to install a ReliaGear® Merchandised lug kit into a ReliaGear 400 A or 600 A lighting panelboard. Call-out numbers in the illustrations and numbers in brackets in the text refer to the item numbers in tables 1–3.

Figures 2–4 illustrate installation of kits MLA41, MLA61 and MLA62 respectively.

Preparing for installation, all kits

1. Remove the lug kit from its packaging and verify that all parts are present, as outlined on the packing list.
2. Remove the eight screws securing the shield to the panelboard interior. Lift off the shield and set it and the screws aside.

Lug installation

The lug installation procedure varies, depending on the type of kit to be installed.

MLA41 kit

This installation is illustrated in figure 2.

1. Place three lugs [1] in position on the interior bus studs and secure with three keps nuts [2] tightened to 100–120 in-lb.

MLA61 kit

This installation is illustrated in figure 3.

1. Place three lugs [1] on each stud on the connecting plates. Secure each lug with a keps nut [2] tightened to 100–120 in-lb.
2. Place the lug barrier [6] with label [7] on it with two screws [8] over the bus support.

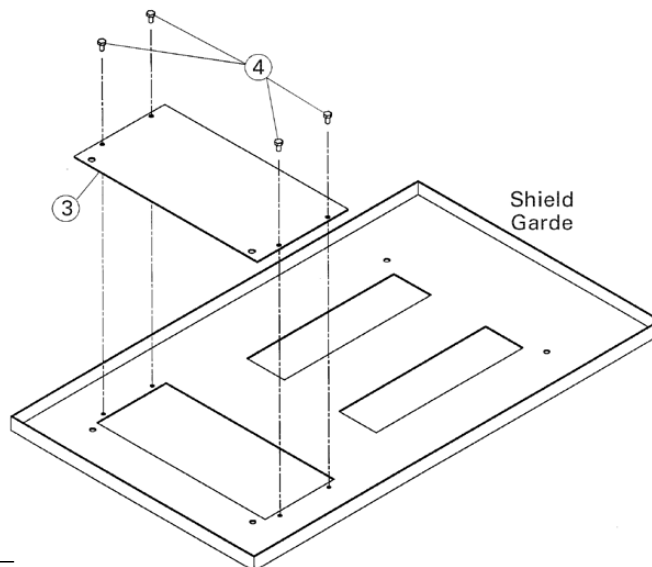
MLA62 kit

This installation is illustrated in figure 4.

1. Place antiturn brackets [5] on the studs and over the bus bars. Place three lugs [1] in position on the antiturn brackets. Secure with three keps nuts [2] tightened to 100–120 in-lb.
2. Remove the existing neutral lug and nut from the interior.
3. Place new lug [1] over the neutral studs and secure with keps nuts [2] tightened to 100–120 in-lb.

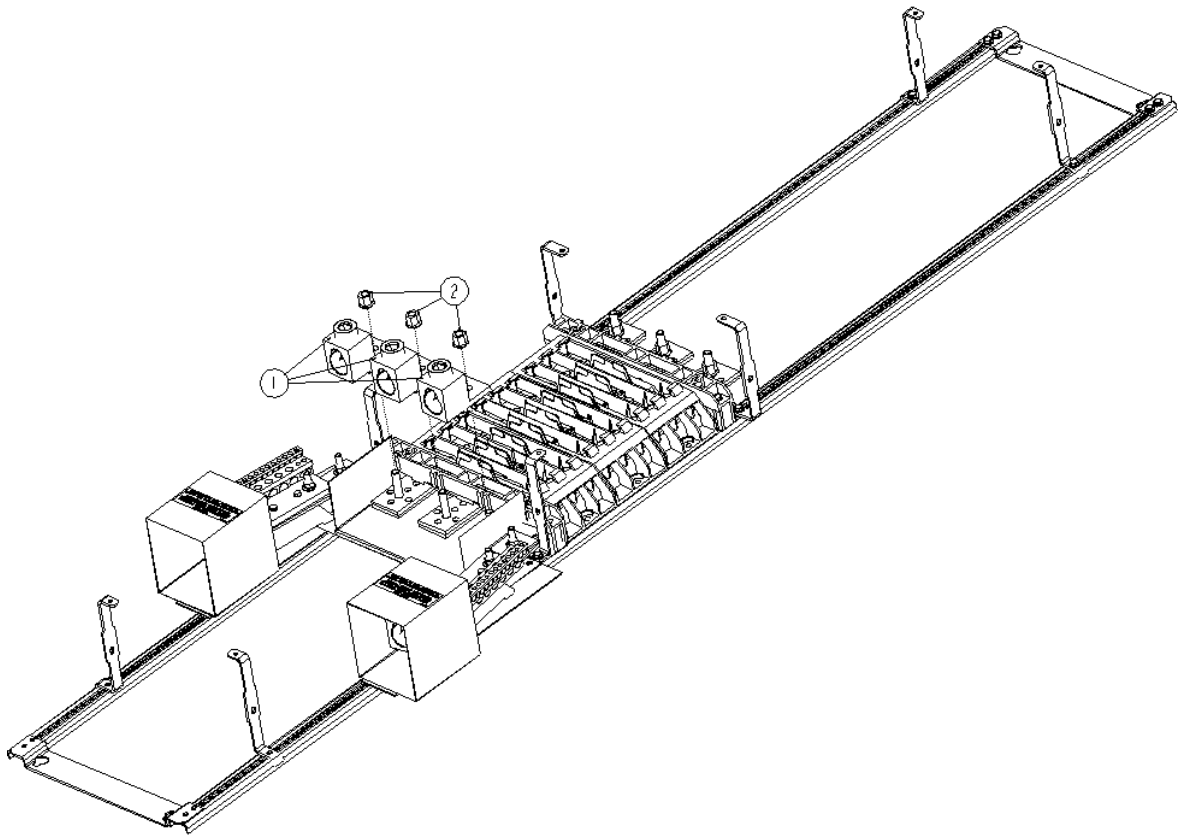
Completing the Installation

1. For a main lug installation, place the shield insert [3] over the shield so that the four same-size holes line up with the threaded holes in the shield, as illustrated in Figure 1. Fasten the shield insert to the shield with four #10-32 x 3/8 screws [4] tightened to 27–36 in-lb.
2. For a subfeed lug installation, leave the existing inserts as they are on the shield.
3. Reattach the shield to the interior with the eight screws removed in step 2.

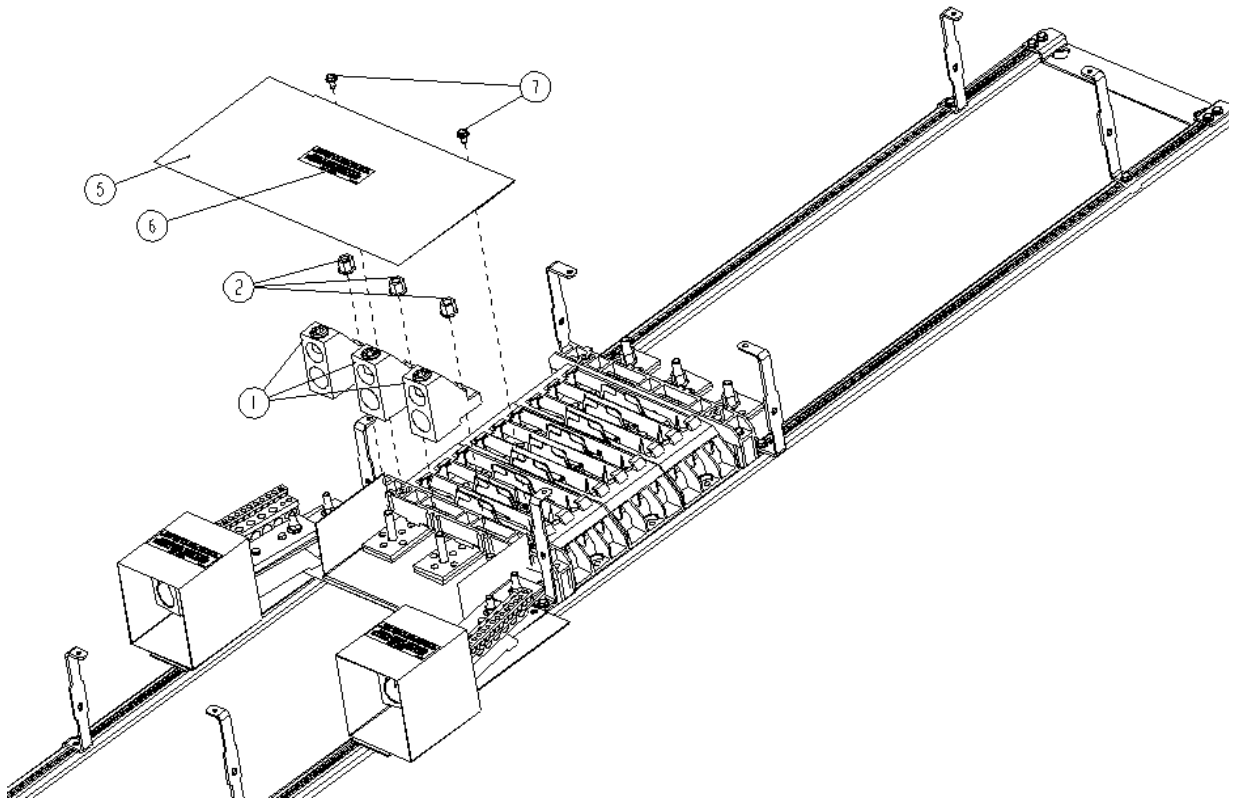


—
02 Installation of a ReliaGear® Merchandised lug kit, catalog number MLA41, into a ReliaGear 400 A or 600 A lighting panelboard.

—
03 Installation of a ReliaGear Merchandised lug kit, catalog number MLA61 into a ReliaGear 400 A or 600 A lighting panelboard.

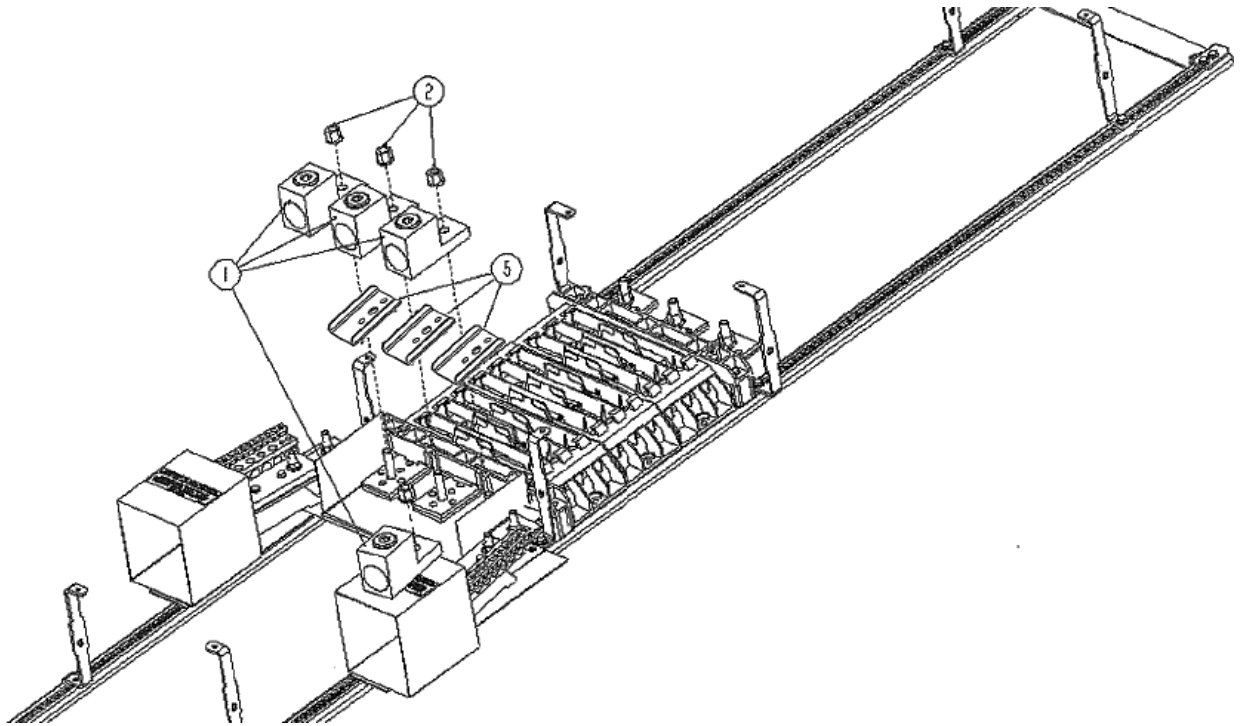


—
02



—
03

—
04 Installation of a ReliaGear® Merchandised lug kit, catalog number MLA62, into a ReliaGear 400 A or 600 A lighting panelboard.



—
04

—
ABB Inc.
305 Gregson Drive
Cary, NC 27511
electrification.us.abb.com

electrification.us.abb.com

—
We reserve the right to make technical changes or modify the contents of this document without prior notice. With regard to purchase orders, the agreed particulars shall prevail. ABB Inc. does not accept any responsibility whatsoever for potential errors or possible lack of information in this document.

—
We reserve all rights in this document and in the subject matter and illustrations contained therein. Any reproduction, disclosure to third parties or utilization of its contents – in whole or in parts – is forbidden without prior written consent of ABB Inc. Copyright© 2023 ABB
All rights reserved