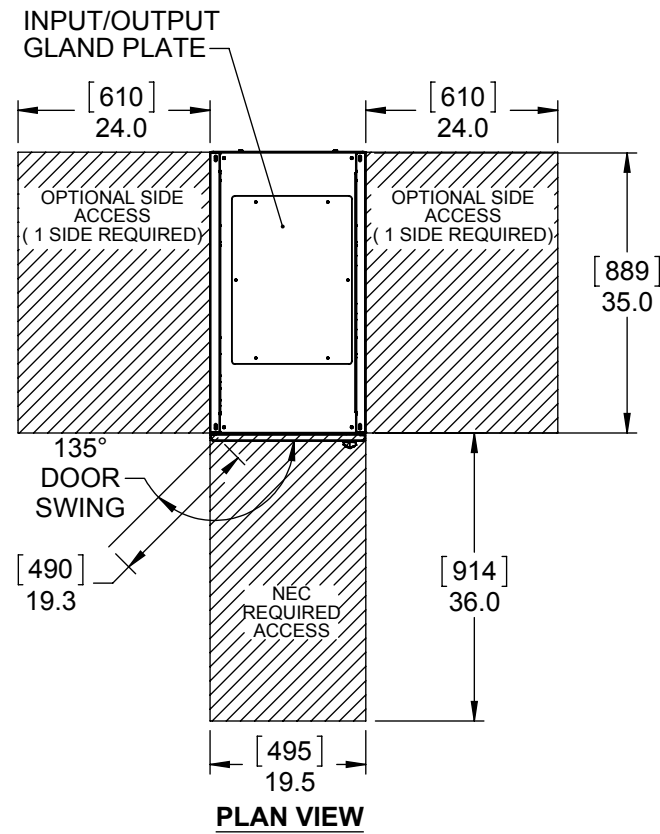


We reserve all rights in this document and in the information contained therein. Reproduction, use or disclosure to third parties without express authority is strictly forbidden. © Copyright 2014 ABB.

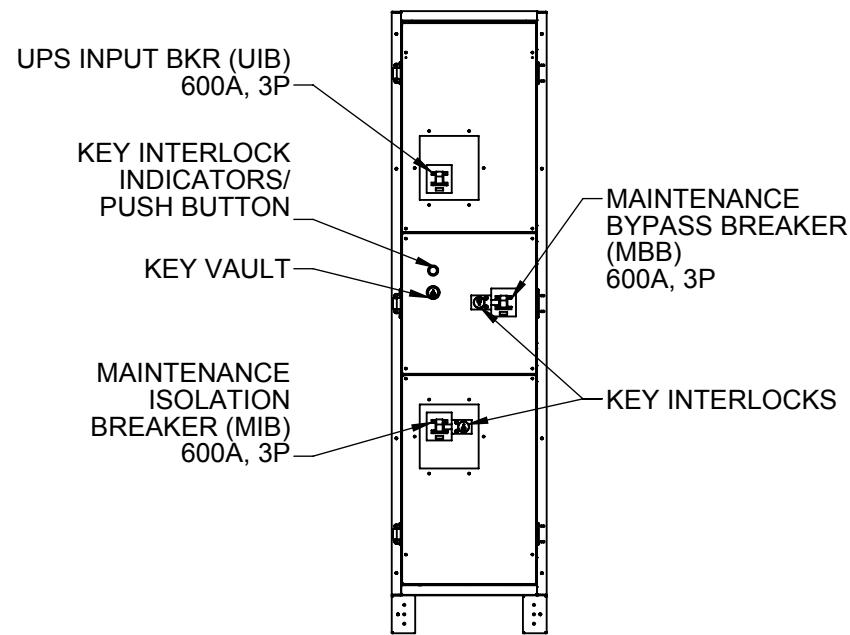
kW	VOLTAGE	INTERUPT RATING	BREAKER
120	208	65 kAIC	ABB T5N600BW
240	415	65 kAIC	ABB T5H600BW
300	480	65 kAIC	ABB T5H600BW
300	480	100 kAIC	ABB T5L600BW



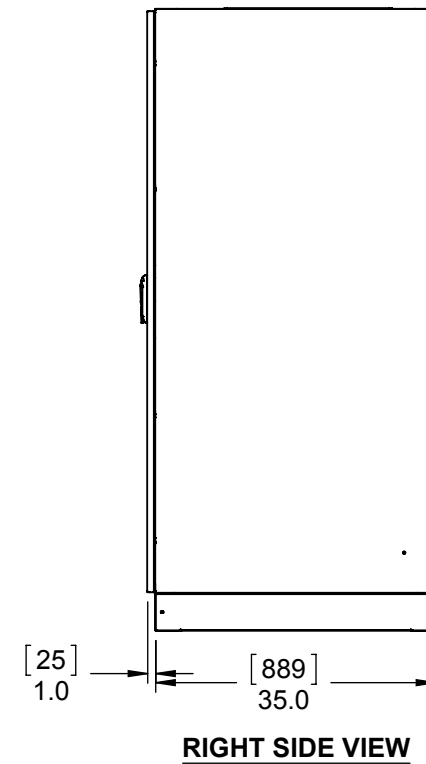
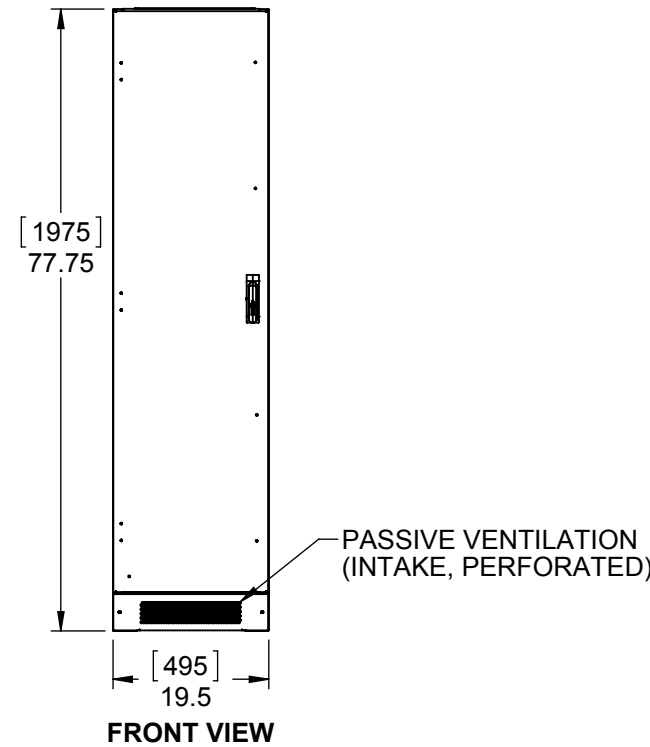
NOTES:

1. INSTALLATION SHALL COMPLY WITH ALL APPLICABLE NATIONAL, STATE, AND LOCAL CODES.
2. REFER TO PRODUCT DOCUMENTATION FOR ADDITIONAL DETAILS PRIOR TO SITE PREPARATION OR INSTALLATION.
3. CABINET CONSTRUCTION: NEMA 1 (IP20) ENCLOSURE, 14GA. STEEL FRAME, 16 GA. STEEL PANELS.
4. FINISH: OUTER PANELS AND DEADFRONTS: POWDER COAT, MINDNIGHT BLACK WRINKLE.
REAR PANEL: GALVANIZED ZINC ELECTROPLATE.
5. TOTAL WEIGHT: 450 LB (226 kg).
6. TOP OR BOTTOM CABLE ENTRY/EXIT.
7. FRONT AND SINGLE SIDE ACCESS REQUIRED FOR INSTALLATION, SERVICE, AND MAINTENANCE.
8. DO NOT BLOCK VENTILATION AREAS. MINIMUM 3" CLEARANCE TOP AND REAR.
9. BUSBAR TERMINALS FURNISHED WITH NEMA 2-HOLE LANDINGS, 1.75" SPACING, 1/2-13 UNC THREAD. SEE SHEET 2 FOR DETAILS.
10. OPERATING TEMPERATURE: 0°C TO 40°C.
11. DESIGNED FOR CABLE SIZES UP TO :

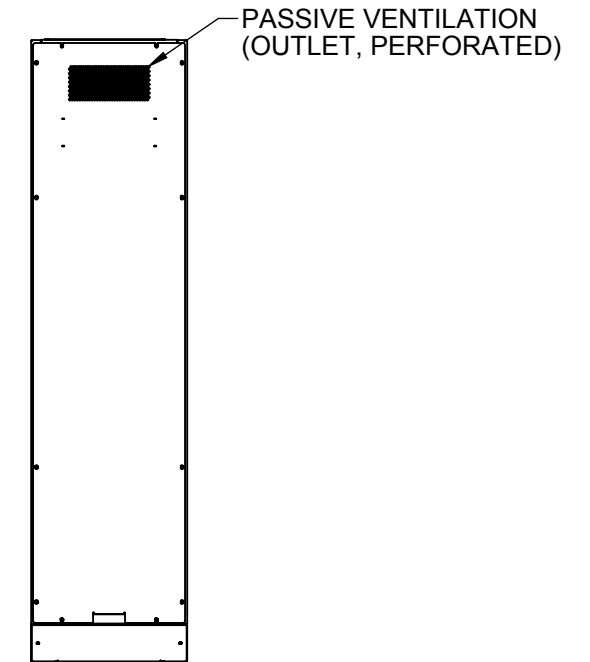
INPUT, OUTPUT: 3X 350 MCM (PER PHASE)
TO / FROM UPS: 3X 350 MCM (PER PHASE)
NEUTRAL: TOTAL 6X 350 MCM
GROUND: TOTAL 8X #4/0 AWG



FRONT VIEW
DOOR AND KICK PLATES REMOVED



RIGHT SIDE VIEW



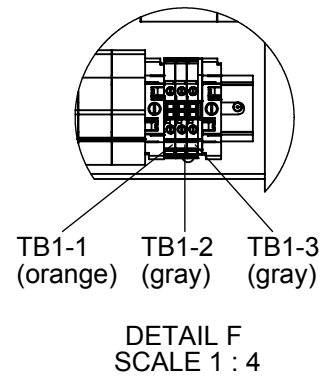
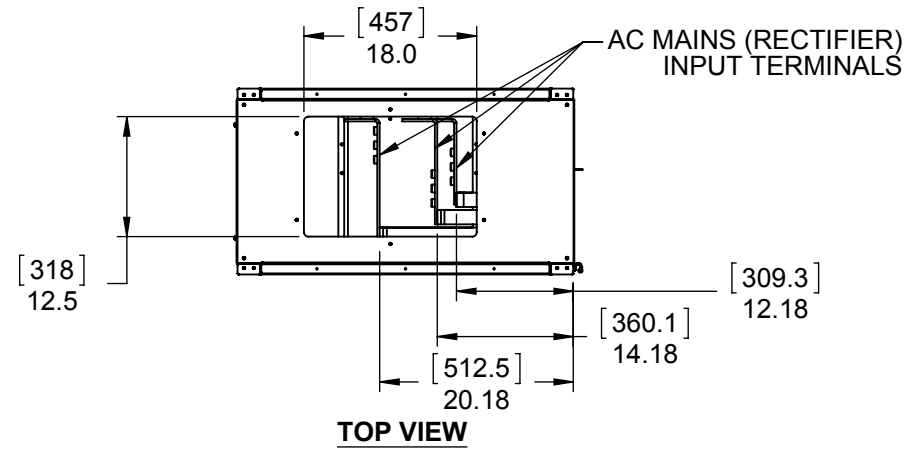
REAR VIEW

Rev.	ECN#	Resp.	Description	Date
A01		RAW	Corrected overall dimensions	11/21/2016
A00	--	RAW	Initial Release	02/10/2016

Revision Table

Material SEE NOTES	Finish POWDERCOAT - SEE NOTES	Prepared R. WADDELL	Title MECHANICAL OUTLINE Conceptpower DPA Bypass Cabinet 120-300kW, 208-480VAC, UL Listed	Units Inch	Sheet Size B	Scale 1:24	
Tolerances	Unless Otherwise Specified: Inside bend radius .030 max. Remove all burrs and sharp edges.	Approved C. BELCASTRO	ABB Document Kind DetailDrawing	Item ID 94-9200-00000018	Item Rev. A01	Date Drawn 2/14/2016	
	Part must comply with company document 94-10-000001. Interpret drawing in accordance with ASME Y14.5-2009.	Division/Dept. DMPC/Power Protection		Document ID 94-9200-00000018	Doc. Rev. A01	Page 1 / 2	

We reserve all rights in this document and in the information contained therein. Reproduction, use or disclosure to third parties without express authority is strictly forbidden. © Copyright 2014 ABB



- NOTES:**
- INSTALLATION SHALL COMPLY WITH ALL APPLICABLE NATIONAL, STATE, AND LOCAL CODES.
 - REFER TO PRODUCT DOCUMENTATION FOR ADDITIONAL DETAILS PRIOR TO SITE PREPARATION OR INSTALLATION.

