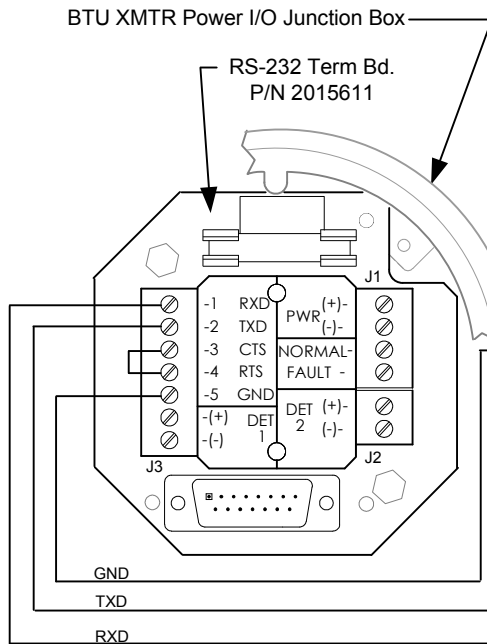


NOTES:

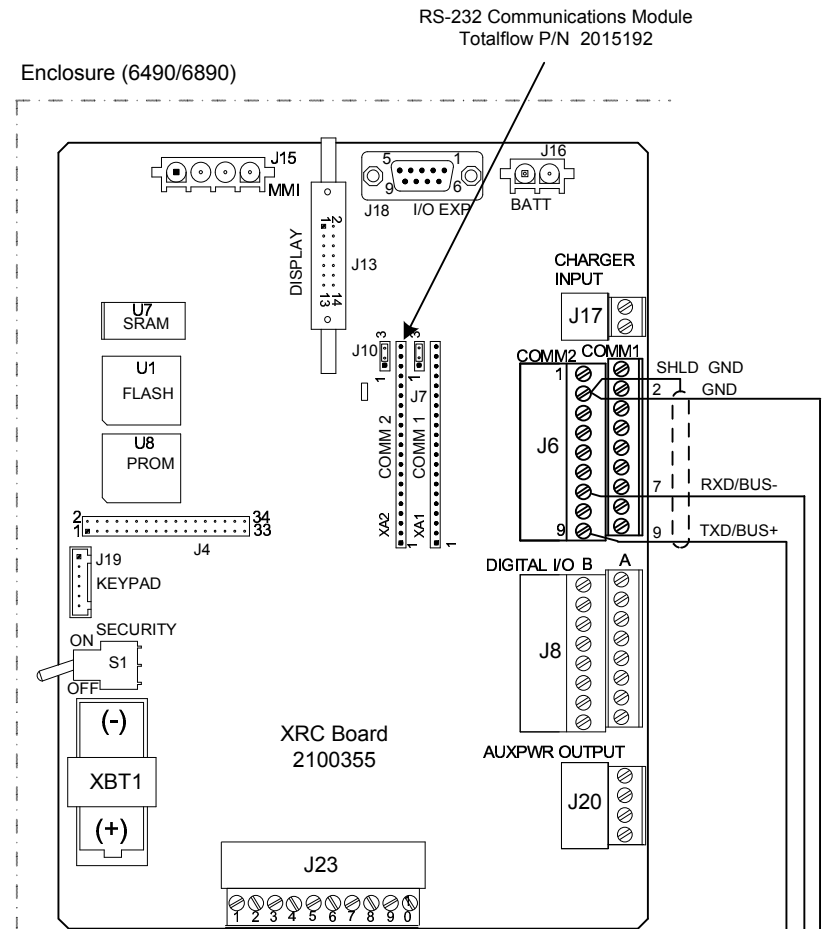
1. Prior to any installation in a classified hazardous location, verify installation methods by the Control Drawing referenced on the product's name tag.
2. To access termination board, remove Power I/O Junction Box front cover.



Sealed Conduit Fittings
Or
Approved Cable Fittings

Hazardous Area

Non-Hazardous Area



REF: 2012658-WI

	TOTALFLOW Products	ACTION L17575	DOC TYPE UD	TITLE BTU 8000\8100 TO XRC (2100355 BD) 6490/6890 COMM2 (RS-232)	DWG NO. 2102271	REV AA	SHEET 1 OF 1