

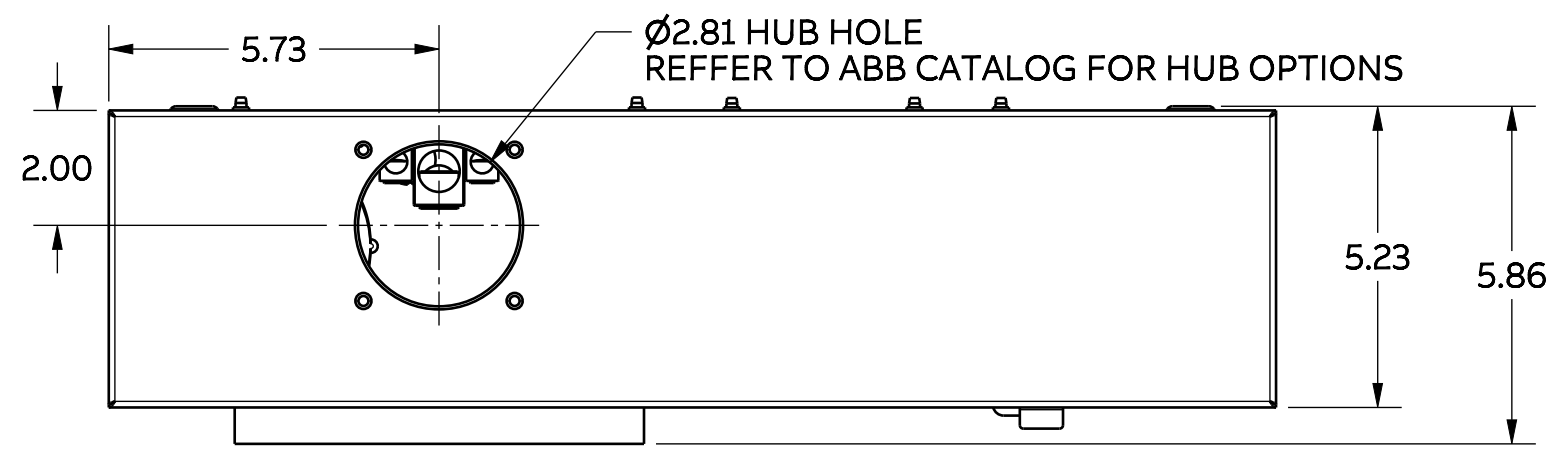
14

13

12

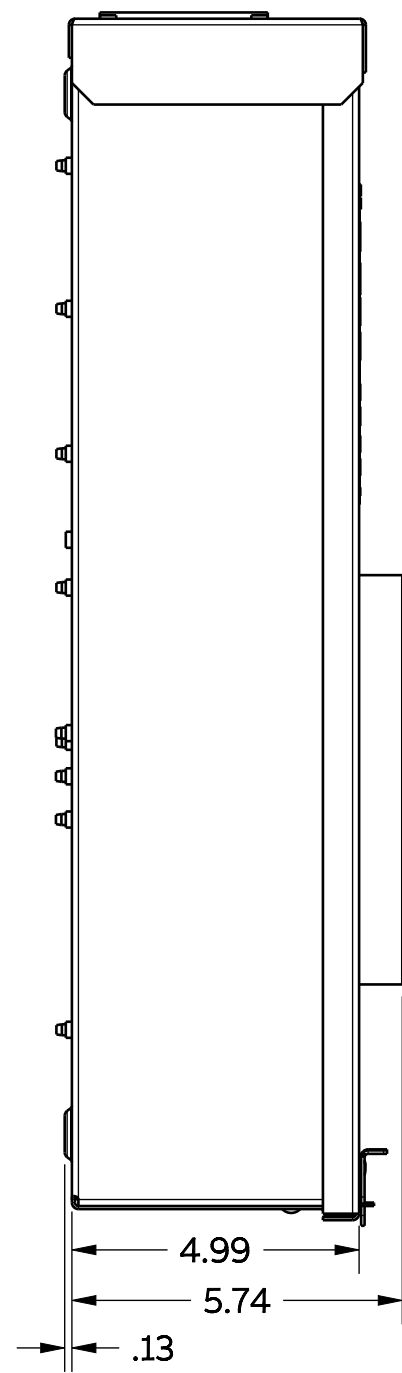
11

KNOCKOUT TABLE		
ITEM	DESCRIPTION	QTY
A	1/2" KO	3
B	1/2" X 3/4" X 1" KO	2
C	1/2" X 3/4" X 1" X 1-1/4" X 1-1/2" X 2" X 2-1/2" KO	4
D	1-1/4" X 1-1/2" X 2" X 2-1/2" X 3" KO	1

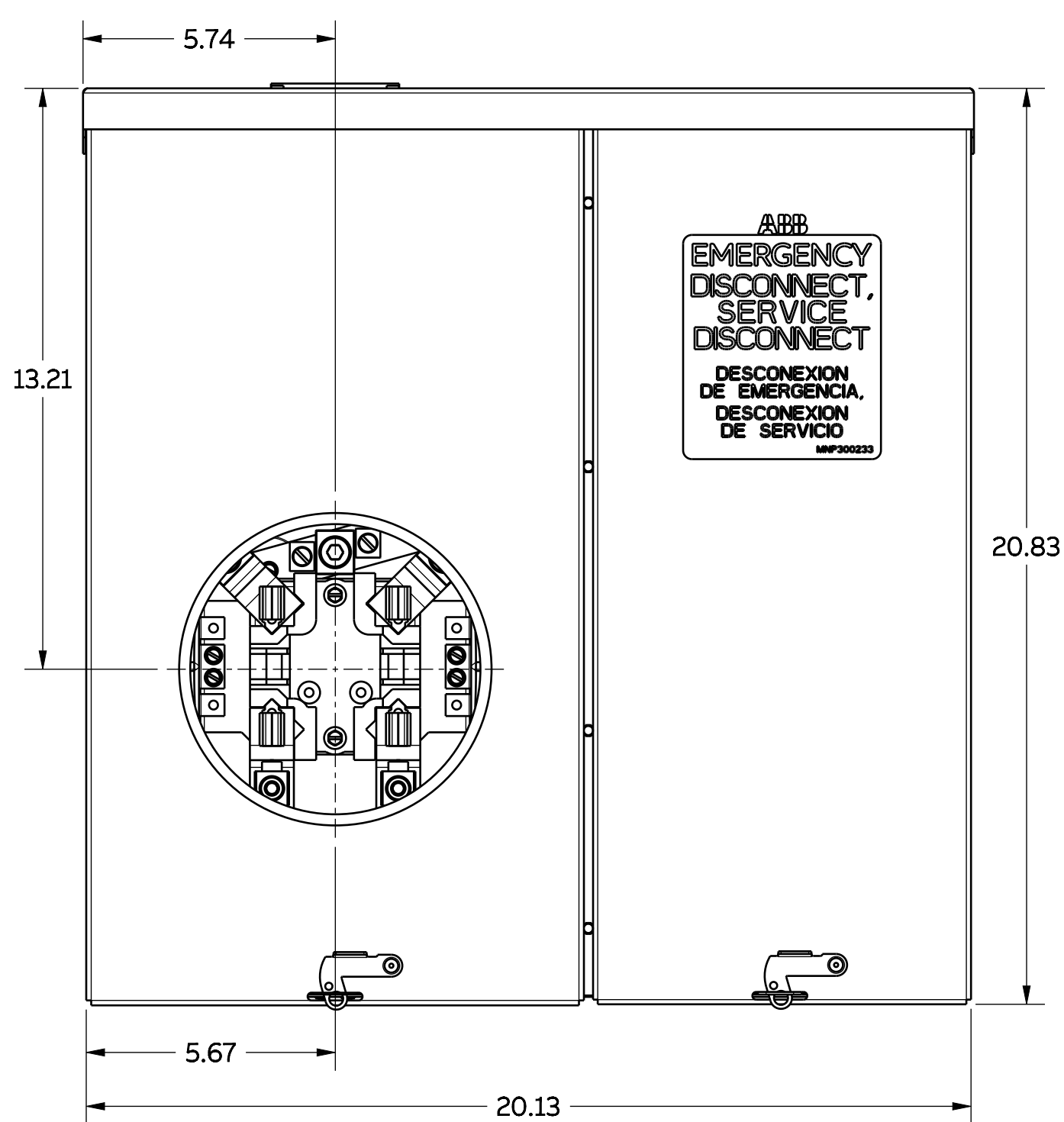


TOP VIEW

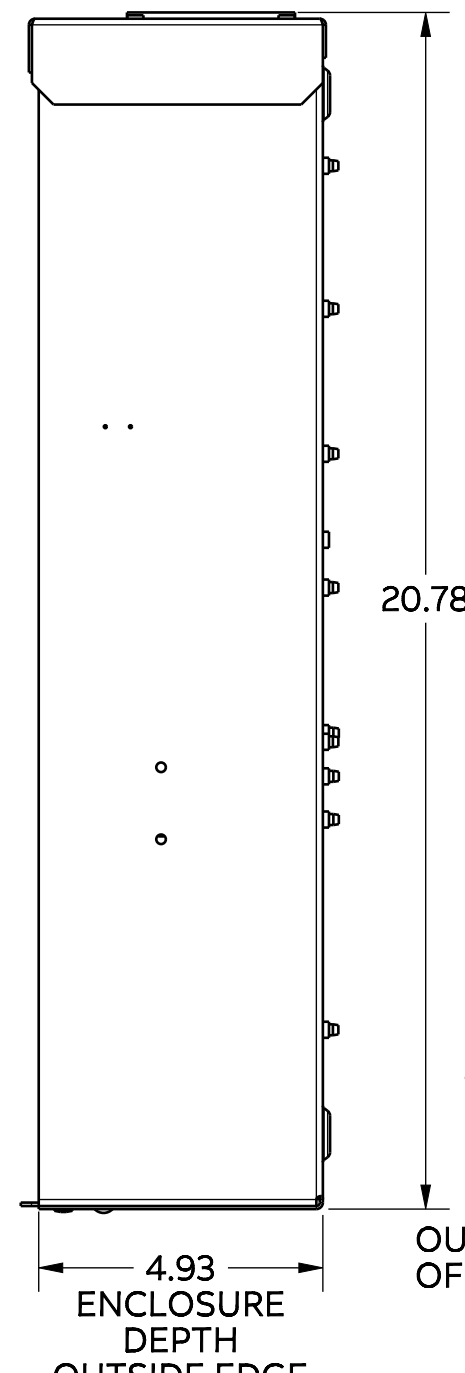
Ø.875 DIMLE UP  
Ø.25 HOLE  
FOR MOUNTING PURPOSES  
4 PLCS.



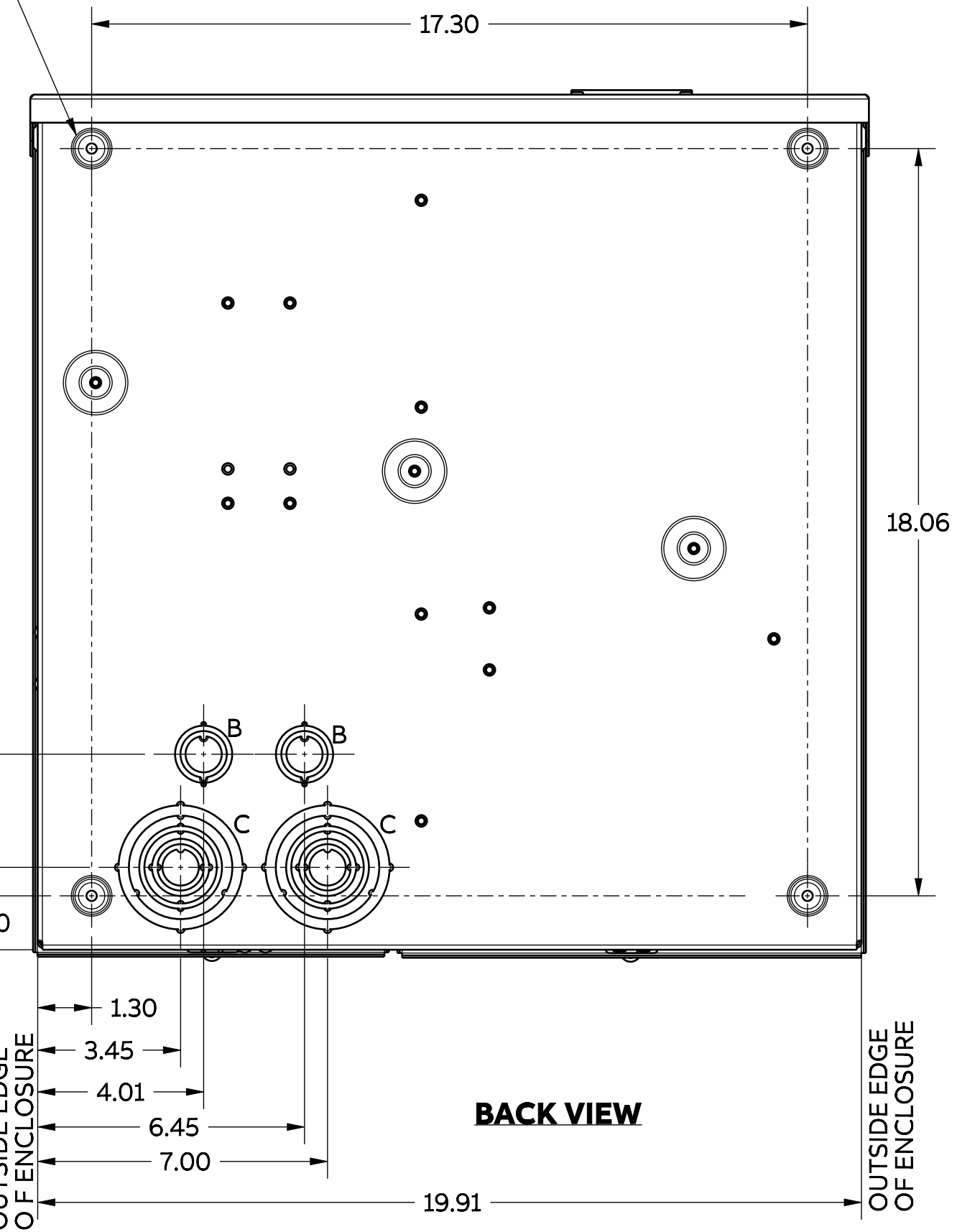
LEFT VIEW



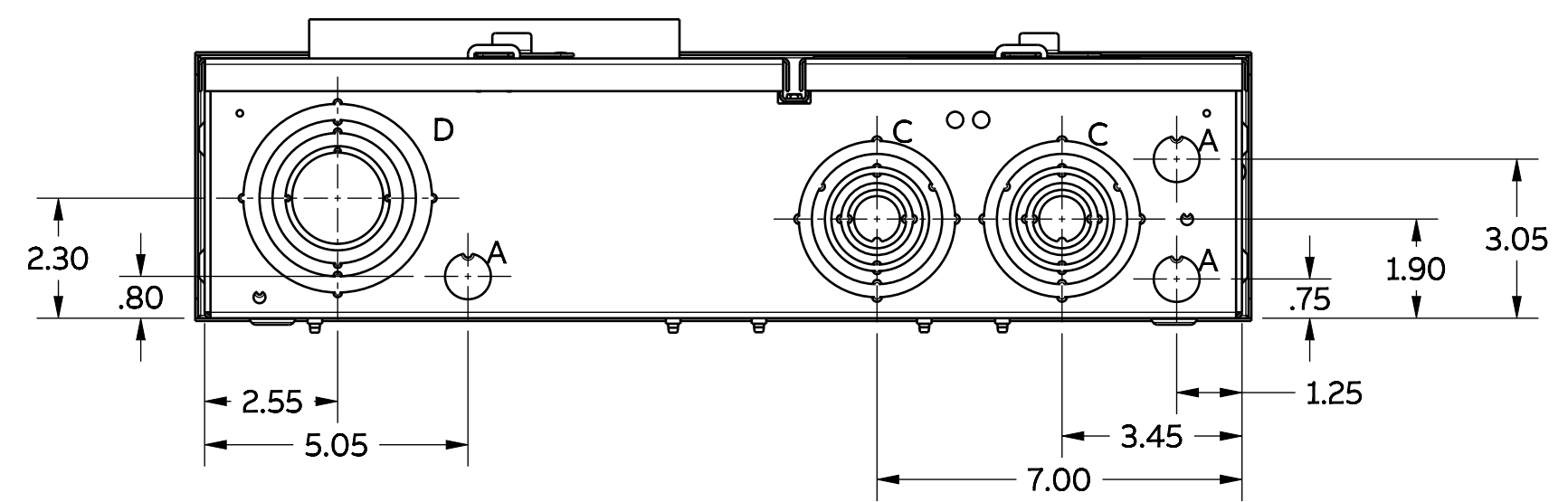
FRONT VIEW



RIGHT VIEW



BACK VIEW



BOTTOM VIEW  
(DIMENSIONS TO THE OUTSIDE EDGES OF THE ENCLOSURE)

**ABB**

**METER MAIN 125A MEG w/SPD  
OUTLINE DRAWING**

THIRD ANGLE	SHEET#	DWG NO.	DATE	REV
	1 of 2	PM12RLNCSSM01_OD	2026	A

14

13

12

11

24

23



22

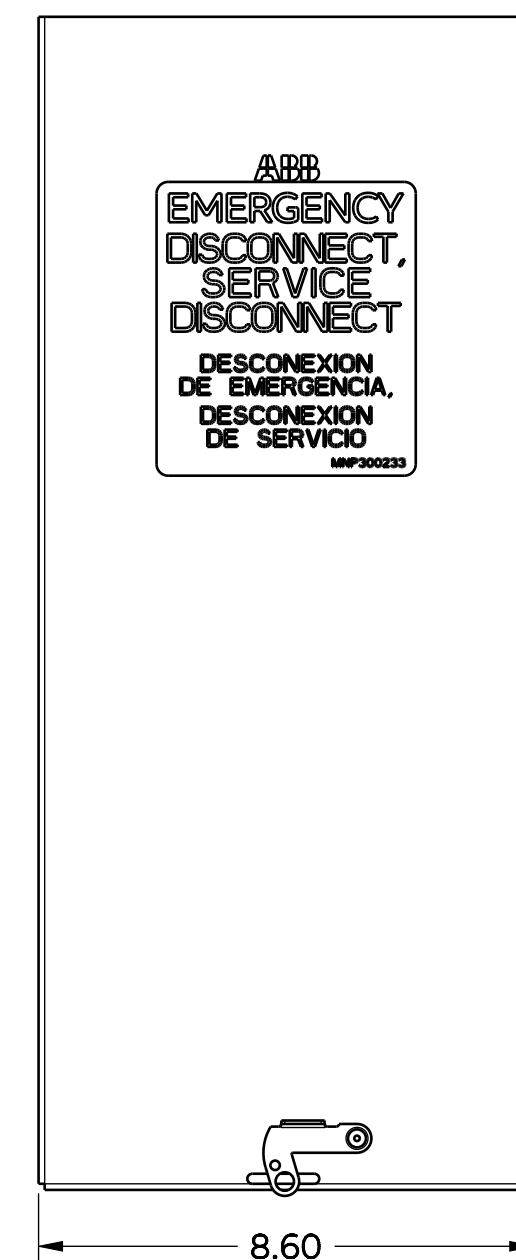
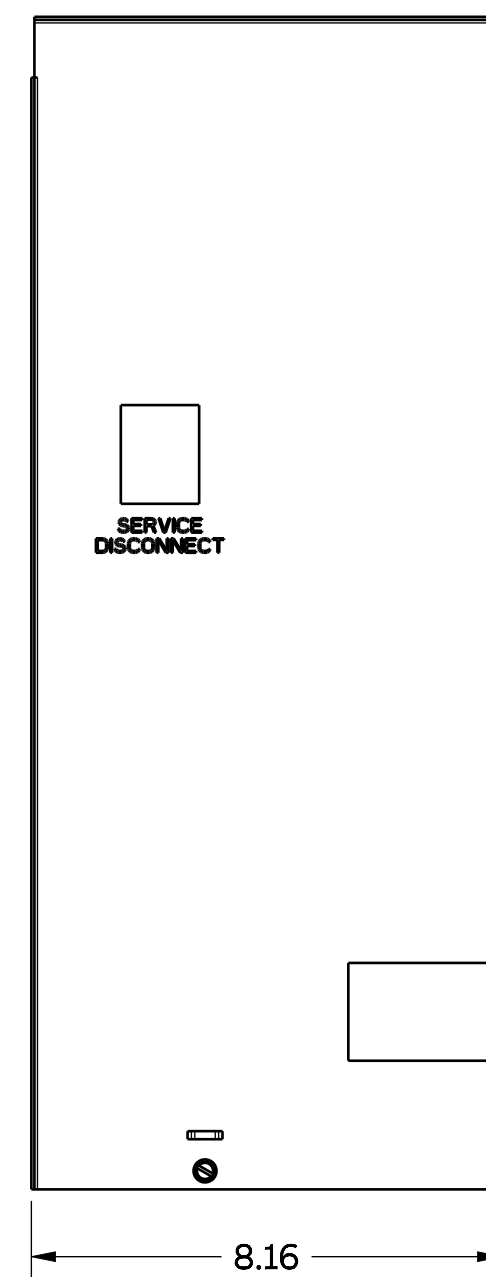
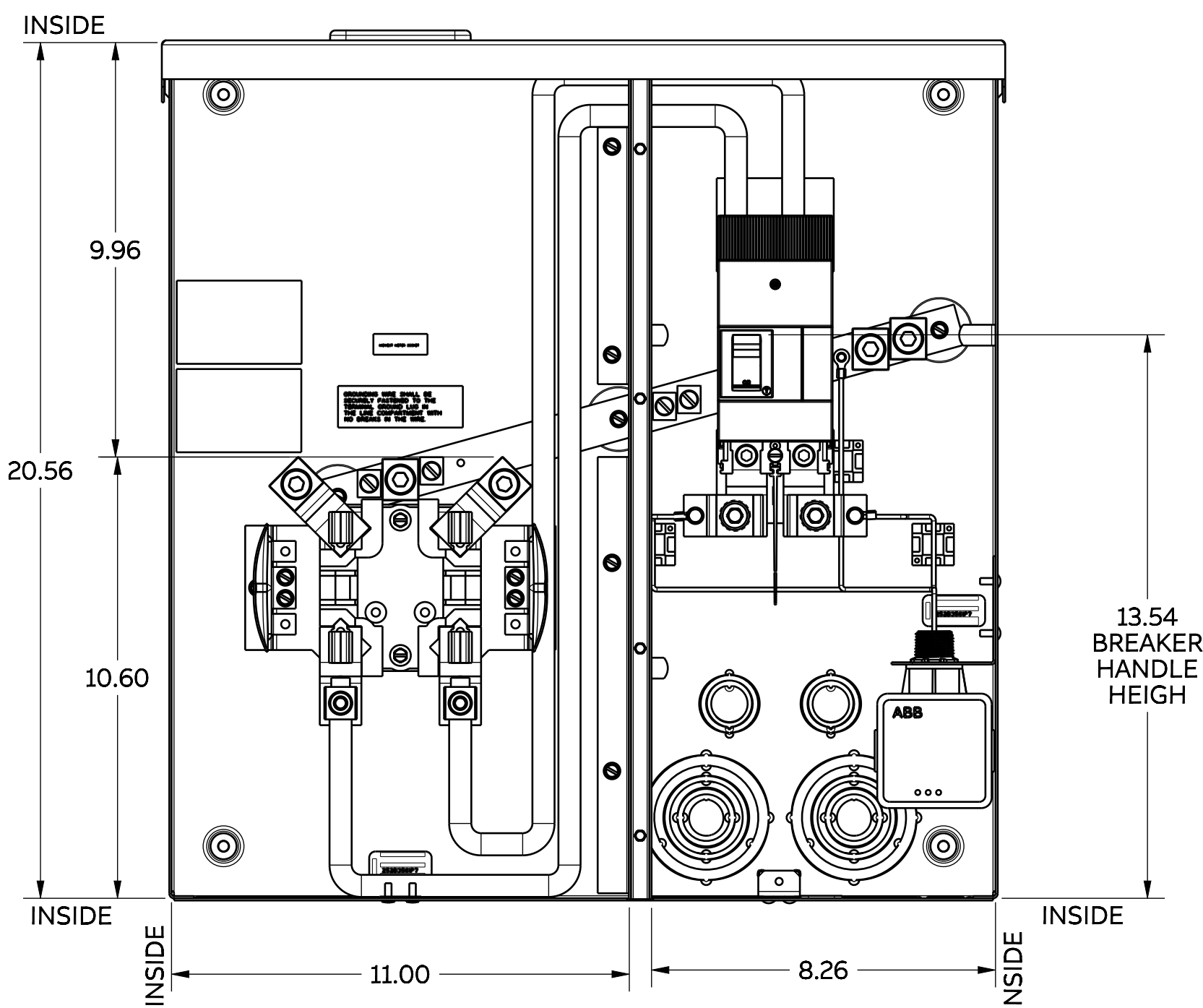
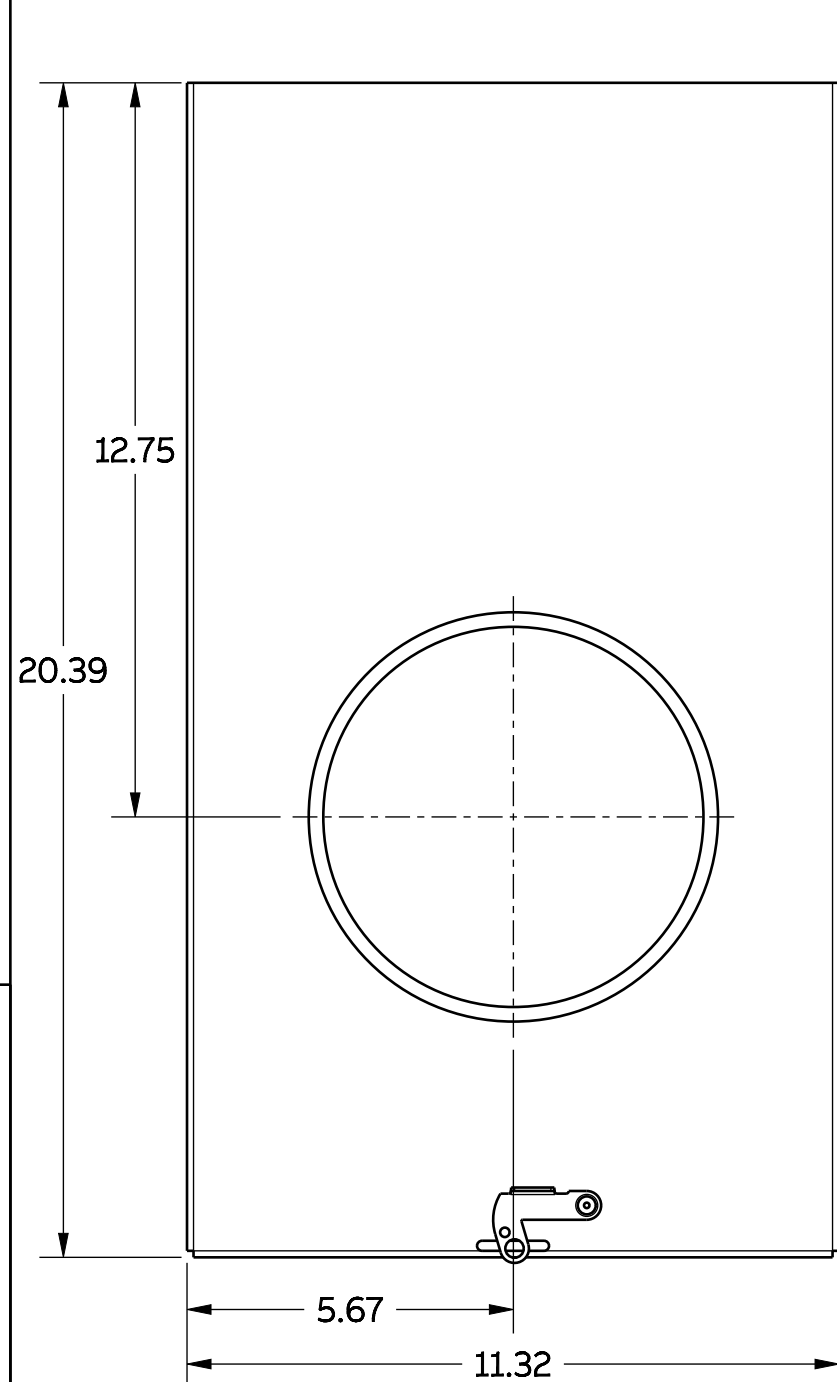
21

D

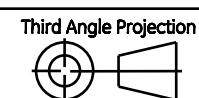
C

B

A



**ABB PROPRIETARY AND CONFIDENTIAL INFORMATION**  
 The information contained in this document has to be kept strictly confidential. Any unauthorized disclosure of this information is strictly forbidden.  
 Copyright 2021 ABB. All rights reserved.



<b>ABB</b>		
SIZE C	NUMBER PM12RLNCSS	REV A
SCALE 0.300	PRODUCT LINE METER COMBO	SHEET 2 of 2