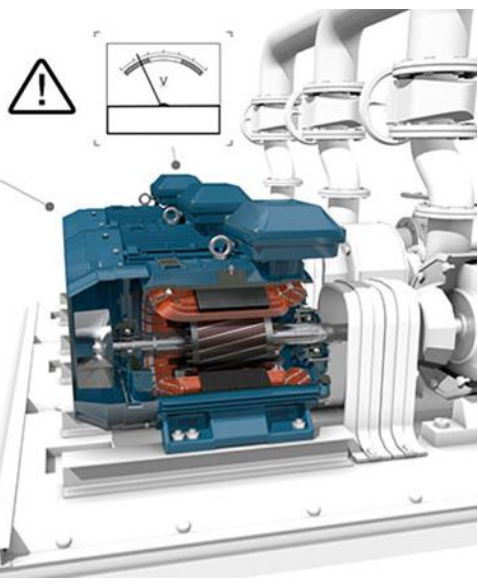
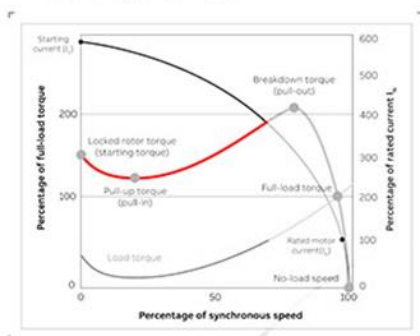


COURSE DESCRIPTION

Electric motor fundamentals

Free on-line training program

• **Selecting the right motor**
Starting the motor



This is a free on-line training program aiming to enhance your motor knowledge. Learn the basics of electromagnetic induction, motor selection criteria and proper maintenance techniques.

The goal

The goal of this free on-line program is to provide comprehensible training that quickly will enhance your knowledge about electric motors.

Throughout 17 short e-learning modules you will learn the basics of rotating electrical machines, e.g. how they work, motor efficiency and MEPS, how to select the right motor, installation and commissioning and maintenance.

Learning objectives

Upon completion of this program, the participants will be able to

- Explain the principles of electromagnetic induction and how electric motors work
- Define the main criteria for motor dimension and selection
- Describe aging factors affecting motor life
- Identify the main factors that contribute to the total cost of ownership of electric motors

Participant profile

This program does not require any previous experience of electric motors and is suitable for anyone who wants to get a good basic understanding of rotating electrical machines.

Prerequisites

To access this training program you need to create a MyABB account. [See instruction here!](#)

Duration

90 minutes.

Topics

- The principles of electromagnetic induction
- DC and AC motors, synchronous and asynchronous motors
- Motor efficiency and MEPS (Minimum energy performance standard)
- Cost of ownership
- Motor selection criteria
- Installation and commissioning
- Aging factors affecting performance
- Maintenance strategies
- Predictive maintenance

Course type

This is a web based training consisting of 17 short e-learning modules.

ABB Motors and Generators training

www.abb.com

<http://new.abb.com/service/training>