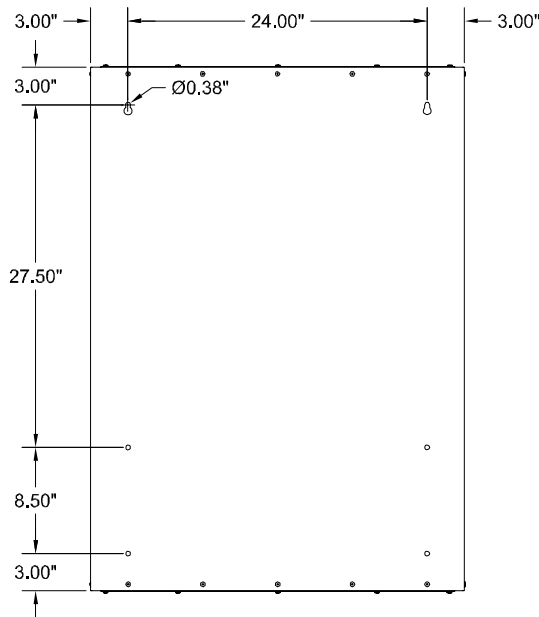
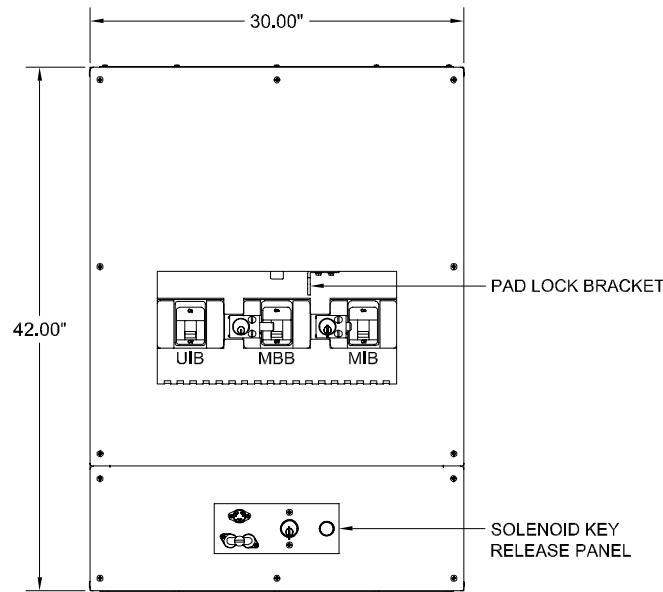


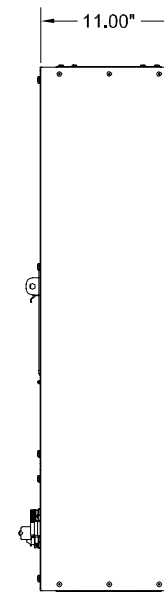
TOP VIEW



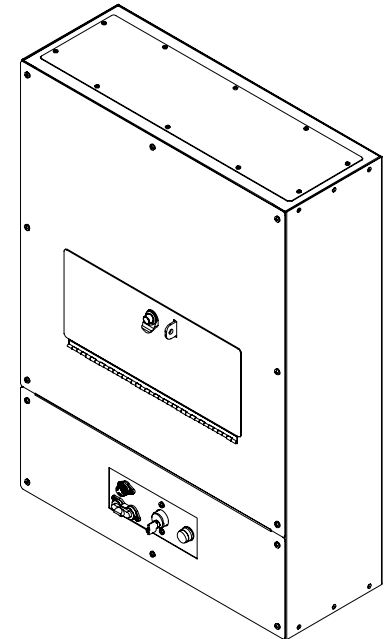
REAR VIEW



FRONT VIEW  
(DOOR REMOVED)



RIGHT SIDE VIEW



NOTES:

1. APPROXIMATE WEIGHT: 130 LBS.
2. ASSEMBLY IS UL/CUL LISTED TO UL 891 AND C22.2 NO. 244.
3. NEMA 1 WALL MOUNT ENCLOSURE.
4. THE BOX & TRIM ARE CONSTRUCTED OF GALVANIZED STEEL.
5. THE TRIM FINISH IS POWDER COATED ON ALL EXTERNAL AND VISIBLE SURFACES, BOX AND ALL INTERNAL MOUNT BRACKETS ARE GALVANIZED FINISH
6. THE CABINET IS TO BE MOUNTED THROUGH THE Ø0.375" HOLES IN THE BACK OF THE ENCLOSURE.



Part#: 79-3000-00000036  
 Description: 3B MBP W/ SKRU FOR AVC40- 225KVA, 480VAC  
 Voltage: 480VAC, 3Ph/3W/G  
 Breaker Quantity: (3)  
 Breaker Size: 400AT (setting)/400AF, 100% 310+, LSI Eaton Series C K-Frame (UIB, MBB, MIB)  
 AIC Rating: 65k  
 Interlock: 120VAC SKRU with Kirk-Key Locks standard  
 Dimensions: 30.0"W x 11.0"D x 42.0"H  
 Weight: 125 Lbs  
 Color: Black (BT)