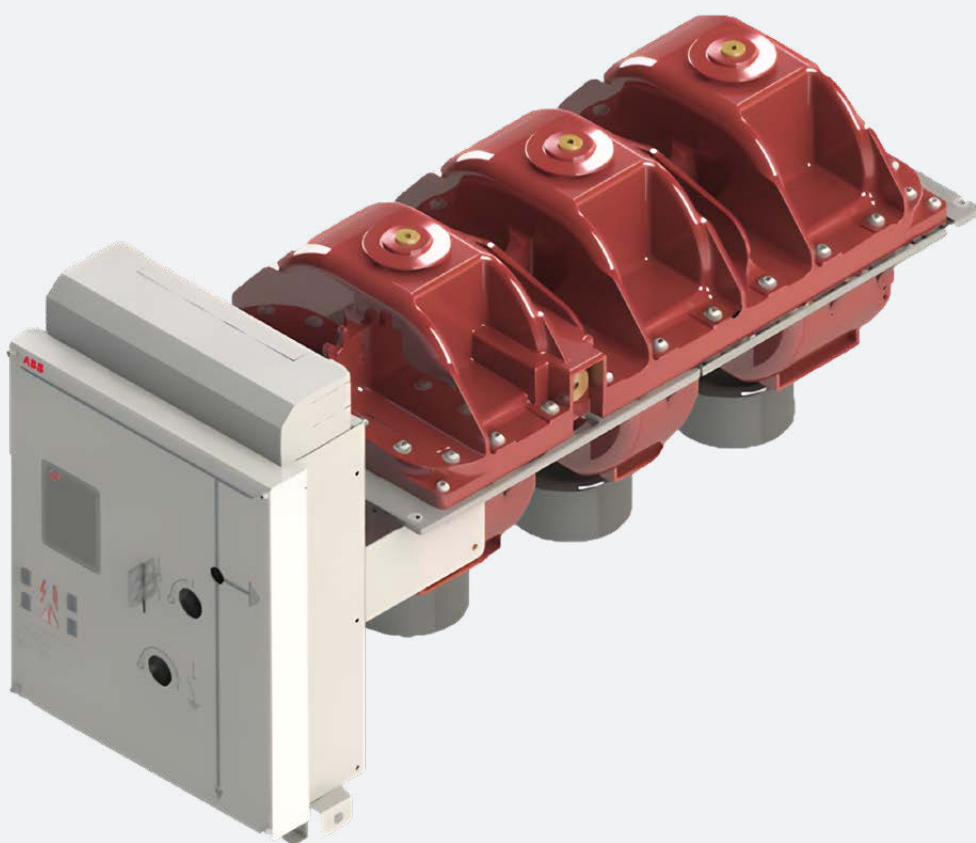


DISTRIBUTION SOLUTIONS

GSec Air

SF6-free three-position general purpose switch disconnecter



Product scope

- Rated voltage up to 24 kV
- Active load breaking current up to 630 A (as first release)
- Short-circuit making current (peak) up to 50 kA
- Short-time current withstand current up to 20 kA (as first release)

GSec Air is a medium-voltage three-position switch disconnect or disconnect and earthing switch for secondary distribution up to 24 kV, 1250 A, 20 kA. With dry air as the insulation medium, GSec Air has a global warming potential (GWP) of zero and is fully compliant with the EU F-gas regulation (EU) 2024/573.

GSec Air is suitable for typical applications including line supply, transformer protection, and ring networks.

GSec Air features three positions in one device: LINE – OPEN – EARTH and can be efficiently implemented in smart grids. It is a highly flexible and suitable solution for line ingoing/outgoing panels, in combination with circuit breakers or with fuses.

GSec Air

Customer benefits

01



F-gas regulation and IEC standards compliant

- GSec Air is sulfur hexafluoride (SF₆) free, has a GWP of zero of the insulating medium - compliant with the EU F-gas regulation (EU) 2024/573.
- Compliant with IEC 62271-103 (MV a.c. switches), IEC 62271-105 (MV a.c. switch-fuse combination), and IEC 62271-102 (MV a.c. disconnectors and earthing switches) standards.

02



Compact, reliable and flexible

- Maintains the similar compact size as the SF₆ version of GSec, making it easy to integrate into existing setups.
- Possibility to combine with fuses and interlocked with panel earthing switch.
- Allows for the use of higher rated protection fuses, which can optimize transformer feeders and reduce overall plant costs.
- Can be easily used in a wide range of configurations.

03



Safety

- Has an internal volume of less than or equal to 25 liters.
- Maintains same operations as the SF₆ version of GSec, lowering the risk of misuse by the operations staff.



GSec Air

Main technical characteristics

GSec Air

Rated Voltage	up to 24 kV
Power frequency withstand voltage (50/60 Hz, 1 min)	50 kV
Lightning impulse withstand voltage (BIL 1.2/50 μs)	125 kV
Rated frequency	50 Hz
Rated current	up to 630 A
Rated short time withstand current @ 3 s	up to 20 kA
Short-circuit making current (peak)	50 kA
Reference product standard	IEC 62271-102, IEC 62271-103 and IEC 62271-105

Preliminary tank dimensions (acutator excluded) in millimeters

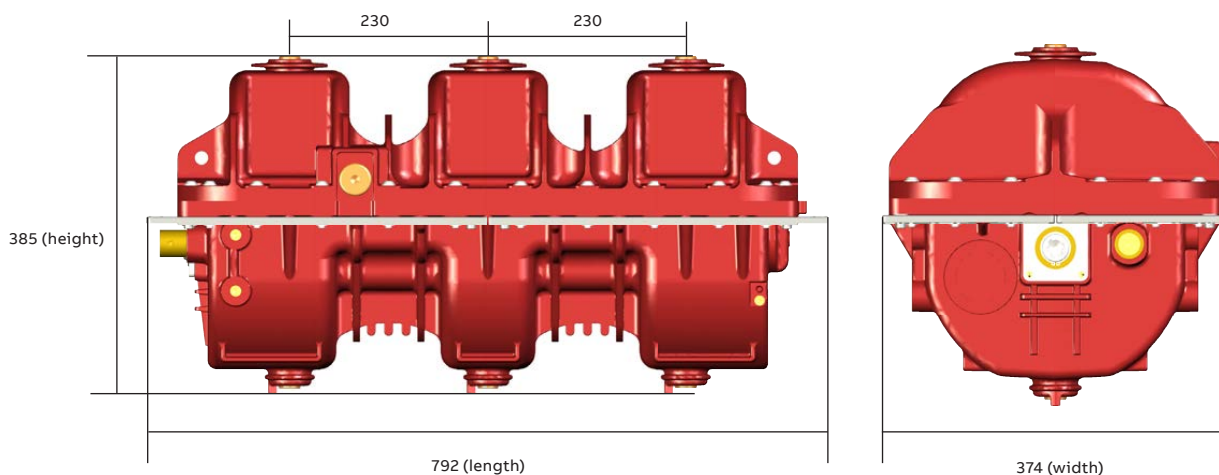


ABB Ltd.
Electrification Distribution Solutions
P.O. Box 8131
CH-8050 Zurich
Switzerland

solutions.abb/gsec
abb.com/mediumvoltage

We reserve the right to make technical changes or modify the contents of this document without prior notice. With regard to purchase orders, the agreed particulars shall prevail. ABB does not accept any responsibility whatsoever for potential errors or possible lack of information in this document.

We reserve all rights in this document and in the subject matter and illustrations contained therein. Any reproduction, disclosure to third parties or utilization of its contents – in whole or in parts – is forbidden without prior written consent of ABB.
Copyright © 2025 ABB
All rights reserved