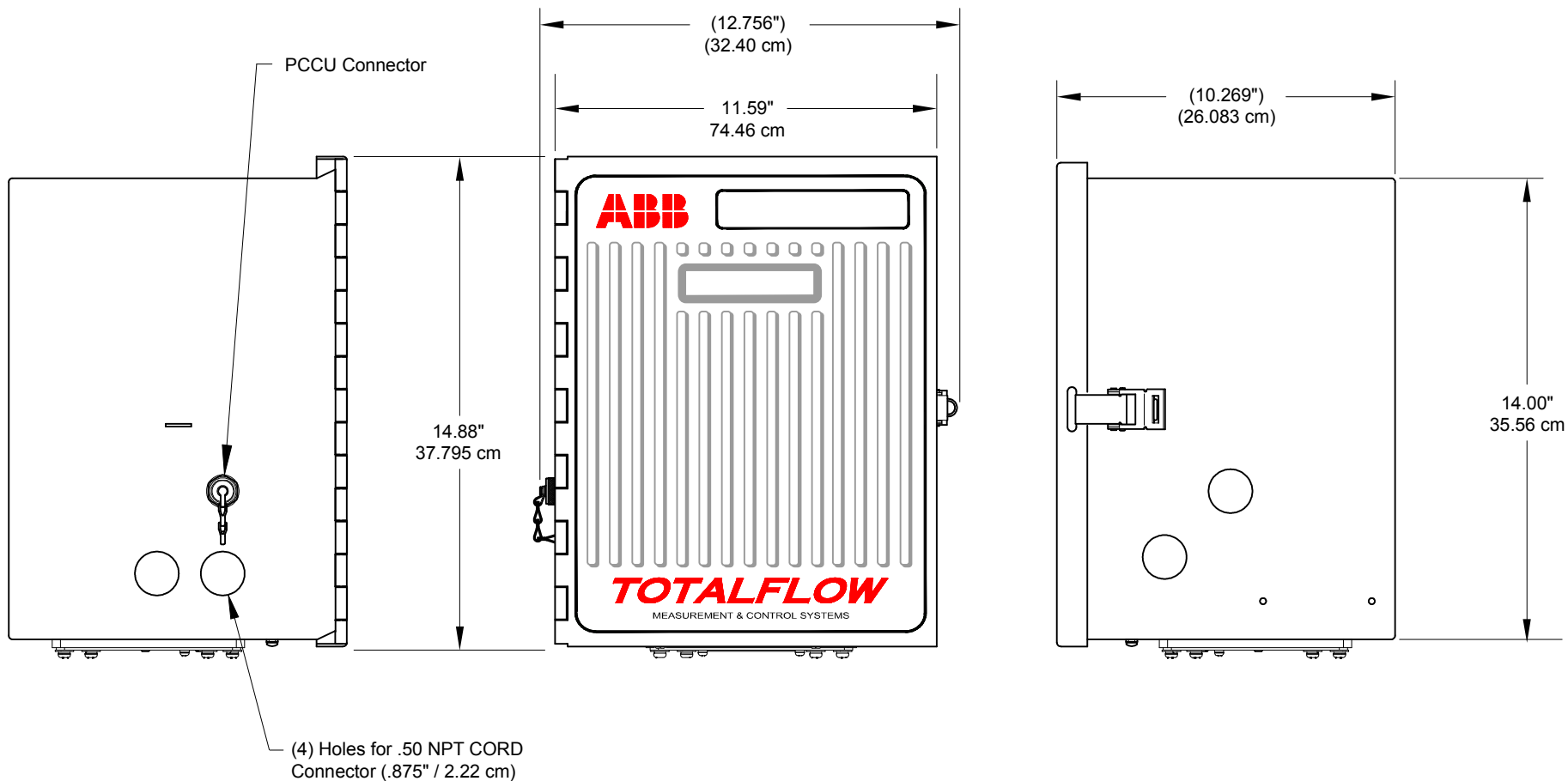



NOTES:

1. WARNING: This drawing does not illustrate completely the installation methods required for hazardous locations. Prior to any installation in a Classified Hazardous Location, verify installation methods by the Control Drawing referenced on the product's name tag and national and local codes.



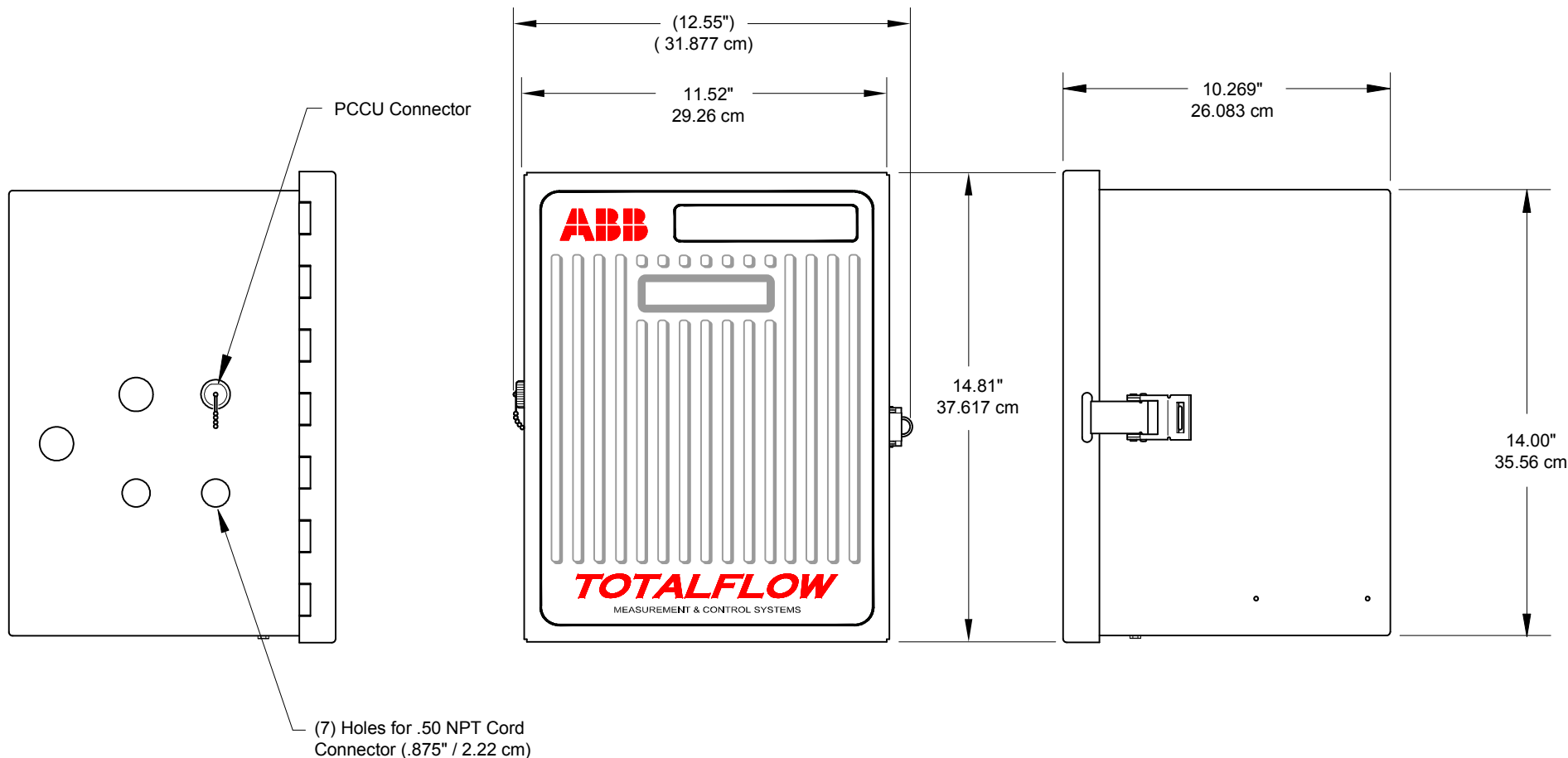
6270 COMM Enclosure

REF: 2100919, 2100934

 TOTALFLOW Products	ACTION	DOC TYPE	TITLE	DWG NO.	REV	SHEET
	L19087	UD	COMM ENCLOSURE MEASUREMENTS	2102918	AA	1 OF 3

NOTES:

1. WARNING: This drawing does not illustrate completely the installation methods required for hazardous locations. Prior to any installation in a Classified Hazardous Location, verify installation methods by the Control Drawing referenced on the product's name tag and national and local codes.



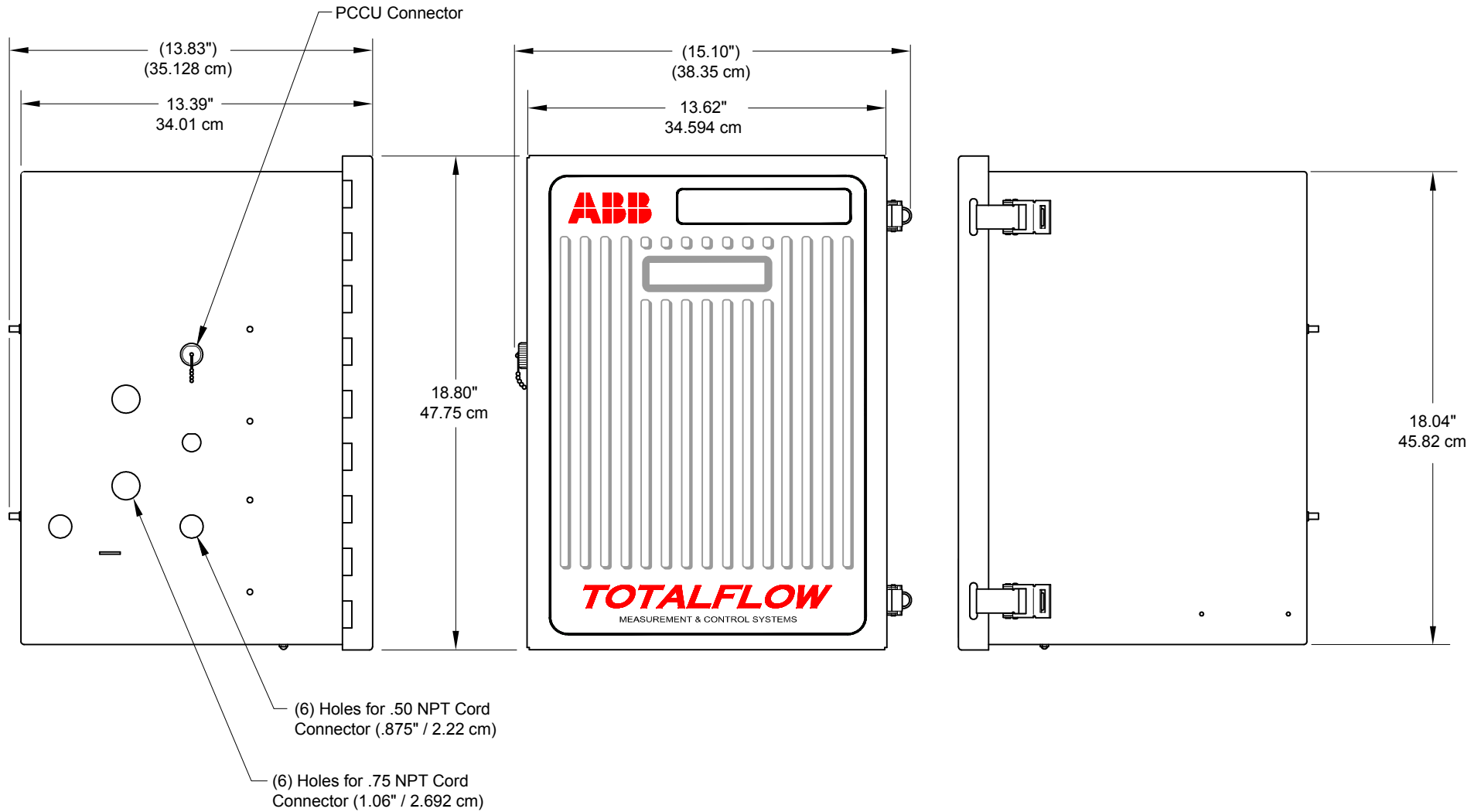
6470 COMM Chassis

REF: 2100551-003

	TOTALFLOW Products	ACTION	DOC TYPE	TITLE	DWG NO.	REV	SHEET
		L19087	UD	COMM ENCLOSURE MEASUREMENTS	2102918	AA	2 OF 3


NOTES:

1. WARNING: This drawing does not illustrate completely the installation methods required for hazardous locations. Prior to any installation in a Classified Hazardous Location, verify installation methods by the Control Drawing referenced on the product's name tag and national and local codes.



6770 COMM Chassis

REF: 2100155-008

 TOTALFLOW Products	ACTION	DOC TYPE	TITLE	DWG NO.	REV	SHEET
	L19087	UD	COMM ENCLOSURE MEASUREMENTS	2102918	AA	3 OF 3