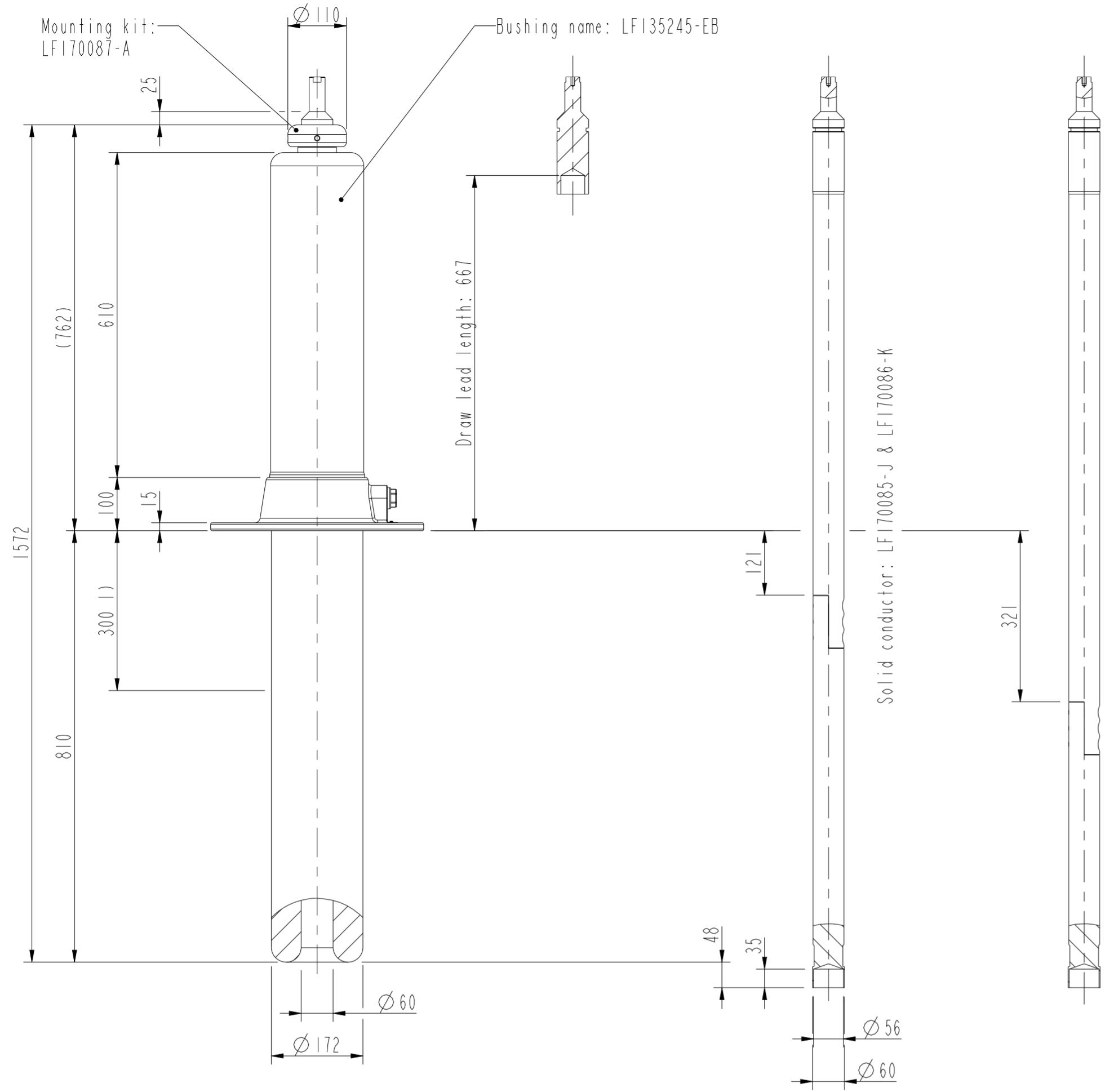


This document is issued by means of a computerized system. The digitally stored original is electronically approved. The approved document has a date entered in the "Approved"-field. A manual signature is not required.

Revision: Revision text
D Electrical data updated.

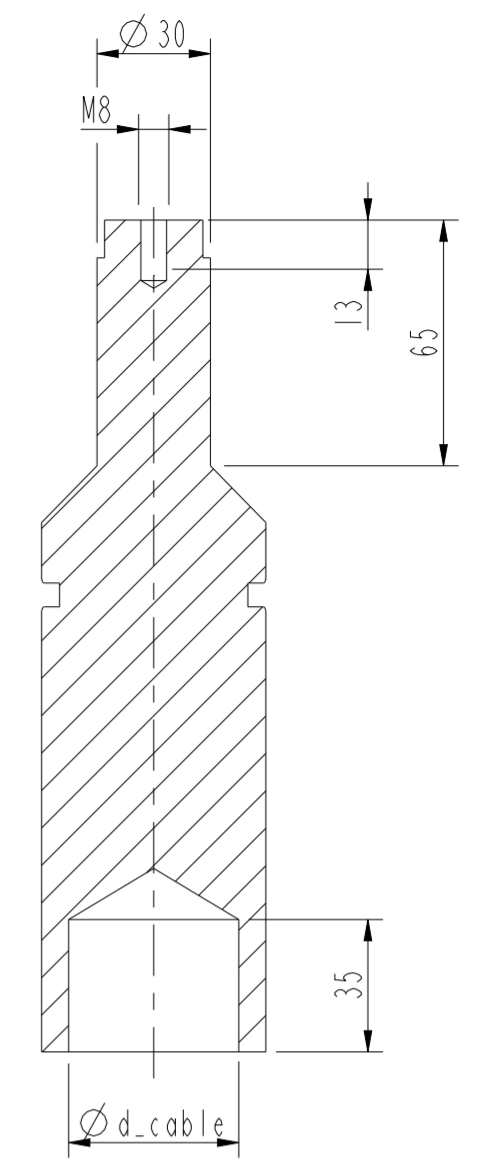


Conductor, upper (Cu)	
Catalog No.	MASS
LF170085-J	23
LF170085-K	27

Conductor, lower (Cu)	
Catalog No.	MASS
LF170086-J	10
LF170086-K	15

Mass: 3.5 kg

Terminal (Cu)	
Catalog No.	d_cable
LF170084-A	5
LF170084-B	11
LF170084-C	13
LF170084-D	15
LF170084-E	18
LF170084-F	30
LF170084-G	42
LF170084-H	45
LF170084-I	50
LF170084-J	54



1) Maximum space for CT.

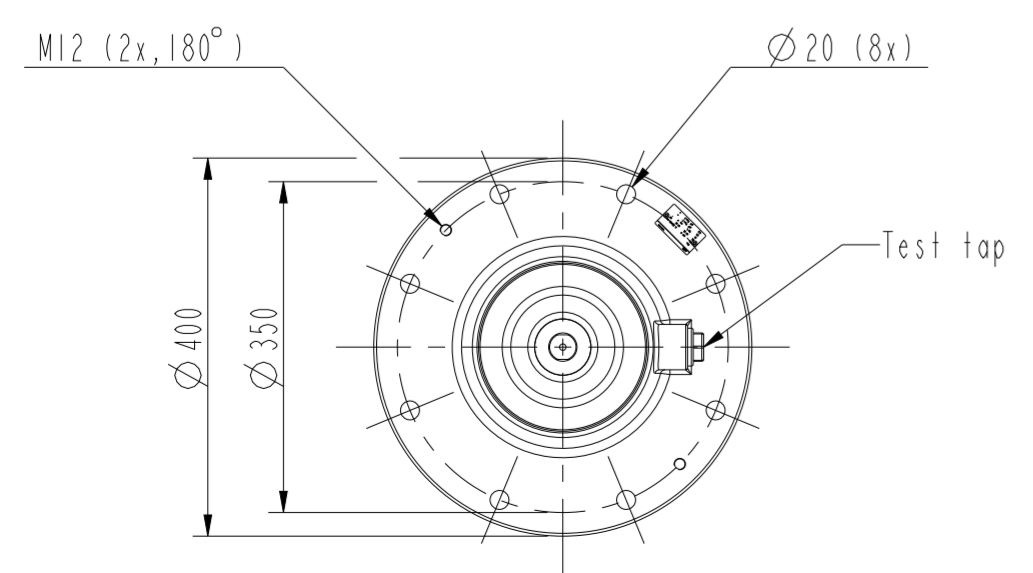


ABB		Ludvika, Sweden	
GSA 245-00/1600/0.3		LF135245-EB	
No.			
Um 245 kV Ir1600 A 50/60 Hz			
BIL 1050 kV SIL 850 kV AC 505 kV			
M 41 kg L 810 mm ∠ 0-90°			
C1	pF	Tan δ	x
C2	pF	Tan δ	x

ELECTRICAL DATA acc. to IEC 60137			
Ratings	Rated voltage	245	kV
	Max. phase to earth voltage	141	kV
Routine test	Max. phase to earth voltage, temporary	196	kV
	Dry lightning impulse	1050	kV
Capacitance	Max. current with Cu-conductor	1600	A
	Max. current with stranded cable 1200 mm ²	1250	A
	Dry power frequency	505	kV
	Switching impulse	850	kV
	Nominal capacitance	260	pF

GENERAL DATA acc. to IEC 60137			
Mass	Mass bushing	41	kg
Cantilever load	Cantilever test load, according to IEC 60137	4000	N
	Max. cantilever operating load, bushing	2000	N
Mounting and service instructions		2750515-138	

ELECTRICAL DATA acc. to ANSI C57.19.00			
Ratings	Insulation class	230	kV
	Rated max. line to ground voltage	146	kV
Dim. requirements acc. to C57.19.01 not fulfilled	Max. current with Cu-conductor	1600	A
	Max. current with stranded cable 1295 mm ²	1250	A

Approved	Document Kind	Based on doc. id	Work order id	Project id
2021-06-08	Dimension Drawing			
Company	Title, Supplementary title			
ABB Technology Ltd	Dimension drawing GSA 245-00 1600/0.3			
Responsible Department	Måttskiss GSA 245-00 1600/0.3			
SEABB-9AAE300824				
ABB		Document id	Status	Revision
		2751365-EB	Released	D
		Iteration	Sheet	
			1/1	