

# Just push it

## Push-in Spring motor starting solution



With the new complete Push-in Spring motor starting solution, one push is all you need for extremely fast wiring. No tool is required, so you can save up to 50% wiring time with Push-in Spring compared to conventional spring solutions. And the connections are just as reliable. So for speed, ease and reliability, just push it.



**Speed up your projects**

### Faster than ever installation

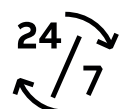
Imagine a motor starting solution that's twice as fast to install. With Push-in Spring, you no longer need to imagine – it's a reality. Push-in mode allows you to insert both ferruled and rigid cables without the need to use any tools, boosting your productivity like never before.



**Easy to install**

### Easier than ever wiring

Push-in Spring technology opens up new possibilities. With its unmatched ease of use, wiring becomes far more intuitive. This eliminates the need for special training and reduces the chance of wiring error. What possibilities will it open up for you?



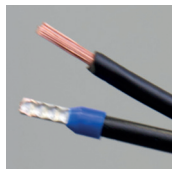
**Continuous operation**

### Reliable as ever connections

The speed, no need to re-tighten and ease of Push-in Spring comes with the added reassurance of connections that are as reliable as ever. This gives you complete peace of mind when using the Push-in Spring motor starting solution.

# Push-in Spring motor starting solution

## Complete range, complete efficiency



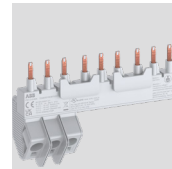
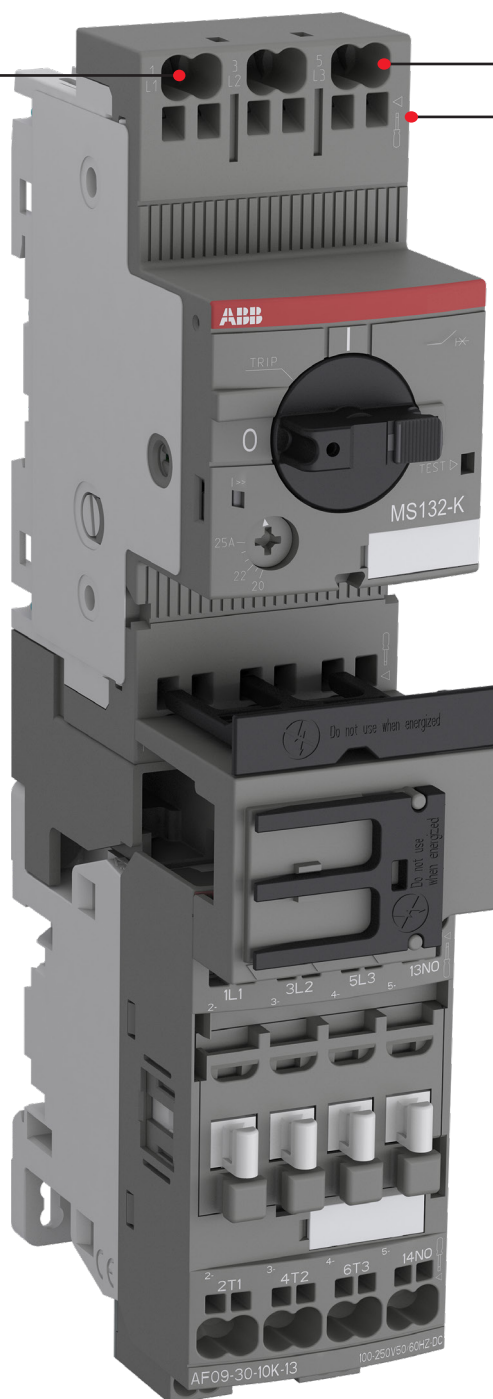
**2-in-1**  
Benefit from both Push-in mode and Spring mode and use ferruled cables or cables without ferrules in the same terminal.



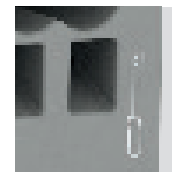
**Tool-free connecting links**  
100% tool-free mounting connecting links.



**Compatible with screw range**  
Mount accessories for control circuits on the screw range up to 45 kW AC-3 400 V on manual motor starters and up to 45 kW AC-3 400 V, 130 A AC-1 on contactors.



**Tool-free busbars**  
Parallel connection of manual motor starters without the need for tools (also certified for UL Type E/ Type F applications)



**Just one tool for everything**  
You only need a 3 mm screwdriver in Spring mode as well as for de-wiring the complete solution.



**Higher connecting capacity**  
The solution ranges up to 18.5 kW 400 V AC-3 and 50 A AC-1 (25 hp 480 V and 45 A 600 V general use).

**ABB France**  
11, rue d'Arsonval  
69680 Chassieu  
France

**ABB STOTZ-KONTAKT GmbH**  
Eppelheimer Straße 82  
69123 Heidelberg,  
Germany

You can find the address of your local sales organization on the ABB homepage

[abb.com/lowvoltage](http://abb.com/lowvoltage)

Copyright© 2022 ABB - All rights reserved

