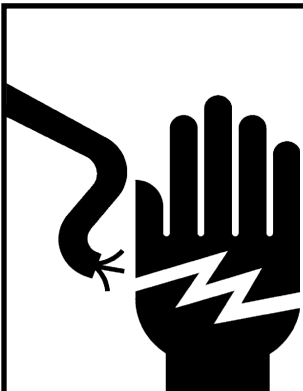


Installation Instructions for Horn Bypass Kit TMBPH20A

Publication#



⚠ DANGER

**Hazardous voltage.
Will cause severe injury or death.**

Turn OFF power supplying this equipment before working inside.

⚠ PELIGRO

**Voltaje peligroso.
Causa heridas severas o muerte.**

INTERRUMPA el suministro de energía que alimenta este equip antes de trabajar en el interior del mismo.

Please read these instructions completely before installing or removing device. Improper installation could be hazardous to personnel and/or equipment.

Por favor lea estas instrucciones en su totalidad antes de instalar o mover el aparato. Una instalacion inapropiada puede ser peligrosa para el personal y/o el equipo

Kit contains:

QTY	DESCRIPTION
2	Horn Bypass Bus (Right Hand)
2	Horn Bypass Bus (Left Hand)
4	1/4-15 x 1/2 Hi-Lo Shoulder Screw

Tools required:

- RATCHET
- TORQUE WRENCH
- 3/8 SOCKET

1. Turn "OFF" power supplying the meter module.
2. Insert open end of horn bypass bus into inside of meter jaw.
3. Install 1/4-15 x 1/2 hi-lo shoulder screw through the horn bypass bus into the meter socket base.
4. Torque (4) screws to 20-22 lb.-in.

ABB
41 Woodford Ave.
Plainville, CT 06062

We reserve the right to make technical changes or modify the contents of this document without prior notice. With regard to purchase orders, the agreed particulars shall prevail. ABB AG does not accept any responsibility whatsoever for potential errors or possible lack of information in this document.

We reserve all rights in this document and in the subject matter and illustrations contained therein. Any reproduction, disclosure to third parties or utilization of its contents – in whole or in parts – is forbidden without prior written consent of ABB AG.

Copyright© 2018 ABB
All rights reserved

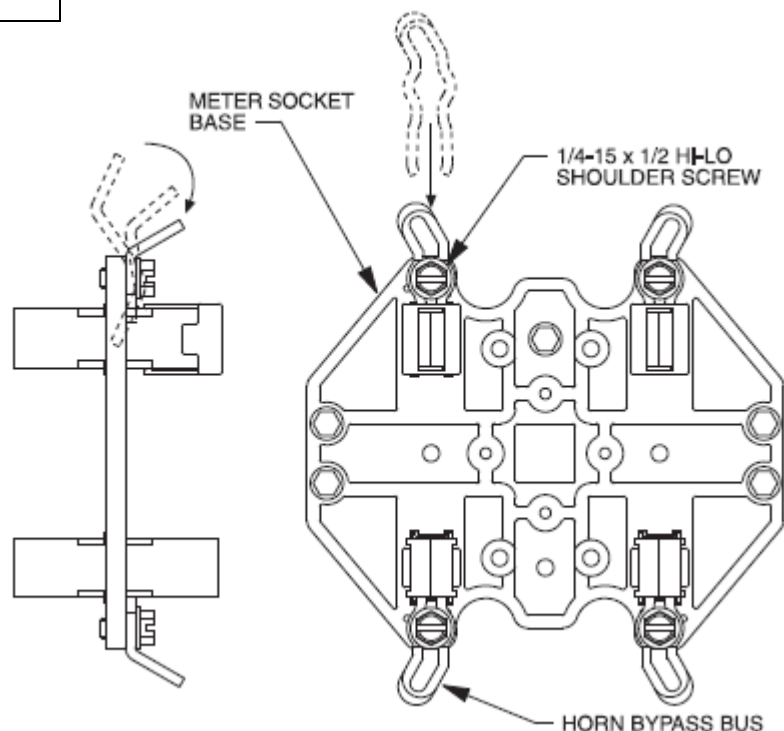


Figure 1. Horn Bypass Assembly