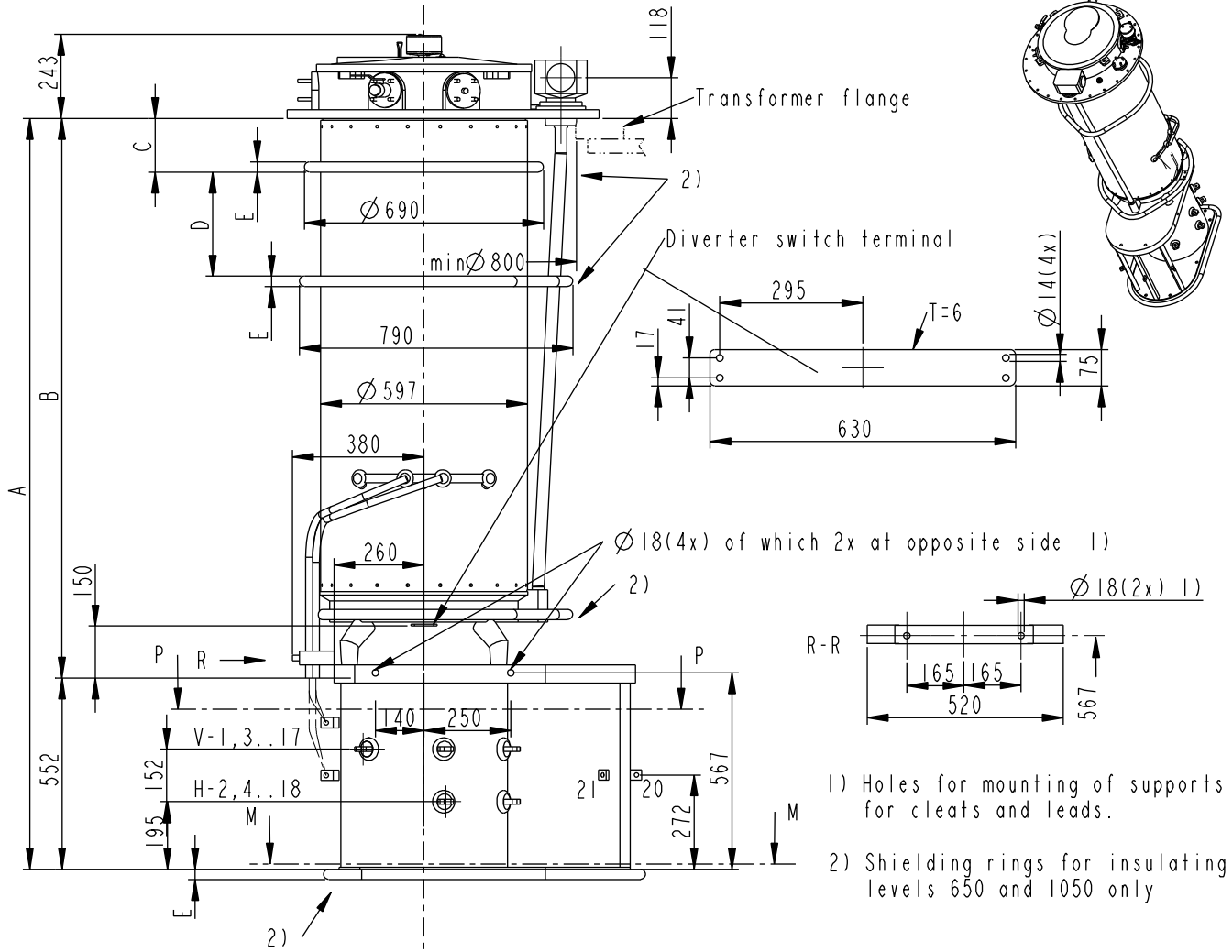
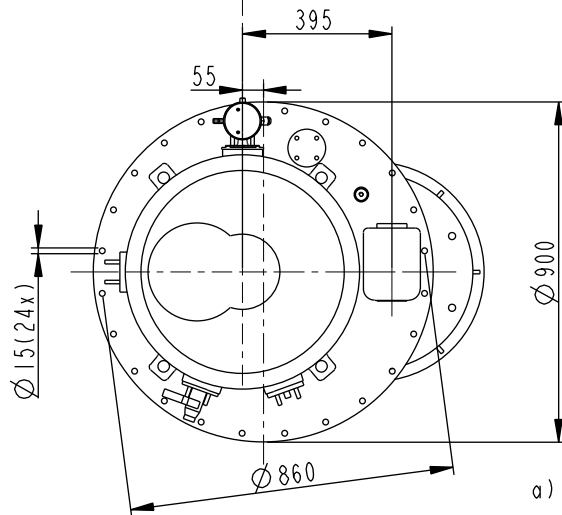


We reserve all rights in this document and in the information contained therein. Reproduction, use or disclosure to third parties without express authority is strictly forbidden. ©ABB



- 1) Holes for mounting of supports for cleats and leads.
- 2) Shielding rings for insulating levels 650 and 1050 only



INSULATION LEVEL kV		380	650	1050
Dimensions in mm	A	1967 a)	2167 a)	2367 a)
	B	1415 a)	1615 a)	1815 a)
	C	-	155 a)	158 a)
	D	-	300	494
	E	-	30	36
	H	-	930	936
	J	-	290	293
	K	-	580	586

a) For mounting on active part use A+85, B+85 and C+85 (See also Drawing 54920086-1)

Based on	Reg. No.	Title	
Prepared B Hultgren 96-05-28	Responsible department COM/TK	TAP-CHANGER UCLR AND UCLD	
Approved M Eriksson	Take over department	UCL.B(1PHASE),E,T XXXX/900/III	
Revision Rev.4 06-10-06	Database DIMENSION_DWGS	11, 15, 16-19, 21-23, 25-27, 29-31, 33-35 pos	
ABB Components		Document No.	54920085-16
		 Language en Page 1(3)	

Inspection engineering review

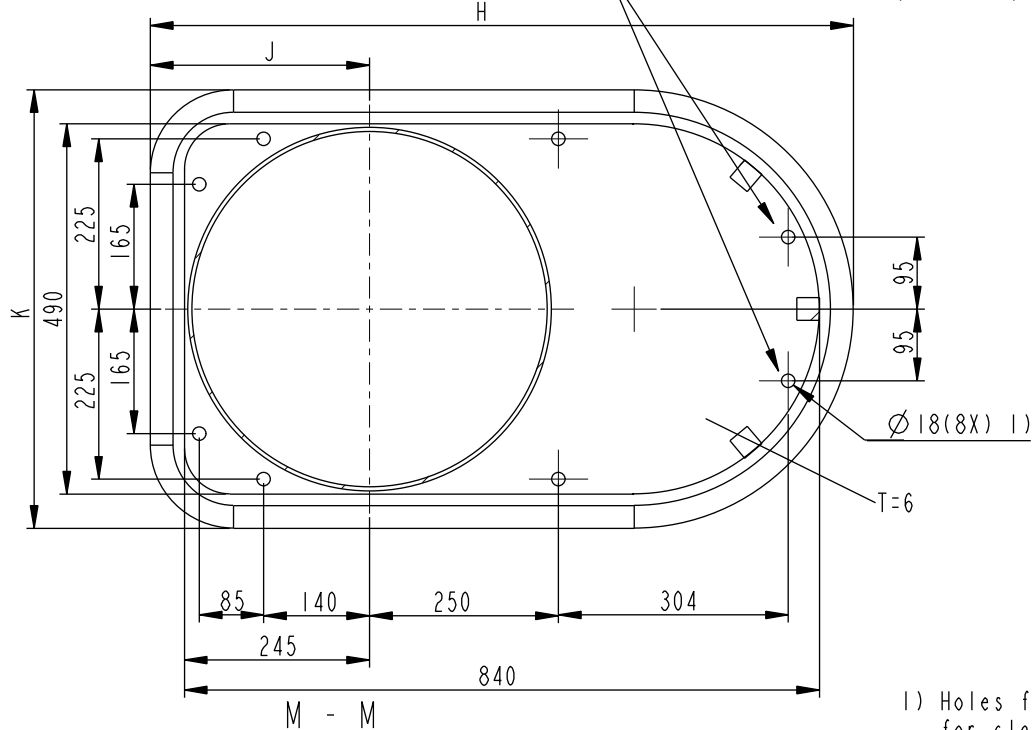
Production engineering review

Design engineering review

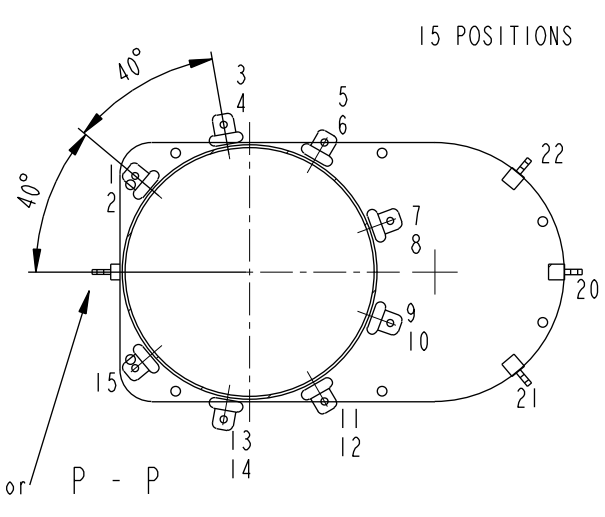
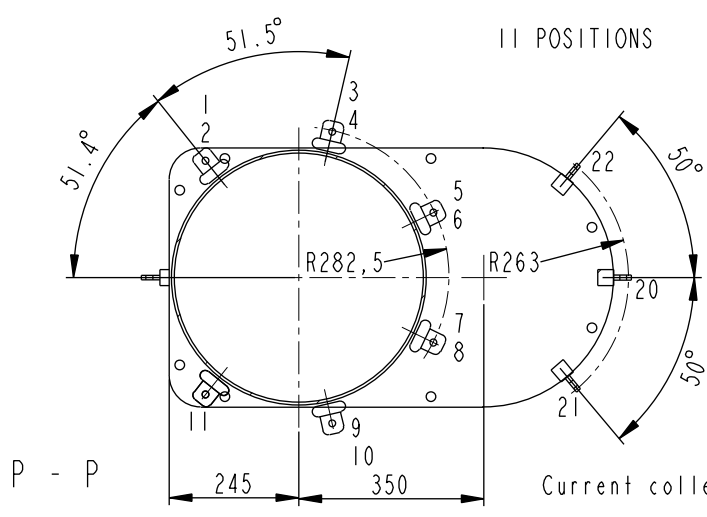
We reserve all rights in this document and in the information contained therein. Reproduction, use or disclosure to third parties without express authority is strictly forbidden. ©ABB

Values for dim. H, J and K in table on page 1

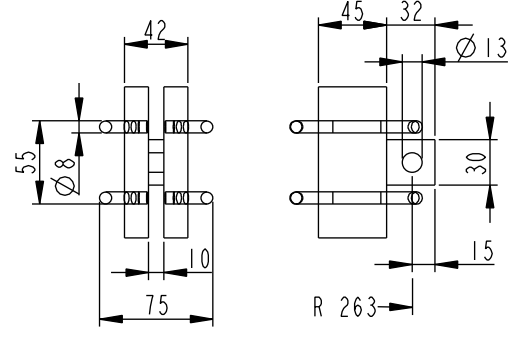
These two holes also in top plate



1) Holes for mounting of supports for cleats and leads



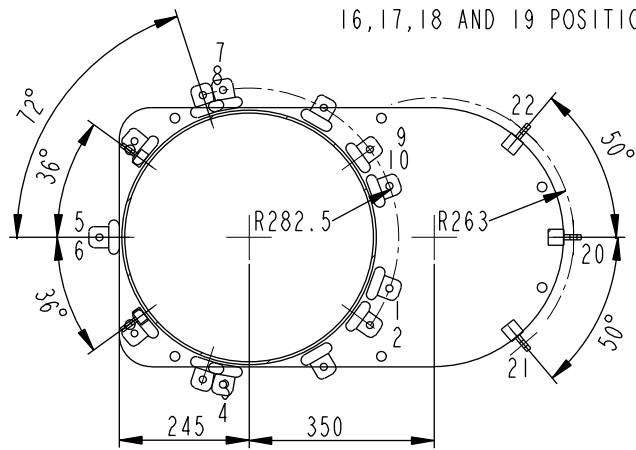
Tap selector contact 20,21,22 with shields



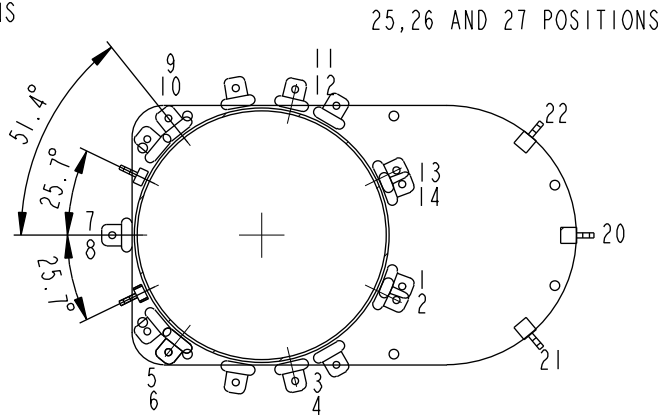
Inspection engineering review
Design engineering review
Production engineering review

Based on	Reg. No.	Title TAP-CHANGER UCLR AND UCLD UCL.B(1PHASE),E,T XXXX/900/III	Language en
Prepared B Hultgren 96-05-28	Responsible department COM/TK		
Approved M Eriksson	Take over department	Page 2(3)	Document No. 54920085-16
Revision Rev.4 06-10-06	Database DIMENSION_DWGS		
ABB Components			

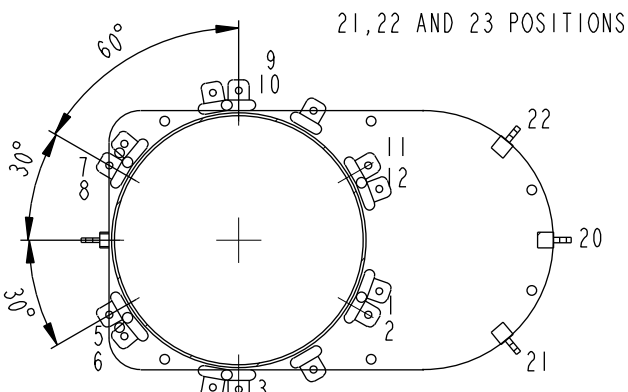
We reserve all rights in this document and in the information contained therein. Reproduction, use or disclosure to third parties without express authority is strictly forbidden. ©ABB



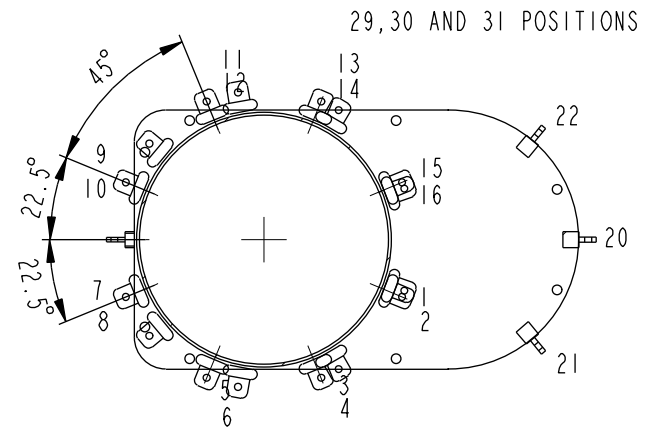
P - P



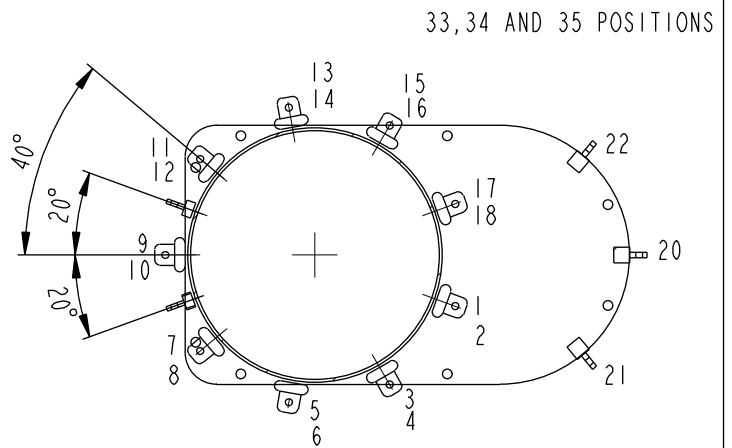
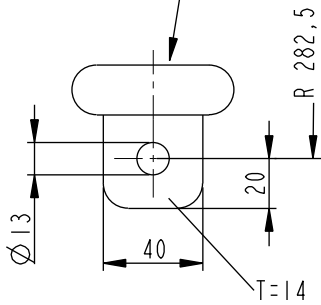
P - P



P - P



P - P



P - P

ADDITIONAL DRAWINGS:
 Connection Diagrams: See Technical Guide UC
 Mounting on active part: 54920086-1
 Accessories: 54920086-2
 Motor Drive BUL: 54830001-1
 Motor Drive BUE: 54830001-2 or -3
 External Drive Shaft: 54920083-4
 Pressure Relay: 54920083-2
 Bevel Gear: 54920083-1

Based on	Reg. No.	Title	Language en
Prepared B Hultgren 96-05-28	Responsible department COM/TK		
Approved M Eriksson	Take over department	Page 3(3)	
Revision Rev.4 06-10-06	Database DIMENSION_DWGS	Document No. 54920085-16	



ABB Components

54920085-16

Inspection engineering review

Production engineering review

Design engineering review