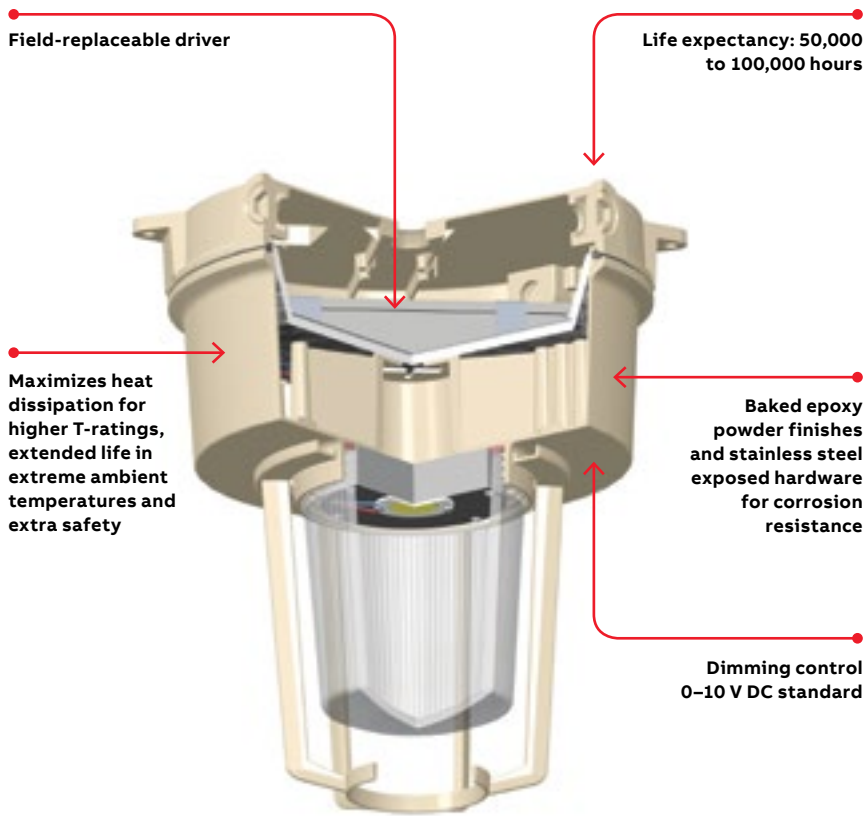


Hazlux® H3 LED

A safe, dependable and rugged luminaire with an exclusive design that maximizes heat dissipation, offers excellent performance and energy efficiency.



Light output from 5,600 up to 20,100 lumens



LED uses 75% less energy than HID, and 90% less energy than incandescent

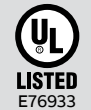
CLASSIFICATION

CLASS I	
Division 2	Groups A, B, C, D
Zone 2	Groups IIC, IIB, IIA
CLASS II	
Division 1*	Groups E, F, G*
Division 2	Groups F, G
CLASS III	

*Contact your ABB sales representative to verify classification

CERTIFICATIONS AND RATINGS

DLC Not all DL series are DLC qualified. For all qualified products, please visit: www.designlights.org/qpl



UL844
UL1598
UL8750

Applications

- High mast
- Parking lots
- Tunnels
- Swimming pools
- High bay
- Food processing
- Coolers and freezers
- Inspection
- Meat processing
- Quality control areas
- Packaging areas
- Hangars
- Storage facilities
- Oil and gas processing
- Agricultural
- Chemical/industrial facilities

Hazlux® H3 LED

Temperature codes

	Class I Zone 2 Groups IIC, IIB, IIA	Class I Division 2 Groups A, B, C, D	Class II Groups E, F, G	Simultaneous Class I Division 2 and Class II
Glass globe DL005, DL007, DL010				
Ambient temp. 40°C	T5	T5	T6	T5
Ambient temp. 55°C	T4	T4A	T6	T4A
Glass globe DL005, DL007, DL010 with internal reflector I3, I4, I6				
Ambient temp. 40°C	T4	T4A	T6	T4A
Glass globe DL015, DL017, DL020				
Ambient temp. 40°C	T4	T4A	T4A	T4A
Optic type cut DL005, DL007, DL010				
Ambient temp. 40°C	T5	T5	T5*	T5*
Ambient temp. 55°C	T4	T4A	T4A*	T4A*
Optic type cut DL015, DL017, DL020				
Ambient temp. 40°C	T4	T4A	T4A*	T4A*

*Cut reflector: Class II, Division 2, Groups F, G

Color temperature

Standard color temperature is 5000 K.
Other color temperatures available.

Color rendering index

Superior CRI: 70

Surge suppression rating

ANSI C82.77-5 CAT C low compliant – no external surge suppression device required.

ANSI surge type	Differential mode (L-N)	Common mode (L-G, N-G, L and N-G)
1.2/50 μ s combination wave (w/t 2 Ω)	6 kV	6 kV



Hazlux® H3 LED

Fixture assembly guide

1

Mounting options



Cone-top pendant



Ceiling and pendant mount



Wall mount



Rigid pendant



Hazvertor™ ring



25° Angle stanchion



Straight stanchion

2

LED driver tank



3

Globe or reflector



Heat-resistant globe



Reflector globe R1



Reflector globe R3



Reflector globe R5



CUT



CBDL

4

Guard (n/a for CUT)



Cast guard

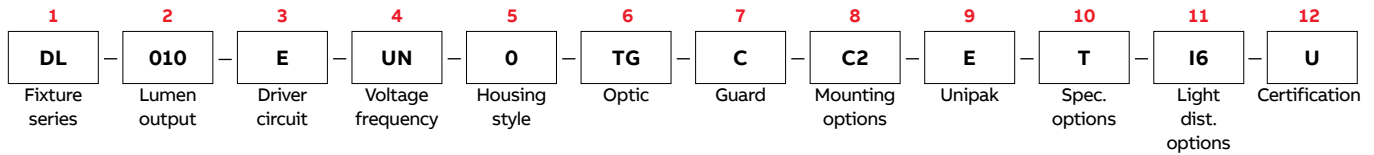


Polymeric guard

Hazlux® H3 LED

Numbering system

Unipak™ = LED driver tank + optics and mountings + options (if necessary)



LED driver tank

Part	Part number	Description
1 Fixture series	DL	Hazlux H3 gen 2
2 Lumen output	005	5,600 lumens, 37 W
	007	7,500 lumens, 48 W
	010	10,500 lumens, 74 W
	015	15,800 lumens, 103 W
	017	17,300 lumens, 115 W
	020	20,100 lumens, 138 W
	3 Driver circuit	E
4 Voltage / Frequency	UN	Universal 120–277 V AC 50/60 Hz (voltage range includes 208 V, 220 V, 240 V etc.)
	UN2	Universal 347/480 V AC 50/60 Hz
5 LED driver housing style	O	Standard housing
	S	Standard housing with stainless-steel insert

Mounting

Part	Part number	Description
8 Mounting style	A2	¾" Cone-top pendant
	A3	1" Cone-top pendant
	B2	¾" Wall mount
	B3	1" Wall mount
	C2	¾" Ceiling mount / pendant
	C3	1" Ceiling mount / pendant
	HV3	Hazvertor™ adaptor ring Crouse-Hinds® ceiling, pendant ² and straight stanchion top hats ¹
	HV4	Hazvertor adaptor ring stanchion angle mount ¹
	HV5	Hazvertor adaptor ring wall mount ¹
	L4	1¼" Straight stanchion
	L5	1½" Straight stanchion
	P2	¾" Rigid pendant
	P3	1" Rigid pendant
S4	1¼" 25° Angle stanchion	
S5	1½" 25° Angle stanchion	
	Blank	No mounting (to replace existing fixt.)
9 Unipak	E	(Standard, Unipak with LED lamp)

¹ HV3, HV4 and HV5 hazvertors are CSA/CSAus certified

Optics

Part	Part number	Description
6 Optic ¹	BLANK	No teflon coating
	S	Teflon coating ¹
	TG	Thermal shock-resistant glass globe
	R1	Type I glass refractor globe
	R3	Type III glass refractor globe
	R5	Type V glass refractor globe
	CBDL	Low-bay refractor, polycarbonate ²
	CUT ²	Dark sky cut-off polycarbonate flat lens
	7 Guard option	Blank
C		Cast aluminum guard
L		Polymeric guard

¹ Not applicable to CUT.

CUT optics: 3000K < CCT. Cannot be used with 25° stanchion mount.

² Not suitable for Class II, Division 1

Options

Part	Part number	Description
10 Special options	T	Hazcote® black custom anti-corrosion coating (consult ABB rep)
	G	Gray color option
11 Light distribution options	I3	Internal reflector 35° beam angle ²
	I4	Internal reflector 45° beam angle ²
	I6	Internal reflector 65° beam angle ²
	K	Special Kelvin color temperature (consult ABB rep)
12 Certification	U	U.S market

² DL005, DL007 and DL010 only, maximum 40 °C (104 °F) ambient temperature, cannot be combined with refractors.

Hazvertor™ compatibility

The HazVertor™ adaptor ring is designed to let you quickly convert most Crouse-Hinds fixtures to Hazlux® H3 LED Generation 2 fixtures. It is available as an accessory or as an integral component to the Hazlux® H3 LED Generation 2 fixture.



01



02



03

- 01 HazVertor™ adaptor ring, model HV3
- 02 HazVertor™ adaptor ring, angle machining, model HV4
- 03 HazVertor™ adaptor ring, wall mount machining, model HV5

Mounting	Crouse-Hinds model	Crouse-Hinds part number	HazVertor™ model
Pendant	APM2 3/4 in.	APM2	HV3
	APM3 1 in.	APM3	HV3
Ceiling	CM2 3/4 in.	CM2	HV3
	CM3 1 in.	CM3	HV3
Wall	TWM2 3/4 in.	TWM2	HV5
	TWM3 1 in.	TWM3	HV5
Stanchion	JM5 1-1/2 in.	JM5	HV4
	PM5 1-1/2 in.	PM5	HV3
Quad mount	QM25 3/4 in.	QM25	HV3



Hazlux® H3 LED

DLC summary of test results

Design Lights Consortium (DLC): summary of test results

Electrical, 120-277 VAC			
Model	Power (W)	Power factor	THD
DL005	37.7	0.91	13.5%
DL007	49.4	0.94	13.3%
DL010	71.9	0.97	10.1%
DL015	103.0	0.97	11.0%
DL017	115	0.97	11.8%
DL020	137	0.97	12.3%

Electrical, 347 VAC			
Model	Power (W)	Power factor	THD
DL005	36.7	0.98	10.2%
DL007	47.9	0.99	8.3%
DL010	70.2	0.99	7.1%
DL015	104.9	0.99	7.6%
DL017	116.7	0.99	7.1%
DL020	141.2	0.99	7.8%

Photometry, 120-277 VAC	
TG globe	
Lumens	Lm/W
5,747	155.3
7,607	156.6
10,706	147.8
16,063	155
17,549	151.7
20,468	147.2

Photometry, 347 VAC	
TG globe	
Lumens	Lm/W
-	-
-	-
10,582	147.7
-	-
-	-
21,284	149.6

Photometry, 120-277 VAC	
CUT reflector	
Lumens	Lm/W
5,237	141.5
6,832	140.8
9,814	135.4
14,564	140.7
16,140	139.7
18,782	135.3

Photometry, 347 VAC	
CUT reflector	
Lumens	Lm/W
-	-
-	-
9,659	134.9
-	-
-	-
19,065	134.1

Summary of test results: Certified for optics TG globe and CUT reflector, and for AC input 120 V, 277 V and 347 V

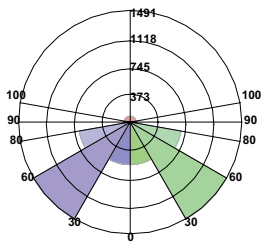


Hazlux® H3 LED

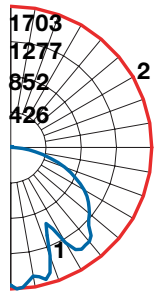
Optic selections

Standard globe	
Catalog number	DL005EUN0-TGC2
Luminaire lumens	5,764
Luminaire efficacy rating (LER)	156
Input watts	37.01
Spacing criterion	0.88
Spacing criterion (90–270)	0.88
Spacing criterion (diagonal)	1.52

Luminaire classification system



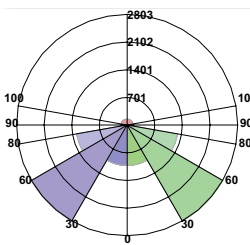
Candlepower curve



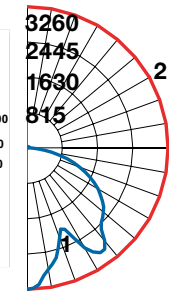
BUG rating : B2-U3-G1

Standard globe	
Catalog number	DL010EUN0-TGC2
Luminaire lumens	10,739
Luminaire efficacy rating (LER)	148
Input watts	72.44
Spacing criterion	0.82
Spacing criterion (90–270)	0.82
Spacing criterion (diagonal)	1.46

Luminaire classification system



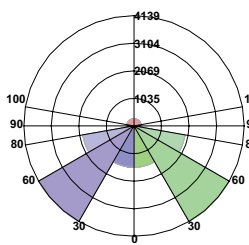
Candlepower curve



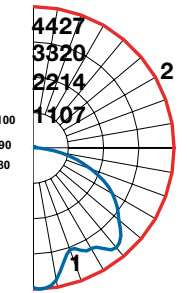
BUG rating : B3-U3-G2

Standard globe	
Catalog number	DL015EUN0-TGC2
Luminaire lumens	16,110
Luminaire efficacy rating (LER)	155
Input watts	103.66
Spacing criterion	1.32
Spacing criterion (90–270)	1.32
Spacing criterion (diagonal)	1.58

Luminaire classification system



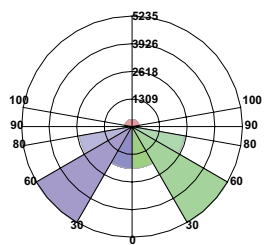
Candlepower curve



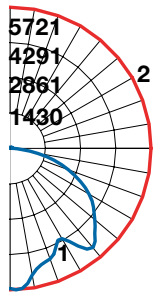
BUG rating : B3-U3-G3

Standard globe	
Catalog number	DL020EUN0-TGC2
Luminaire lumens	20,530
Luminaire efficacy rating (LER)	148
Input watts	139.02
Spacing criterion	1.10
Spacing criterion (90–270)	1.10
Spacing criterion (diagonal)	1.56

Luminaire classification system



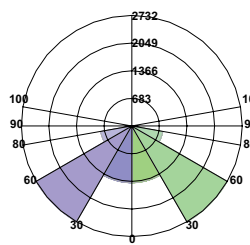
Candlepower curve



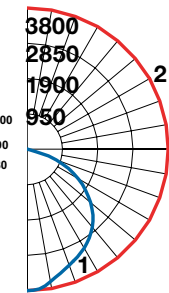
BUG rating : B4-U3-G3

CUT reflector	
Catalog number	DL010EUN0-CUTC2
Luminaire lumens	9,846
Luminaire efficacy rating (LER)	136
Input watts	72.47
Spacing criterion	1.22
Spacing criterion (90–270)	1.22
Spacing criterion (diagonal)	1.38

Luminaire classification system



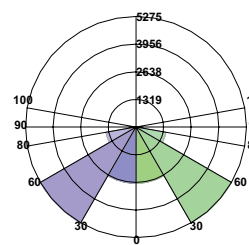
Candlepower curve



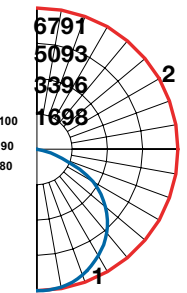
BUG rating : B3-U0-G1

CUT reflector	
Catalog number	DL020EUN0-CUTC2
Luminaire lumens	18,841
Luminaire efficacy rating (LER)	136
Input watts	138.8
Spacing criterion	1.30
Spacing criterion (90–270)	1.30
Spacing criterion (diagonal)	1.42

Luminaire classification system



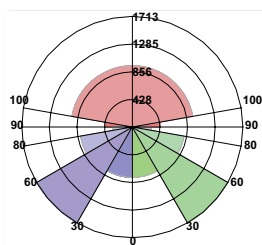
Candlepower curve



BUG rating : B4-U0-G1

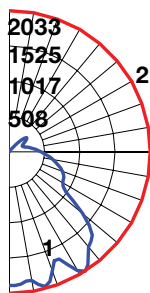
Standard globe	
Catalog number	DL010-R5
Luminaire lumens	8587
Luminaire efficacy rating (LER)	98
Input watts	87.48
Spacing criterion	
Spacing criterion (90–270)	
Spacing criterion (diagonal)	

Luminaire classification system



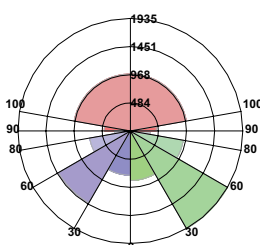
BUG rating : B2-U4-G3

Candlepower curve



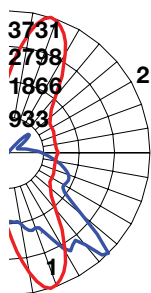
Standard globe	
Catalog number	DL010-R3
Luminaire lumens	8649
Luminaire efficacy rating (LER)	99
Input watts	87.27
Spacing criterion	
Spacing criterion (90–270)	
Spacing criterion (diagonal)	

Luminaire classification system



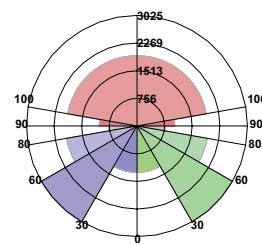
BUG rating : B2-U4-G3

Candlepower curve



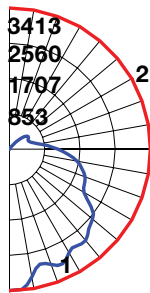
CUT reflector	
Catalog number	DL020-R5
Luminaire lumens	17,004
Luminaire efficacy rating (LER)	102
Input watts	166.3
Spacing criterion	
Spacing criterion (90–270)	
Spacing criterion (diagonal)	

Luminaire classification system



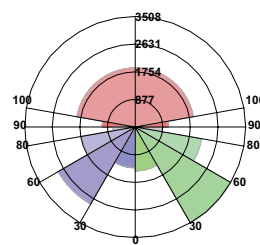
BUG rating : B2-U5-G5

Candlepower curve



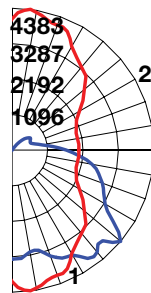
CUT reflector	
Catalog number	DL020-R3
Luminaire lumens	17,343
Luminaire efficacy rating (LER)	104
Input watts	166.37
Spacing criterion	
Spacing criterion (90–270)	
Spacing criterion (diagonal)	

Luminaire classification system



BUG rating : B3-U5-G5

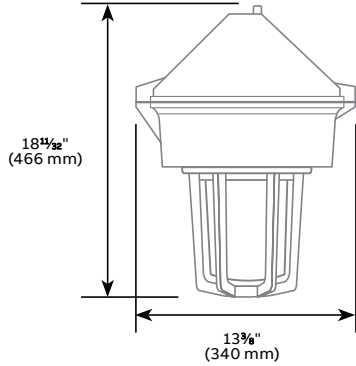
Candlepower curve



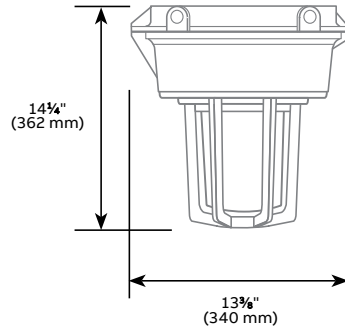
Hazlux® H3 LED

Mounting options

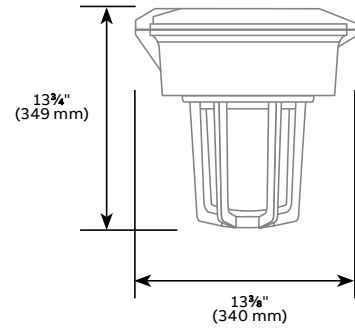
Cone-top pendant



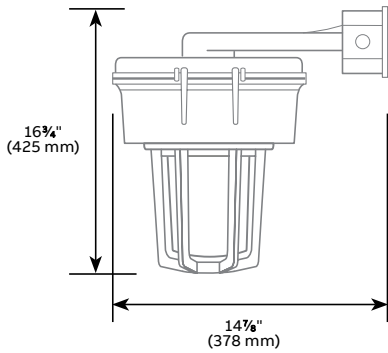
Ceiling and pendant mount



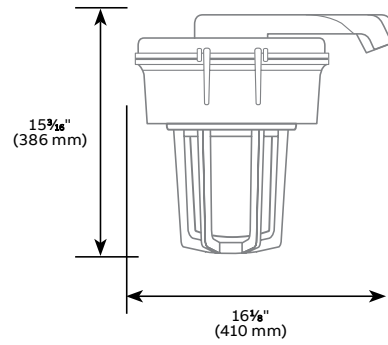
Rigid pendant mount



Wall mount



25° Angle stanchion



Straight stanchion

