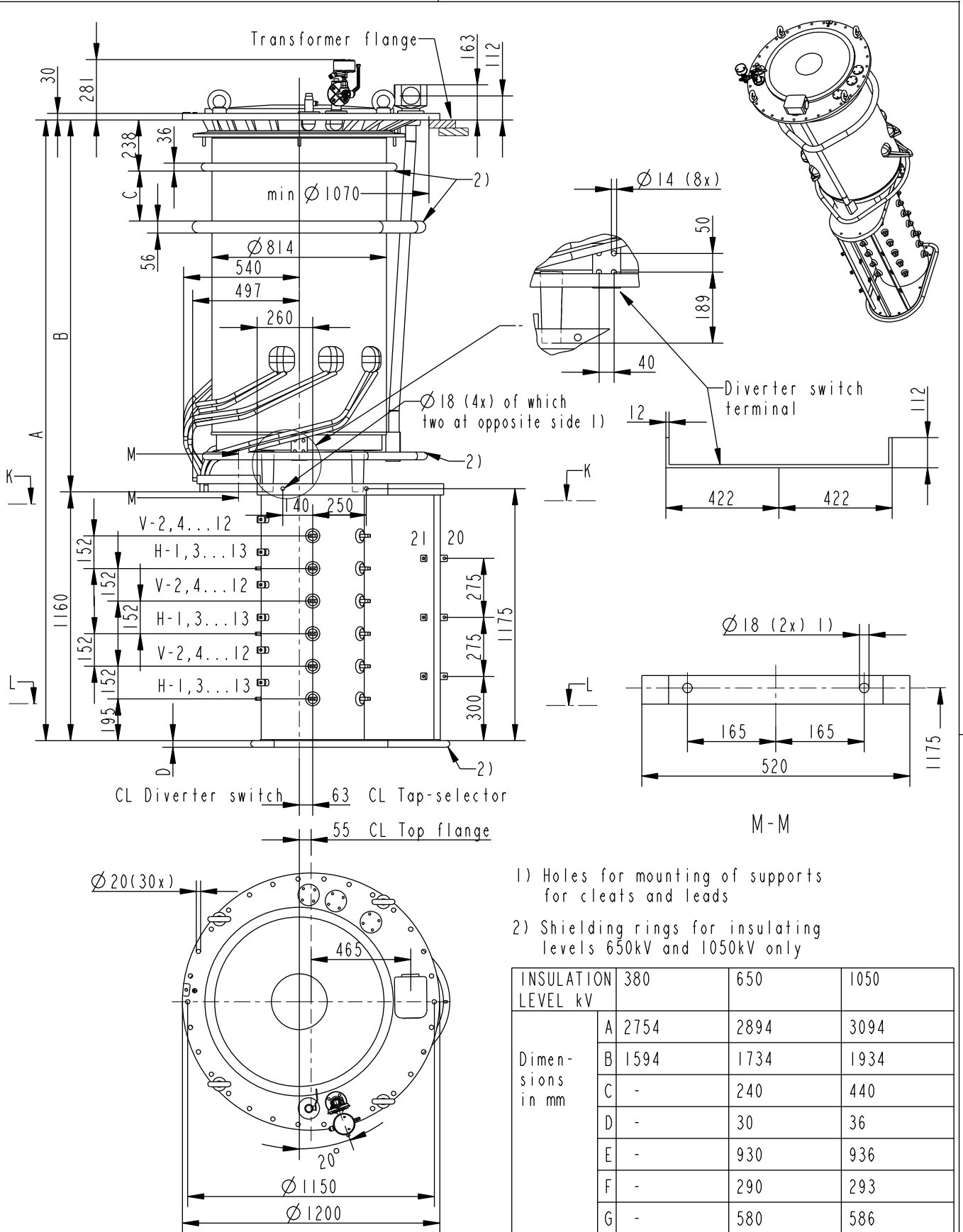


We reserve all rights in this document and in the information contained therein. Reproduction, use or disclosure to third parties without express authority is strictly forbidden. ©ABB



INSULATION LEVEL kV	380	650	1050
A	2754	2894	3094
B	1594	1734	1934
C	-	240	440
D	-	30	36
E	-	930	936
F	-	290	293
G	-	580	586

Based on	Reg. No.	Title TAP-CHANGER UCDR AND UCDD UCD.N XXXX/1000/III	Language en Page 1(2)
Prepared T Sapila 96-09-03	Responsible department COM/TK		
Approved M Eriksson	Take over department		
Revision Rev 3 06-10-02	Database DIMENSION_DWGS		
ABB Components		9, 13 pos	Document No. 54920091-5

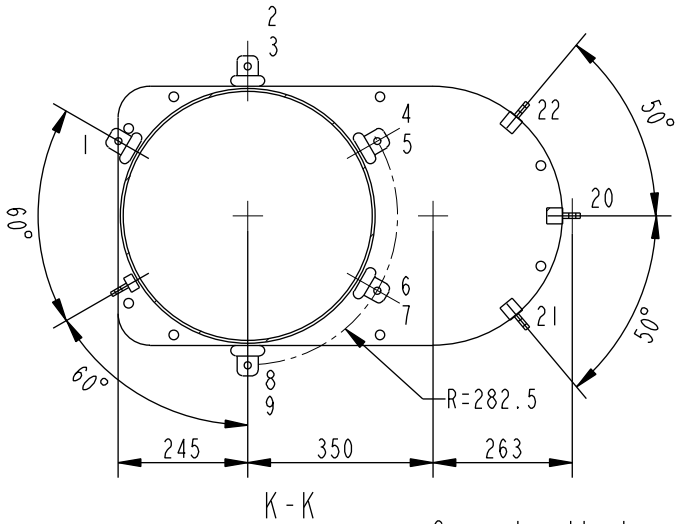
Inspection engineering review

Production engineering review

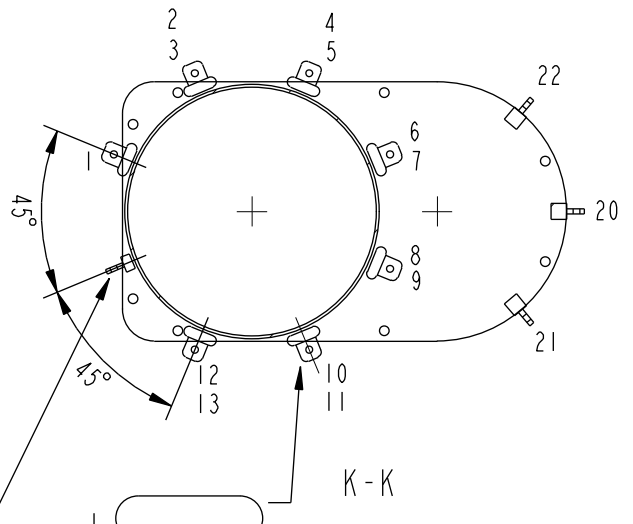
Design engineering review

We reserve all rights in this document and in the information contained therein. Reproduction, use or disclosure to third parties without express authority is strictly forbidden. ©ABB

9 POSITIONS

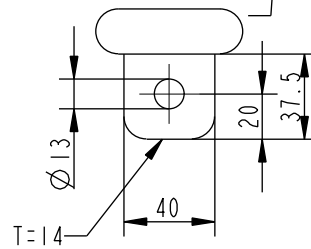
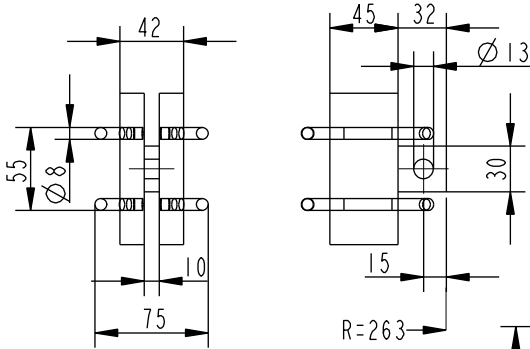


13 POSITIONS



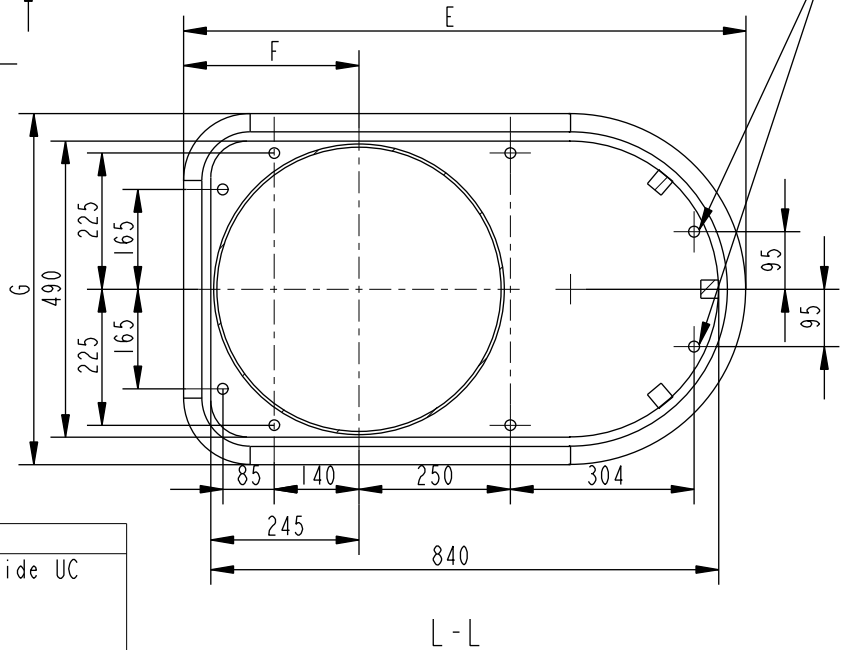
Current collector

Tap selector contact 20,21,22 with shields



Values for dim. E, F and G in table on page 1

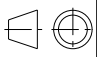

These holes also in top plate



ADDITIONAL DRAWINGS:

- Connection Diagrams: See Technical Guide UC
- Mounting on active part: 54920087-1
- Accessories: 54920087-2
- Motor Drive BUL: 54830001-1
- Motor Drive BUE: 54830001-2 or -3
- External Drive Shaft: 54920083-4
- Pressure Relay: 54920083-2
- Bevel Gear: 54920083-1

1) Holes for mounting of supports for cleats and leads

Based on	Reg. No.	Title	
Prepared T Sapila 96-09-03	Responsible department COM/TK	TAP-CHANGER UCDR AND UCDD UCD.N XXXX/1000/III	 Language en
Approved M Eriksson	Take over department		
Revision Rev.3 06-10-02	Database DIMENSION_DWGS	Document No.	54920091-5
 ABB Components			

Inspection engineering review

Production engineering review

Design engineering review