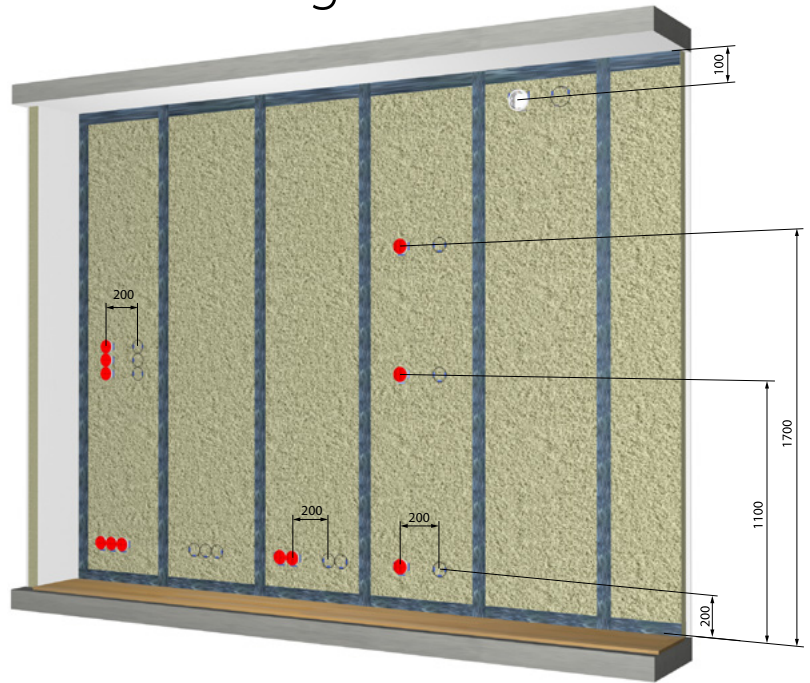


EI30 fire-rated wall




Installation instructions for mounting and junction boxes.

Fire-rated wall EI30, ABB mounting and junction boxes

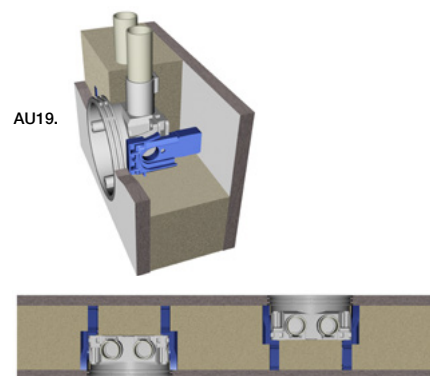
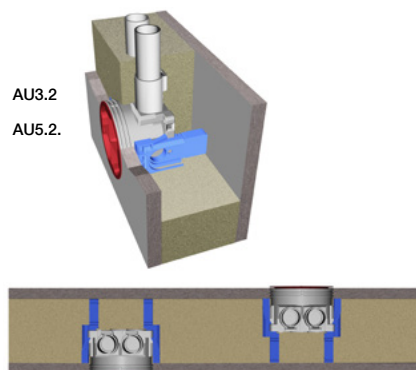
ABB mounting and junction boxes are tested and certified by VTT (Certificate No. VTT- C-11599-16) for installation in EI30 fire-rated walls according to these installation instructions.



Wall structure:

Steel or wooden frame c/c 600 mm. Min. 66 mm mineral wool 30 kg/m ³ . Boxes c/c 200 mm.											
	AU3.2	AU3.2	AU3.2	AU3.2	AU3.2	AU5.2	AU5.2	AU5.2	AU5.2	AU5.2	AU19
		2 pcs horizontal	3 pcs horizontal	2 pcs vertical	3 pcs vertical		2 pcs horizontal	3 pcs horizontal	2 pcs vertical	3 pcs vertical	
Installation height from the floor:											
200 mm	✓	✓	✓			✓	✓	✓			
1,100–1,700 mm	✓			✓	✓	✓			✓	✓	
Installation height from the ceiling:											
100 mm											✓

✓ = approved

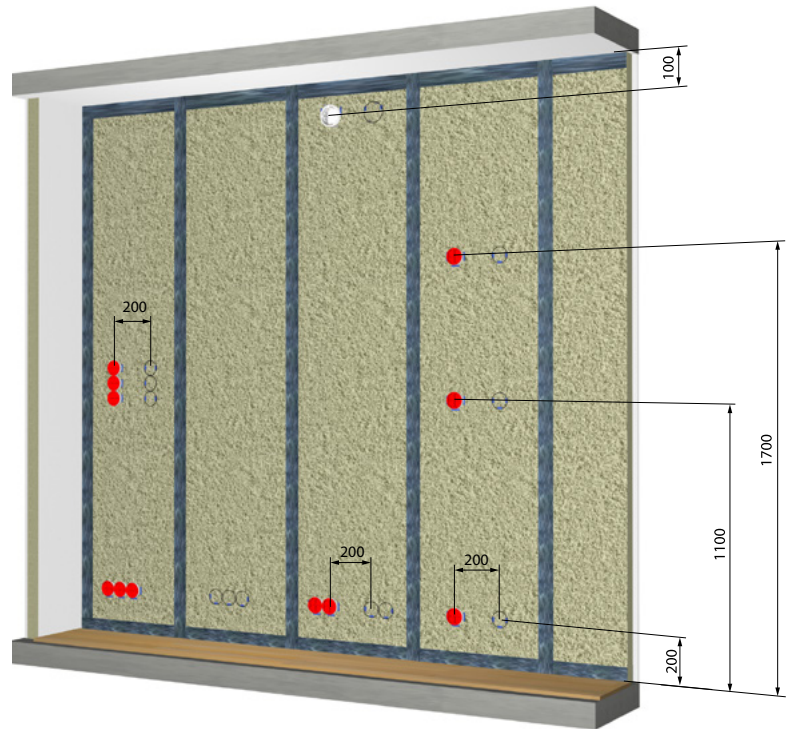


EI60 Fire-rated Wall

Installation instructions for mounting and junction boxes.

Fire-rated wall EI60, ABB mounting and junction boxes

ABB mounting and junction boxes are tested and certified by VTT (Certificate No. VTT- C-11599-16) for installation in EI60 fire-rated walls according to these installation instructions.



Wall structure:

Steel or wooden frame Min. 66 mm c/c 600 mm Min. 66 mm mineral wool 30 kg/m ³ . Boxes c/c 200 mm.								
	AU3.2	AU3.2	AU3.2	AU3.2	AU3.2	AU5.2	AU5.2	AU19
		2 pcs horizontal	3 pcs horizontal	2 pcs vertical	3 pcs vertical		2 pcs horizontal	
Installation height from the floor:								
200 mm	✓	✓	✓			✓	✓	
1,100 mm	✓			✓	✓	✓		
1,700 mm						✓		✓
Installation height from the ceiling:								
100 mm	✓					✓		✓

✓ = approved

