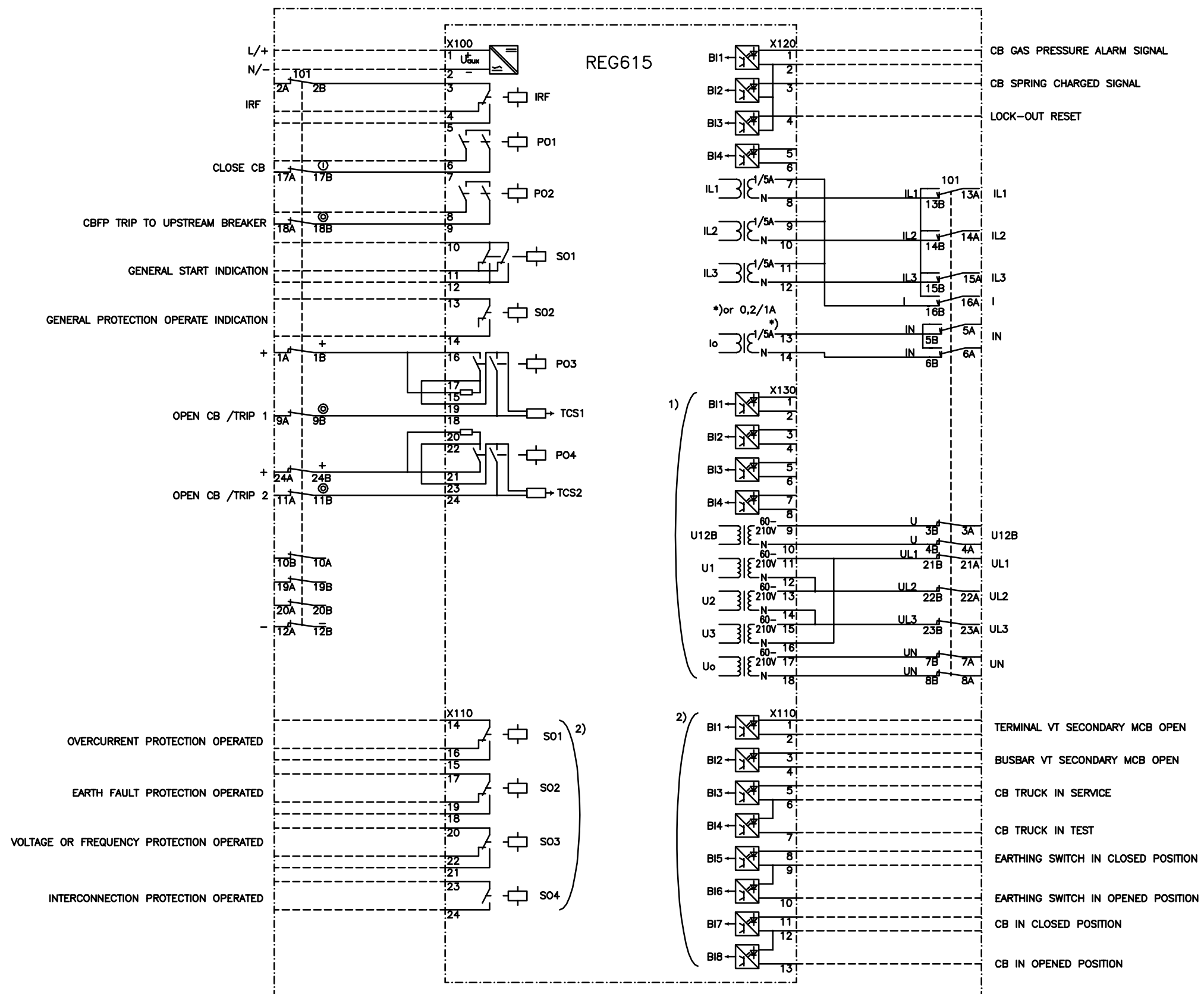


We reserve all rights in this document and in the information contained therein. Reproduction, use or disclosure to third parties without express authority is strictly forbidden. © ABB Oy.



101
 TEST SWITCH
 RXP 24
 RK 926 315-BB

MUUTOS REVISION
 C
 B

TEKI PREPARED 11.02.2015 S.Björklund	LITTTY CONCERNING	NIMITYS NAME TERMINAL DIAGRAM	
TARKASTI CHECKED Juhani Koivupuro	TOLERANSSIT TOLERANCES	REG615 INTERCONNECTION PROTECTION CONFIGURATION GE01 (A)	
HYVÄKSY APPROVED Tuomo Rintamäki	SUHDE SCALE	PROJ	LEHTI SHEET 1 / 2
ABB ABB Technology Ltd.	OSASTO DEPT. RSG	PIIRUSTUS NO DRAWING NO 2RCA035296	PAINOS REVISION A