

These documents/drawings and specifications are the exclusive property of ABB Inc and its parent company and affiliates (collectively, "ABB"). These documents shall only be used for purposes authorized in writing by ABB and for no other purposes. No other use or reproduction of these documents shall be permitted in any form, whether by electronic, mechanical, photocopying, recording or other means, without the prior written consent of ABB, and any unauthorized use or reproduction is strictly prohibited.

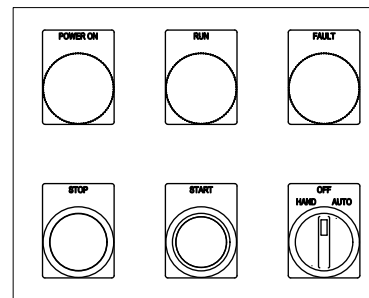
PSTX SOFT STARTER

TYPICAL COMPONENTS + LUGS & CABLES SIZES

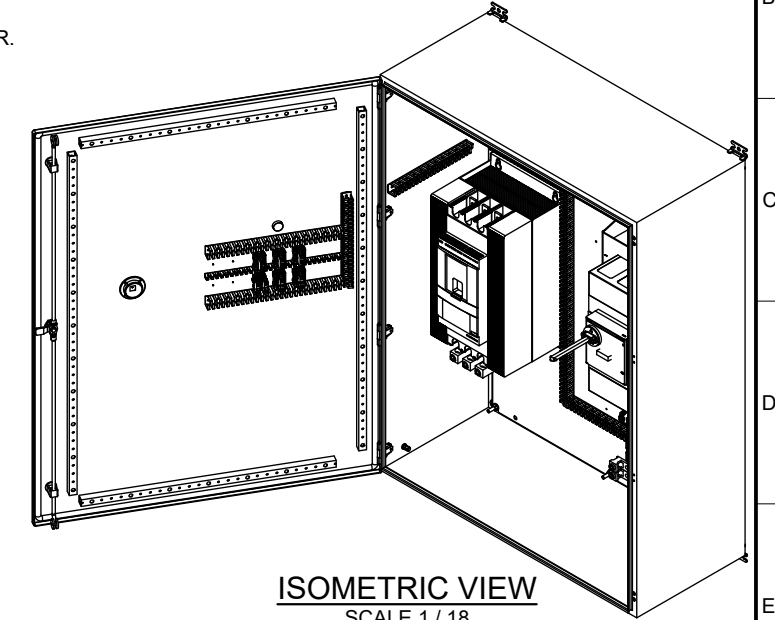
MODEL	HP	VOLTAGE	TYPE	PSTX	PSTX FLA	MAIN PROTECTION	INCOMING LUG	INCOMING CABLE	LOAD LUG	LOAD CABLE
X250-B2-48-ND	250HP	480V	12	PSTX300-600-70	302A	T6H600	3 x (2/0-400kcmil)	3 x 400kcmil max.	2 x (4-500kcmil)	2 x 500kcmil max.
X250-B3-48-ND	250HP	480V	3R	PSTX300-600-70	302A	T6H600	3 x (2/0-400kcmil)	3 x 400kcmil max.	2 x (4-500kcmil)	2 x 500kcmil max.
X250-B4-48-ND	250HP	480V	4	PSTX300-600-70	302A	T6H600	3 x (2/0-400kcmil)	3 x 400kcmil max.	2 x (4-500kcmil)	2 x 500kcmil max.
X300-B2-48-ND	300HP	480V	12	PSTX370-600-70	361A	T6H600	3 x (2/0-400kcmil)	3 x 400kcmil max.	2 x (4-500kcmil)	2 x 500kcmil max.
X300-B3-48-ND	300HP	480V	3R	PSTX370-600-70	361A	T6H600	3 x (2/0-400kcmil)	3 x 400kcmil max.	2 x (4-500kcmil)	2 x 500kcmil max.
X300-B4-48-ND	300HP	480V	4	PSTX370-600-70	361A	T6H600	3 x (2/0-400kcmil)	3 x 400kcmil max.	2 x (4-500kcmil)	2 x 500kcmil max.

NOTES:

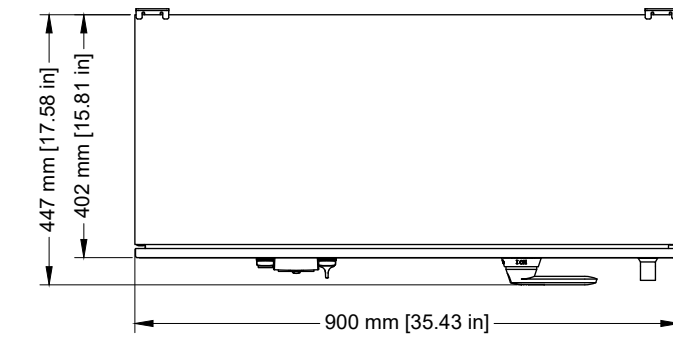
- 1- MOUNTING BRACKETS TO BE INSTALLED BY CUSTOMER.
- 2- ENCLOSURE FINISH IS RAL7035 LIGHT GREY.
- 3- TYPICAL COMPONENTS BASED ON 480V AND 120V CONTROL VOLTAGE.
- 4- CONTROL CABLES AND INTERNAL POWER CABLES ACCORDING TO SCHEMATIC DIAGRAM.
- 5- INCOMING & LOAD CABLE MAXIMUM SIZES ARE BASED ON UL508A TABLE 25.1 "WIRE BENDING SPACE AT FIELD WIRING TERMINALS" AND DEVICE LUG SIZE.



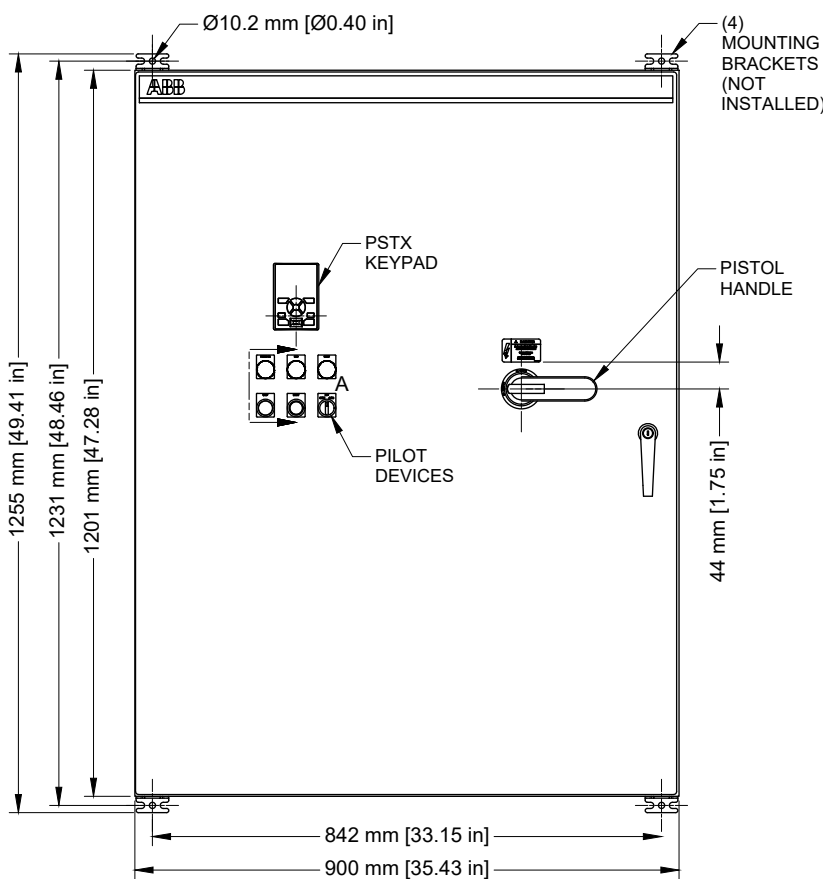
DETAIL A
SCALE 1 / 3



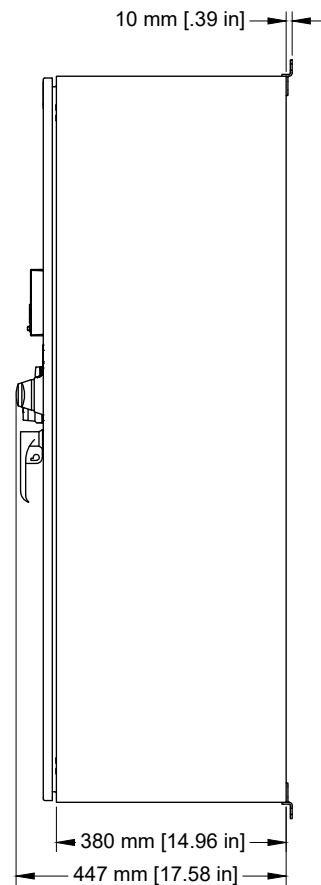
ISOMETRIC VIEW
SCALE 1 / 18



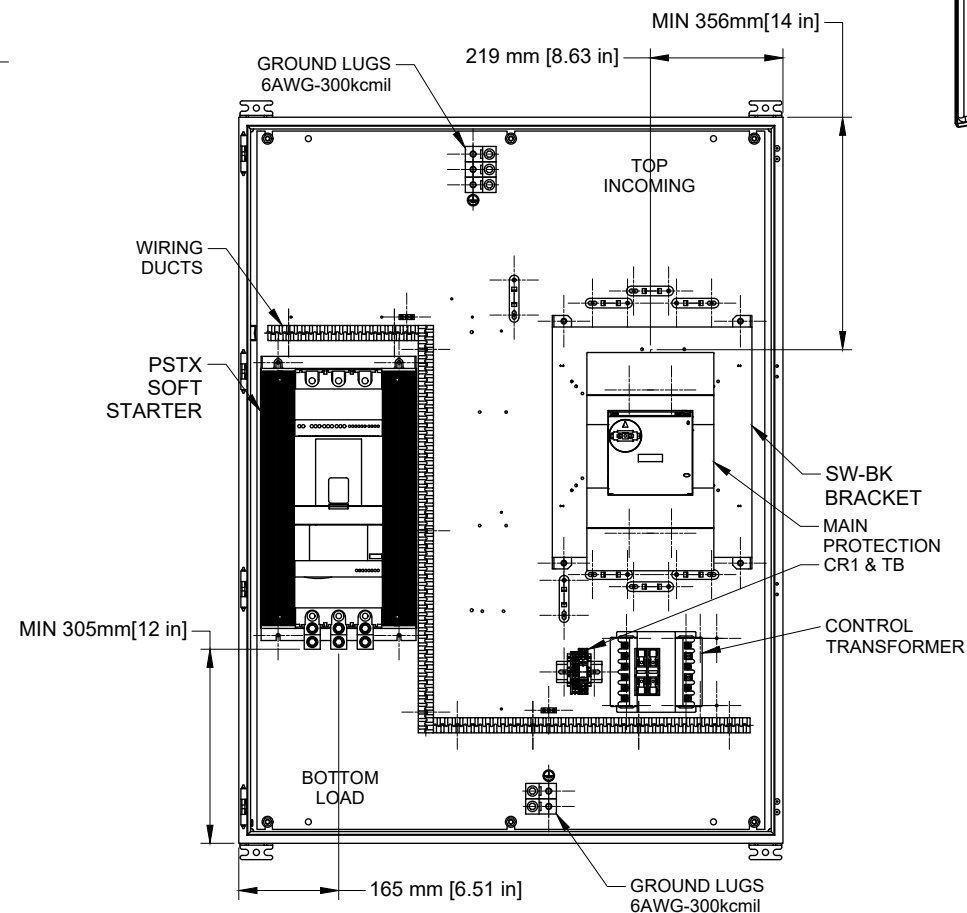
TOP VIEW
SCALE 1 / 12



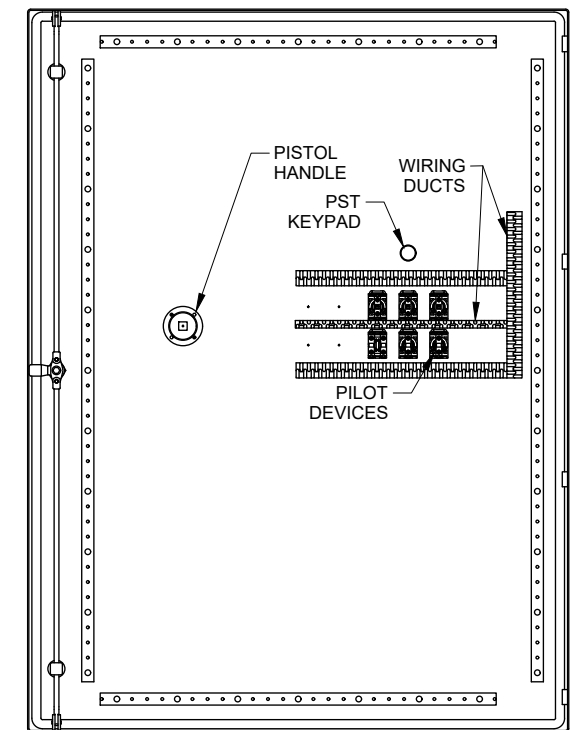
FRONT VIEW
SCALE 1 / 12



SIDE VIEW
SCALE 1 / 12



INSIDE PANEL VIEW
SCALE 1 / 12



INSIDE DOOR VIEW
SCALE 1 / 12

Rev.	Description	Revised By	Revision Approved By	Date
D	No change in drawing, Released in GPLM to support TOW from Montreal to Senatobia - ECN000346751	VAYU	ANIL BP	4/2/2024
03	ABB1910021148E UPDATE WITH MODULAR PILOT DEVICES	O. KRAVTSOV	A. FODOR	4/30/2020
02	PSTX MOVED UP, BREAKER MOVED DOWN, INCOMING CABLE UPDATE	O. KRAVTSOV	A. FODOR	6/20/2019
01	GENERAL REVISION	R. LEDUC	A. OSOSKOV	1/9/2019

Description:
ENCLOSED PSTX SOFT STARTER PSTX300-370 TYPE 12-3R-4 NORMAL DUTY (ND) 480VOLTS

Customer information:

Approved by:
A. OSOSKOV
Checked by:
R. LEDUC
Drawn by:
A. MORIN

Drawing type:
MECHANICAL DRAWING
Part number:
SEE TABLE
ABB ABB Inc. EPPC

Department:
EPPC
Date:
5/2/2018

Drawing number:
M-SST-300074

Contract number:

Revision:
D
Paper size:
B
Page:
1 / 1