

**DEH41463 Installation
Instructions**

**EntelliGaurd® G Circuit
Breaker Accessories**

Flat Front Terminations for Fixed
Breaker

Flat front Terminations
Envelope 2.5 (Up to 4000A)
Envelope 3 (Up to 6400A)

Terminal assemblies are supplied with the
Entelliguard breaker.

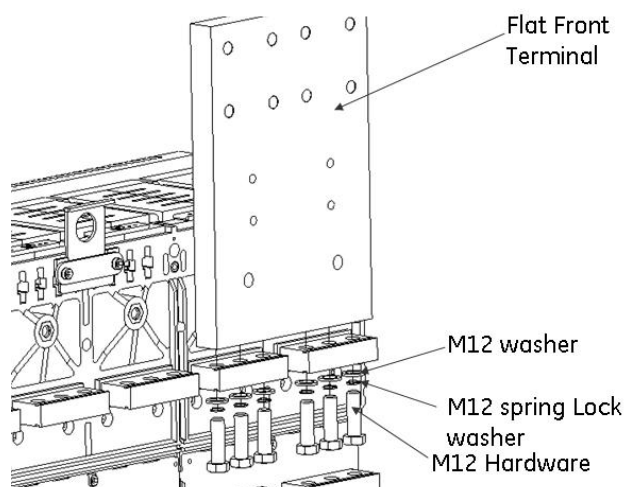


Fig A. Flat front Termination

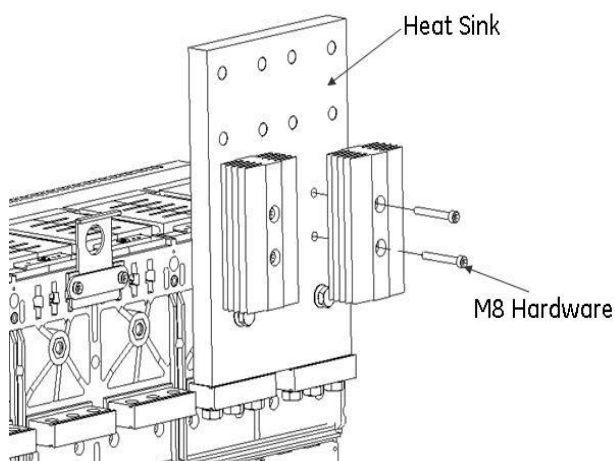


Fig B. Heat Sink Assembly

WARNING: Before installing any accessories, turn the breaker OFF, disconnect it from all voltage sources, and discharge the closing springs.

AVERTISSEMENT: Avant d'installer tout accessoire, mettre le disjoncteur en position OFF, le déconnecter de toute tension d'alimentation, et décharger les ressorts d'armement

Flat Front Terminations Assembly Procedure:

1. Turn the breaker off and discharge the closing springs by depressing the OFF and ON buttons in the sequence OFF-ON-OFF. Verify that the breaker OFF-ON indicator shows OFF on a green background and that the charge indicator shows DISCHARGE on a white background.
2. Assemble the Flat Front to the rear terminals with M12 Hardware as shown in Fig A., Tighten the hardware to torque 50N-m (36.9 ft-lbs)
3. Assemble the Heat Sink with M8 Hardware to Flat Front as shown in Fig B. Tighten to torque 12-14N-m (8.9-10.3 ft-lbs)
4. Similarly populate the Flat Front and Heat sink on all other terminals as shown in fig B & C.
5. The bus bars to be supported within 200mm distance and tightened to 50Nm (36.9 ft-lbs) torque.

Catalogue No:

Catalog #	Description
GBB3TBF3	Envelope 3-3pole 4000-6000A
GBB3TBF4	Envelope 3-4pole 4000-6000A
GBBNTBF3	Envelope 2.5-3pole 800A - 4000A

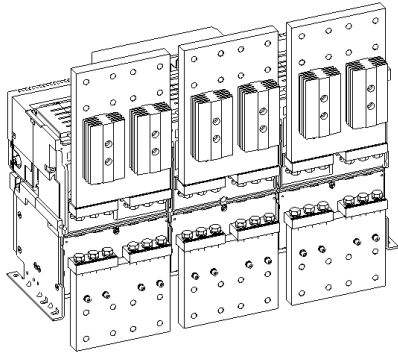


Fig C. Envelope 3, 3 Pole

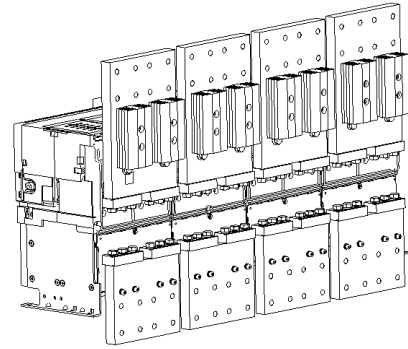


Fig D. Envelope 3, 4 Pole

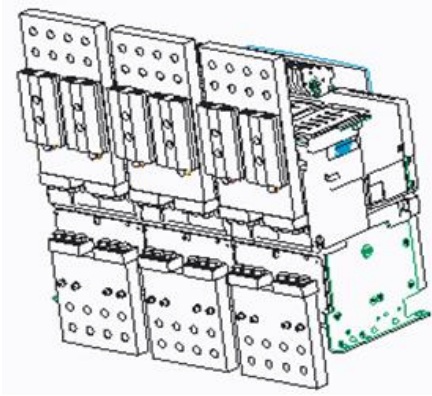


Fig E. Envelope 2.5, 3 Pole

These instructions do not cover all details or variations in equipment nor do they provide for every possible contingency that may be met in connection with installation, operation, or maintenance. Should further information be desired or should particular problems arise that are not covered sufficiently for the purchaser's purposes, the matter should be referred to the ABB Inc.

—
ABB Inc.
305 Gregson Drive
Cary, NC 27511.
electrification.us.abb.com

—
We reserve the right to make technical changes or modify the contents of this document without prior notice. With regard to purchase orders, the agreed particulars shall prevail. ABB Inc. does not accept any responsibility whatsoever for potential errors or possible lack of information in this document.

We reserve all rights in this document and in the subject matter and illustrations contained therein. Any reproduction or utilization of its contents – in whole or in parts – is forbidden without prior written consent of ABB Inc.
Copyright© 2019 ABB
All rights reserved