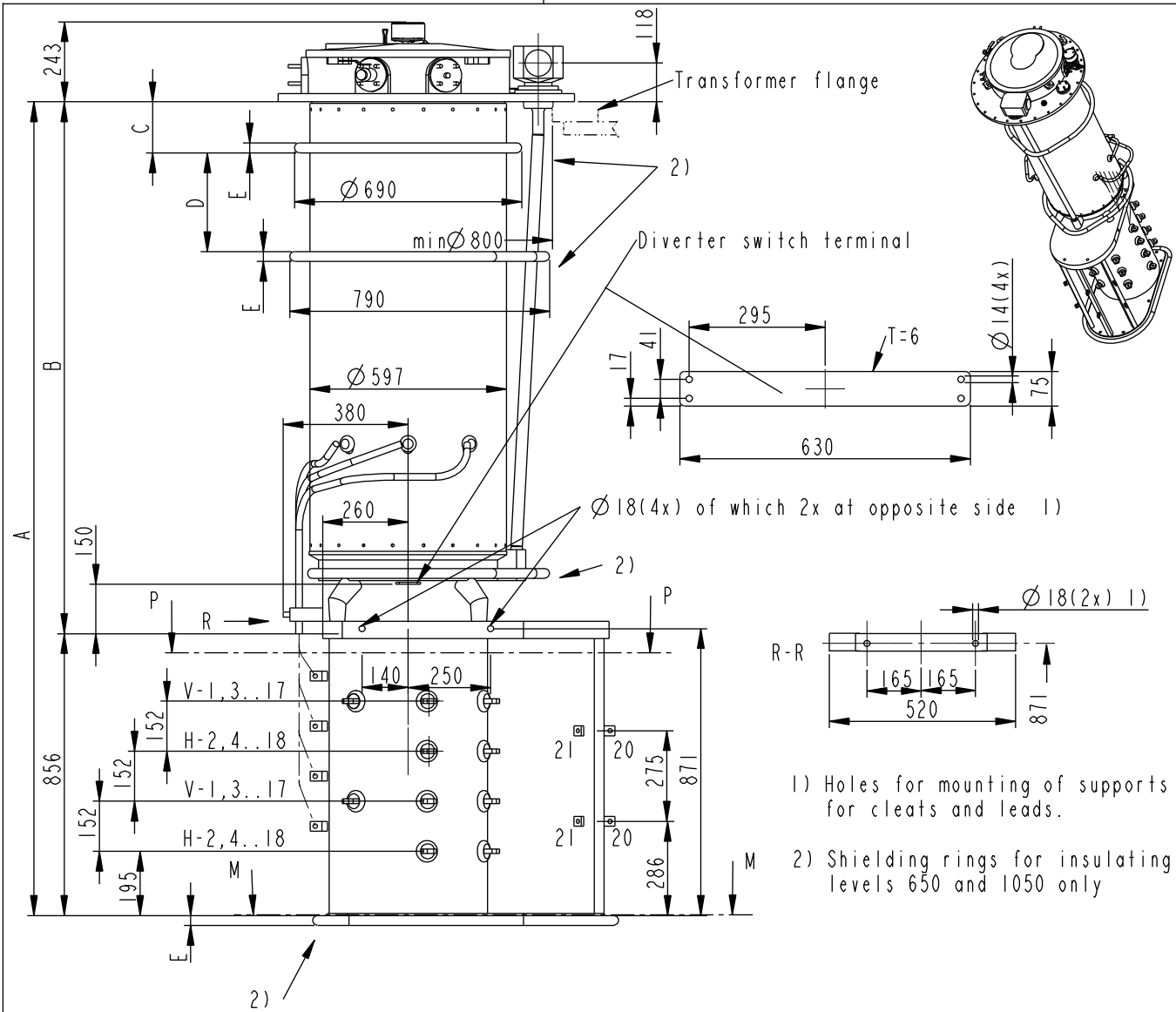
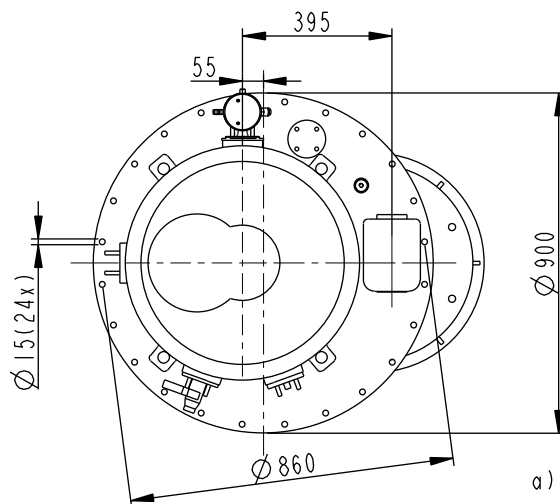


We reserve all rights in this document and in the information contained therein. Reproduction, use or disclosure to third parties without express authority is strictly forbidden. ©ABB



1) Holes for mounting of supports for cleats and leads.

2) Shielding rings for insulating levels 650 and 1050 only



| INSULATION LEVEL kV | 380     | 650     | 1050    |
|---------------------|---------|---------|---------|
| A                   | 2271 a) | 2471 a) | 2671 a) |
| B                   | 1415 a) | 1615 a) | 1815 a) |
| C                   | -       | 155 a)  | 158 a)  |
| D                   | -       | 300     | 494     |
| E                   | -       | 30      | 36      |
| H                   | -       | 930     | 936     |
| J                   | -       | 290     | 293     |
| K                   | -       | 580     | 586     |

a) For mounting on active part use A+85, B+85 and C+85 (See also Drawing 54920086-1)

|                                 |                                  |   |             |
|---------------------------------|----------------------------------|---|-------------|
| Based on                        | Reg. No.                         | Title   |             |
| Prepared<br>B Hultgren 96-05-28 | Responsible department<br>COM/TK | TAP-CHANGER UCLR AND UCLD                     |             |
| Approved<br>M Eriksson          | Take over department             | UCL.B(2PHASE) XXXX/600/III                    |             |
| Revision<br>Rev 4 06-10-06      | Database<br>DIMENSION_DWGS       | 11, 15, 16-19, 21-23, 25-27, 29-31, 33-35 pos |             |
|                                 |                                  | Document No.                                  | 54920085-22 |

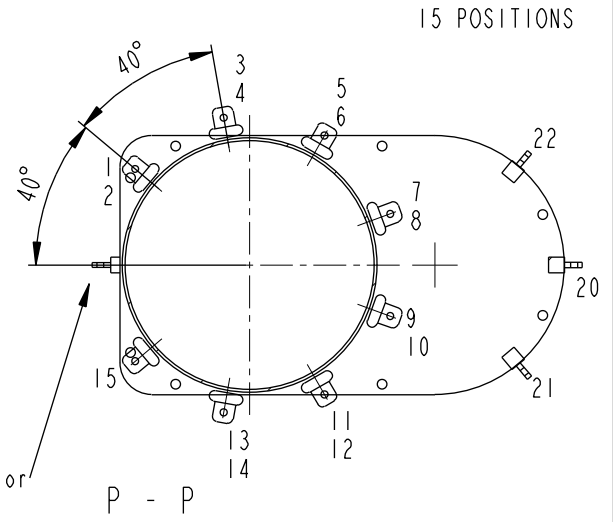
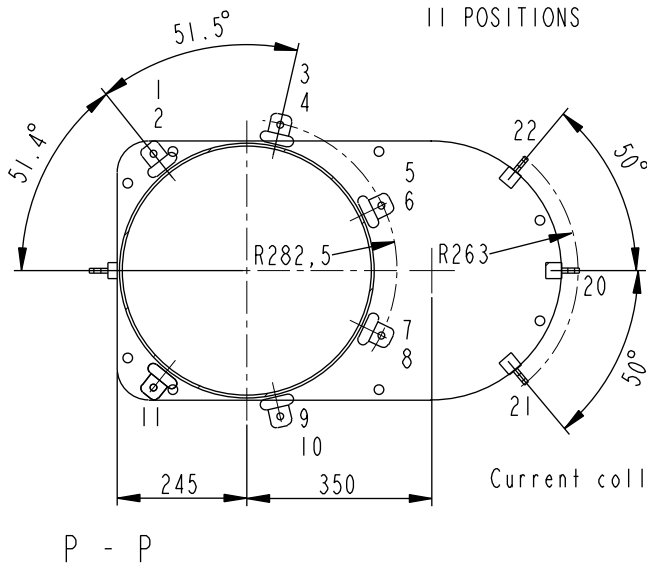
Inspection engineering review

Production engineering review

Design engineering review

Language  
en  
Page  
1(3)

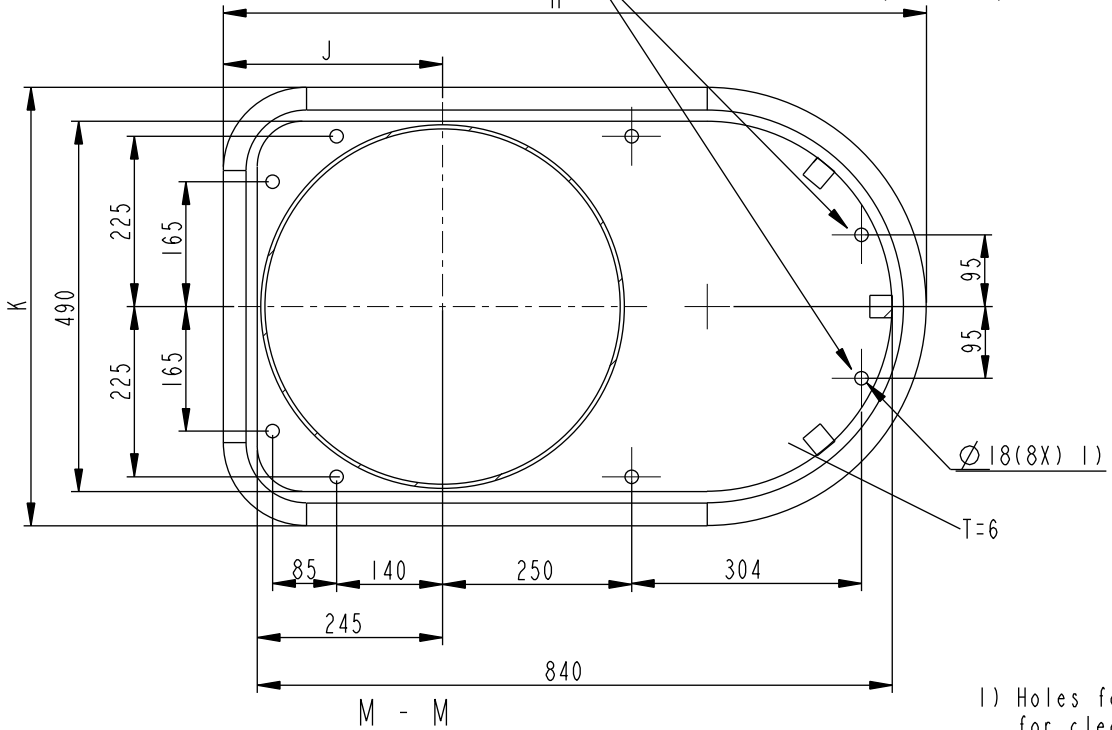
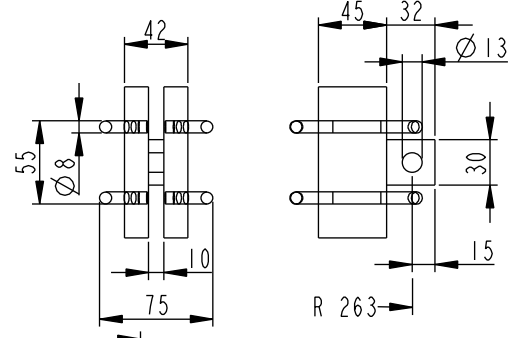
We reserve all rights in this document and in the information contained therein. Reproduction, use or disclosure to third parties without express authority is strictly forbidden. ©ABB



Tap selector contact 20,21,22 with shields

Values for dim. H, J and K in table on page 1

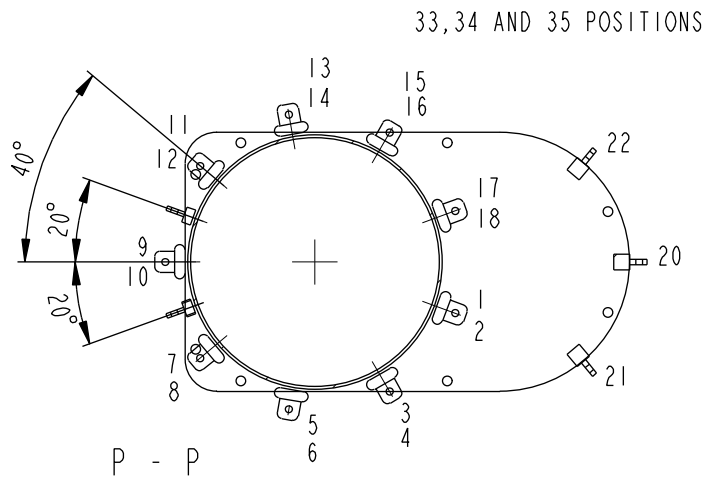
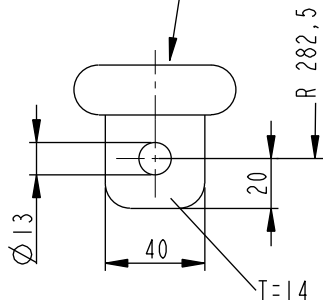
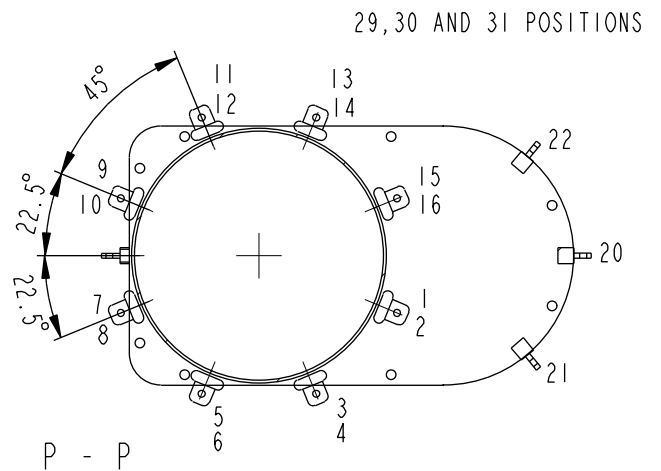
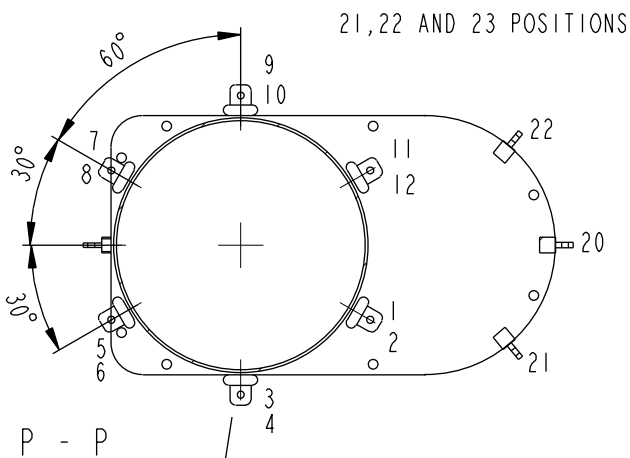
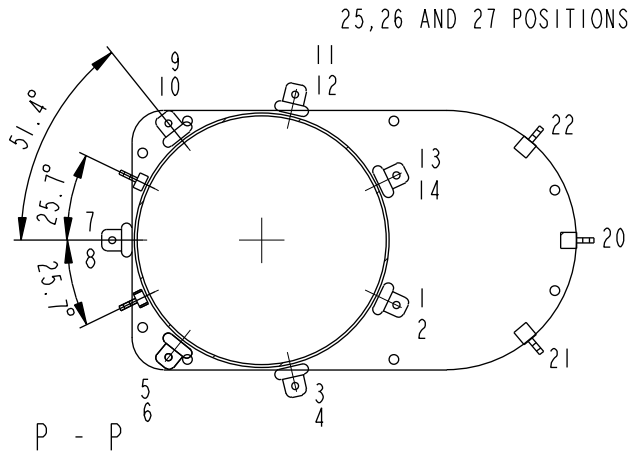
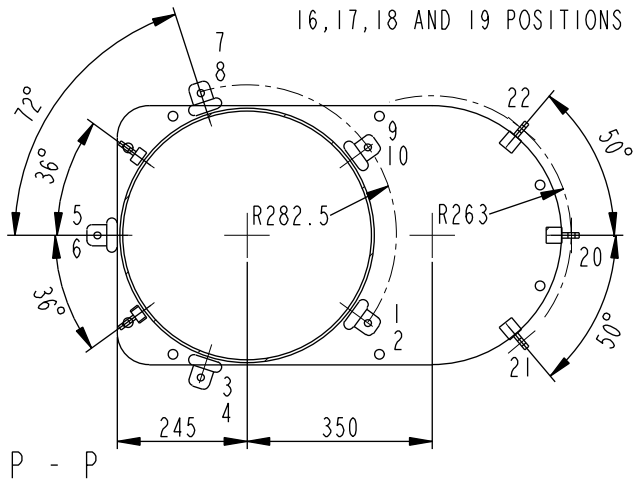
These two holes also in top plate



1) Holes for mounting of supports for cleats and leads

|                               |                                 |                                  |  |                             |
|-------------------------------|---------------------------------|----------------------------------|--|-----------------------------|
| Inspection engineering review | Based on                        | Reg. No.                         | Title<br>TAP-CHANGER UCLR AND UCLD<br>UCL.B(2PHASE) XXXX/600/III | Language<br>en              |
| Production engineering review | Prepared<br>B Hultgren 96-05-28 | Responsible department<br>COM/TK |  |                             |
| Design engineering review     | Approved<br>M Eriksson          | Take over department             | Page<br>2(3)   | Document No.<br>54920085-22 |
|                               | Revision<br>Rev.4 06-10-06      | Database<br>DIMENSION_DWGS       |  |                             |
| <b>ABB</b> ABB Components     |                                 |                                  |  |                             |

We reserve all rights in this document and in the information contained therein. Reproduction, use or disclosure to third parties without express authority is strictly forbidden. ©ABB



**ADDITIONAL DRAWINGS:**  
 Connection Diagrams: See Technical Guide UC  
 Mounting on active part: 54920086-1  
 Accessories: 54920086-2  
 Motor Drive BUL: 54830001-1  
 Motor Drive BUE: 54830001-2 or -3  
 External Drive Shaft: 54920083-4  
 Pressure Relay: 54920083-2  
 Bevel Gear: 54920083-1

|                               |                                 |                                  |                      |  |              |
|-------------------------------|---------------------------------|----------------------------------|----------------------|--|--------------|
| Inspection engineering review | Production engineering review   | Based on                         | Reg. No.             | Title<br>TAP-CHANGER UCLR AND UCLD<br>UCL.B(2PHASE) XXXX/600/III |              |
| Design engineering review     | Prepared<br>B Hultgren 96-05-28 | Responsible department<br>COM/TK | Take over department |  |              |
|                               | Approved<br>M Eriksson          | Database<br>DIMENSION_DWGS       |                      |  | Page<br>3(3) |
|                               | Revision<br>Rev.4 06-10-06      | Document No.<br>54920085-22      |                      |  |              |



**ABB Components**