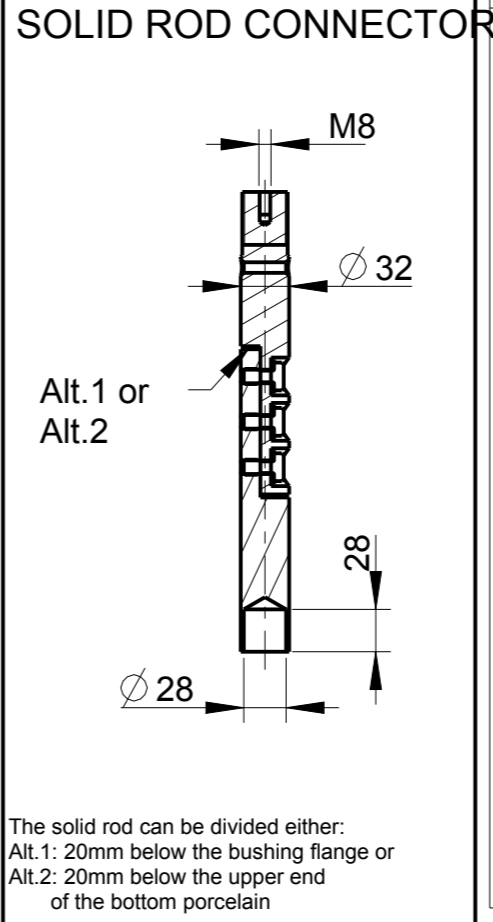
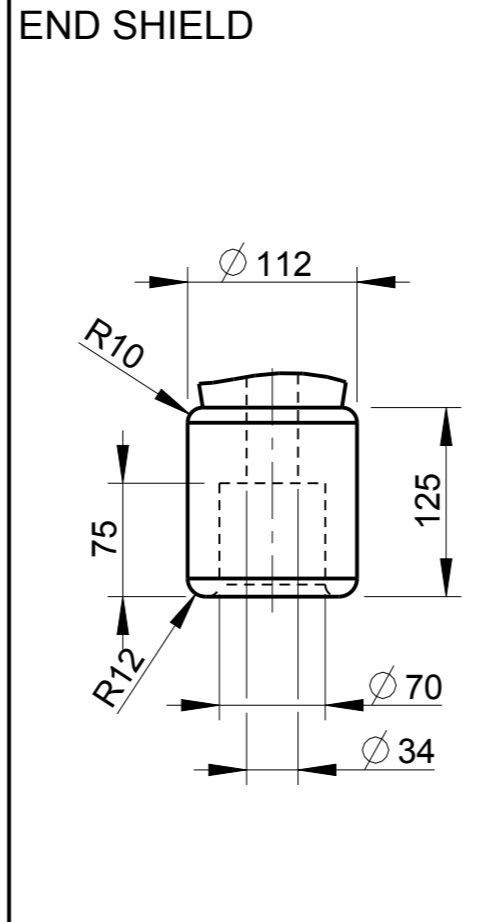
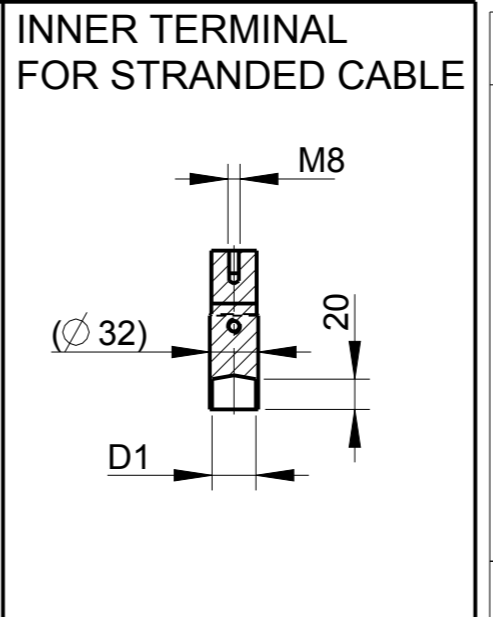
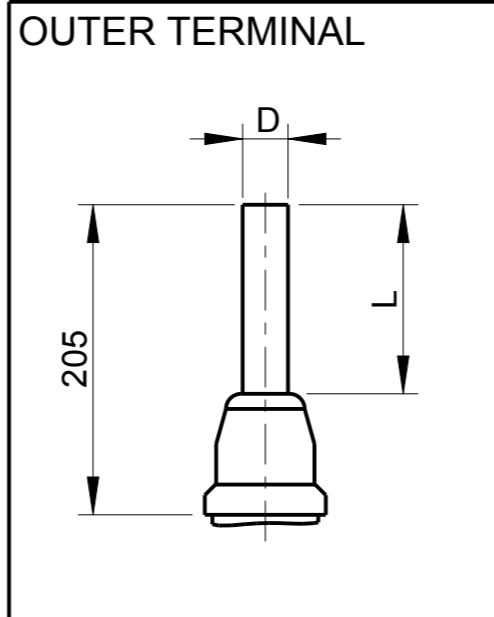
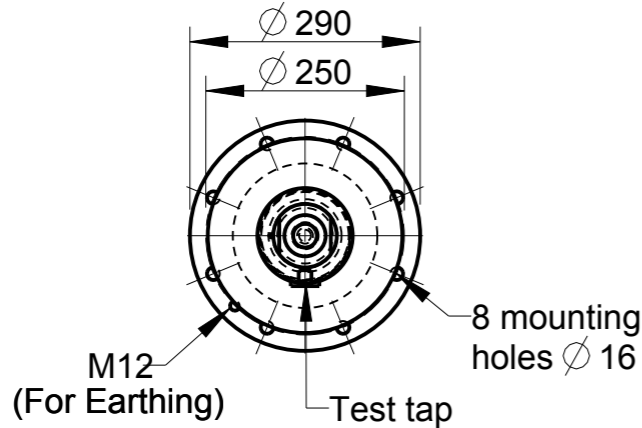
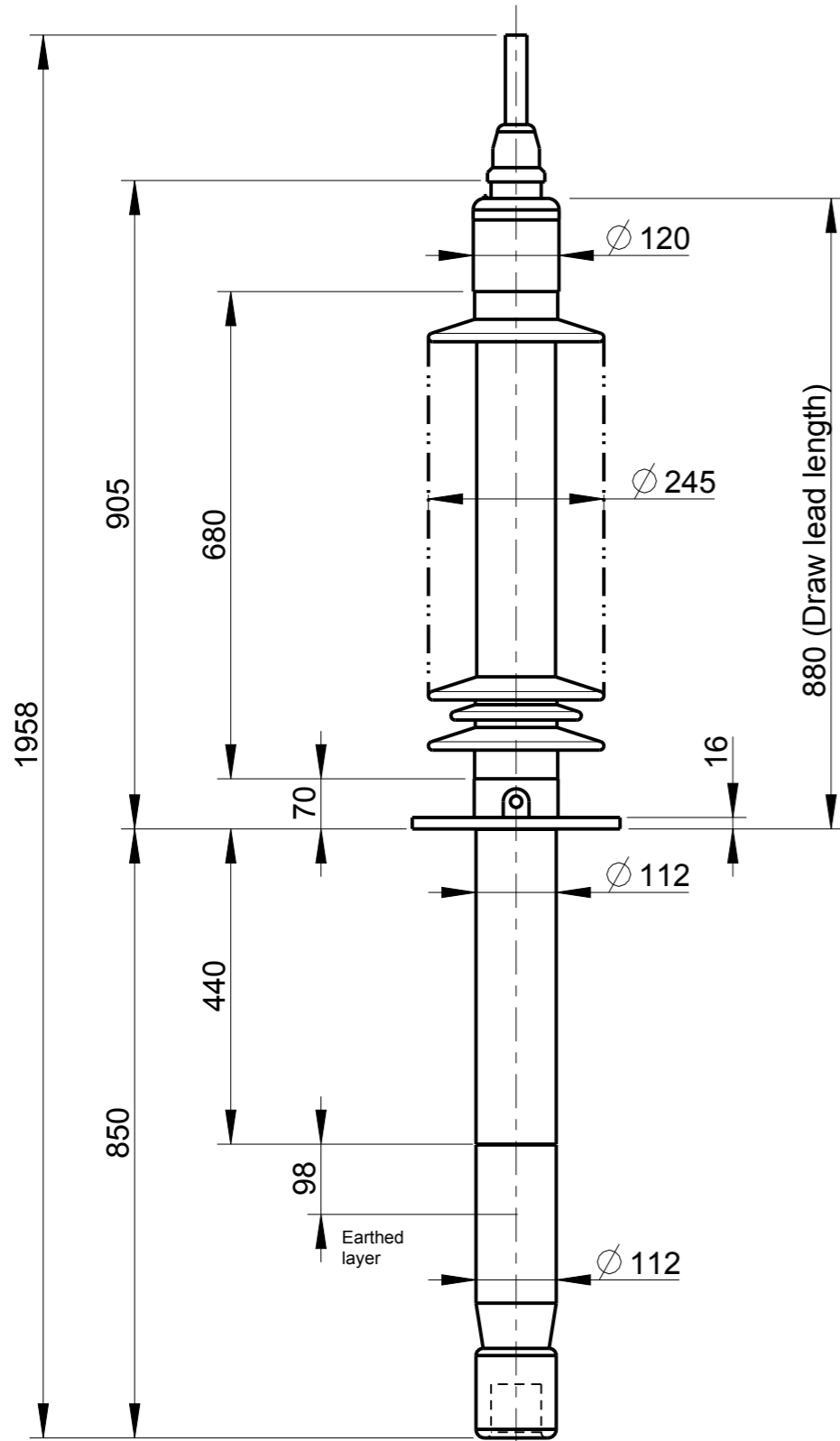


This document is issued by means of a computerized system. The digitally stored original is electronically approved. The approved document has a date entered in the 'Approved'-field. A manual signature is not required.

The information contained in this document has to be kept strictly confidential. Any unauthorized use, reproduction, distribution or disclosure to third parties are strictly forbidden. ABB reserves all rights regarding Intellectual Property Rights. © Copyright 2013 ABB. All rights reserved.



Bushing Data:

Rated Voltage	100	kV
Phase to Ground Voltage	72.5	kV
Dry Lightning Impulse 1,2/50µs	380	kV
Wet power frequency AC	150	kV
Routine test 1min dry 50Hz	162	kV
Rated Current	1250	A
Creepage Distance	2500±70	mm
Creepage Distance Protected	980	mm
Mass	43	kg

Ordering Data:

BUSHING		COLOUR AIR INSULATOR	
LF123097-M		BROWN	
-N		LIGHT GREY	
OUTER TERMINAL		Material D L	
LF 170 002-B		Cu alloy, Ø 30,125	
LF 170 001-B		Al, Ø 30,125	
OTHER TYPES ON REQUEST			
INNER TERMINAL FOR STRANDED CABLE			
For brazing	Conductor area	D1	
LF 170 011-T	up to 285mm²	Ø 29	
LF 170 011-V	Undrilled with pilot hole	Ø 5	
SOLID ROD CONNECTOR		Material	
LF 170 052 -AA for Alt.1		Cu	
LF 170 052 -Y for Alt.2		Cu	
Note:			
Mounting inclination 0-45°.			
⚠ For inclined and horizontal mounting, see Installation and Maintenance Guide.			

ABB		Ludvika, Sweden	
No.			
Um/Uy	kV Ir	A	50/60 Hz
BL	kV SL	kV AC	kV
M	kg L	mm	V
C1	pF Tan δ	x	
C2	pF Tan δ	x	

Prepared	iladmin	2008-04-30	Responsible department	PPCO/BK	Title	GOB 380-1250-0.5
Modified by	Palpandi K	2013-04-26	Take over department			
Approved by	Niklas Olsson	2013-05-07	Used in product			WITHOUT OIL LEVEL GAUGE LONG END SHIELD
Revision	B	Note added			Order	1
					Document no.	2751369-138
						No. Shfts. (1)

