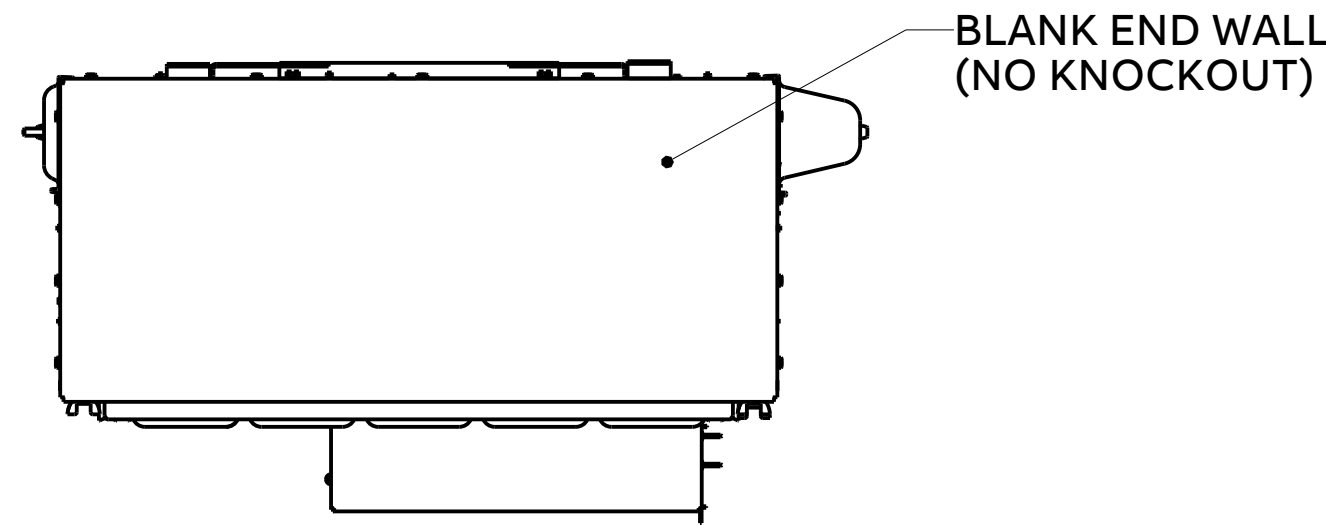
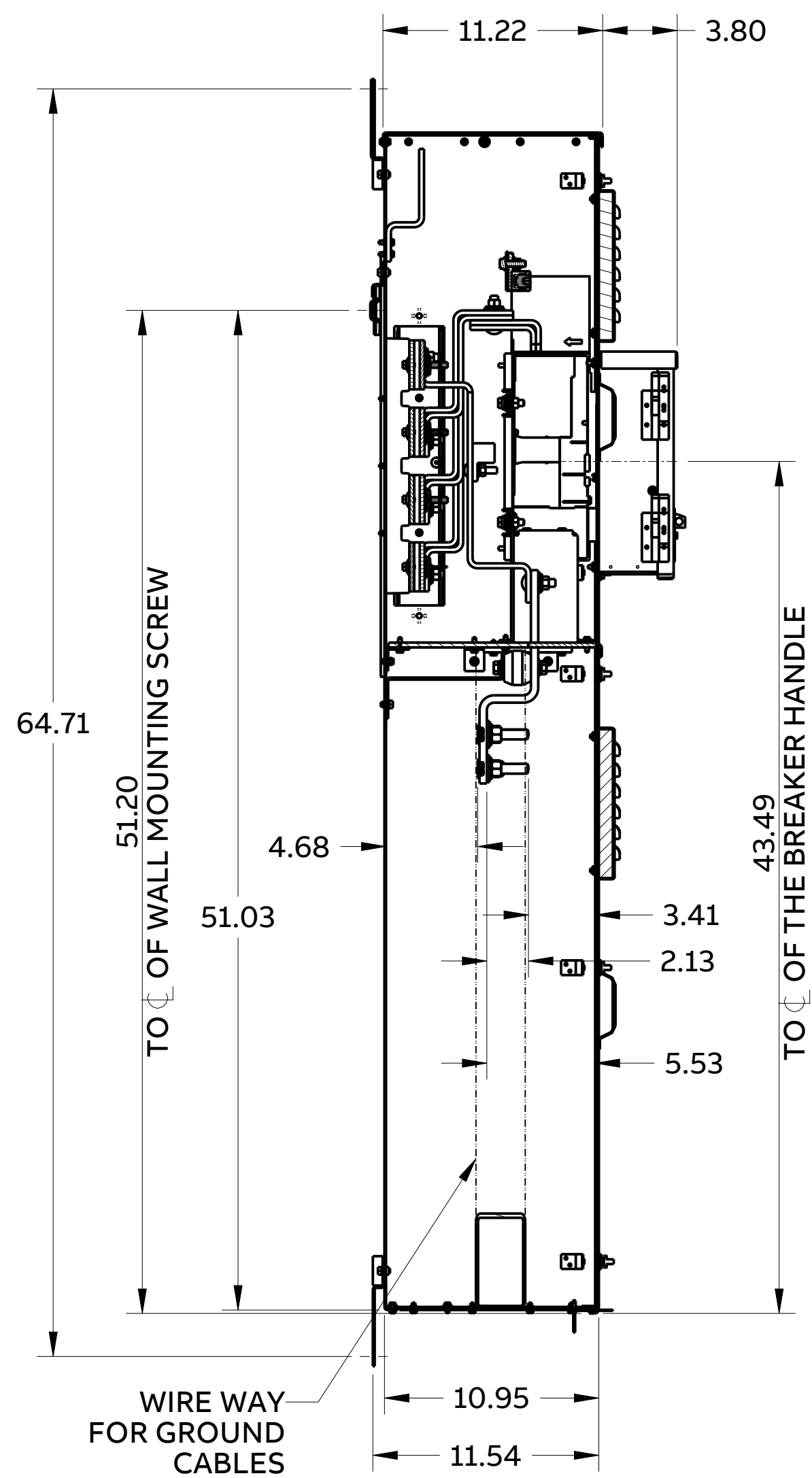


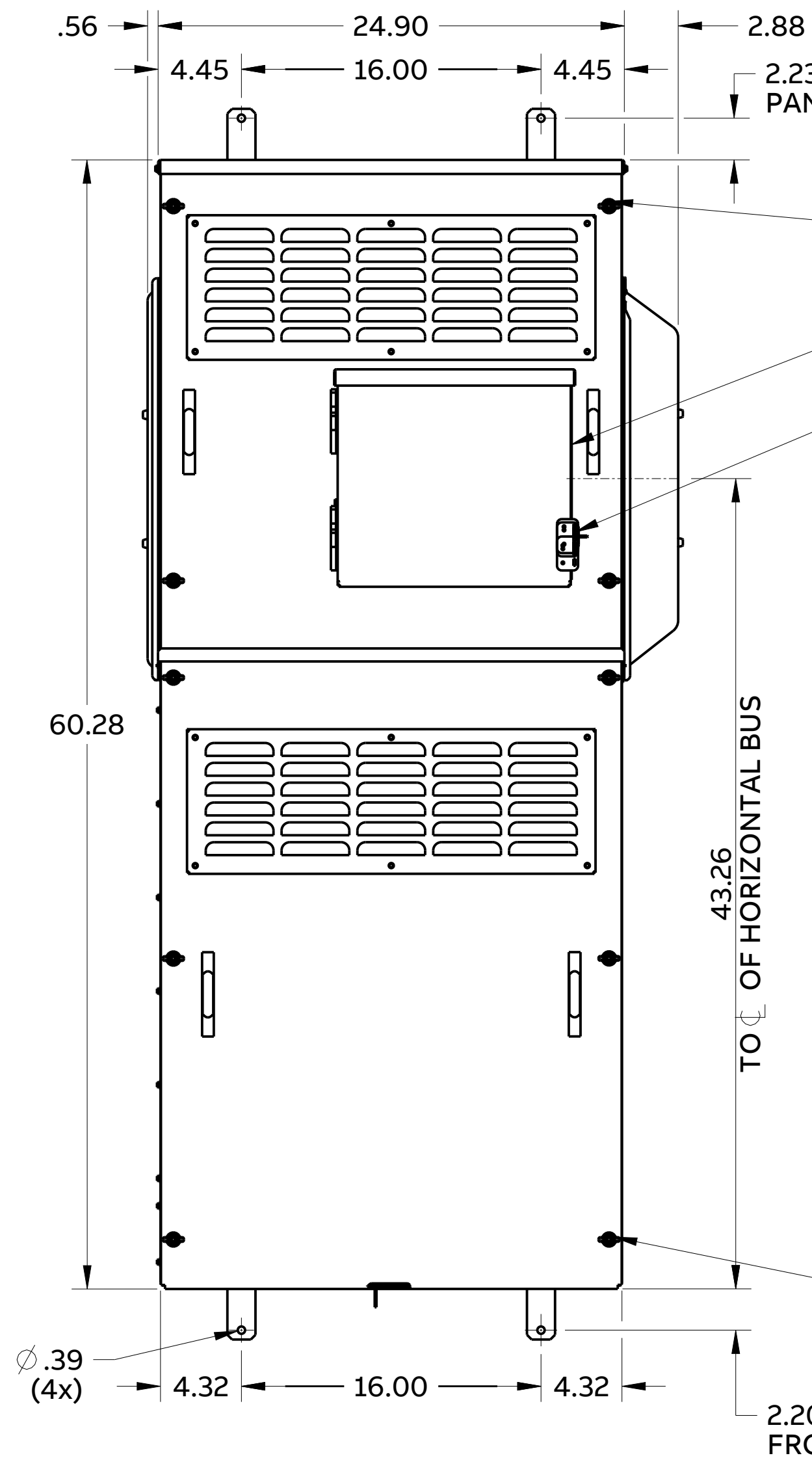
**TOP VIEW**



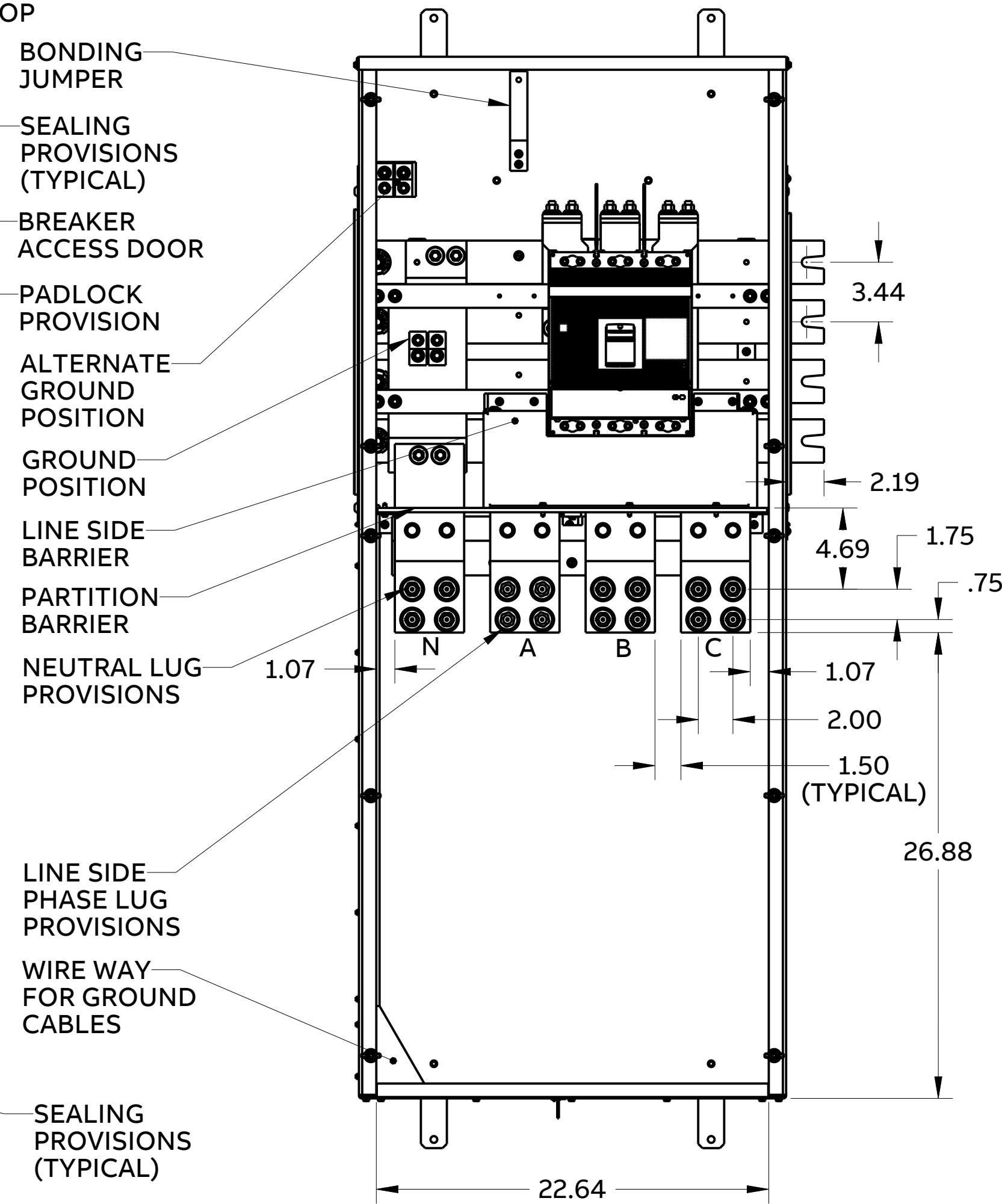
**SECTIONAL SIDE VIEW**



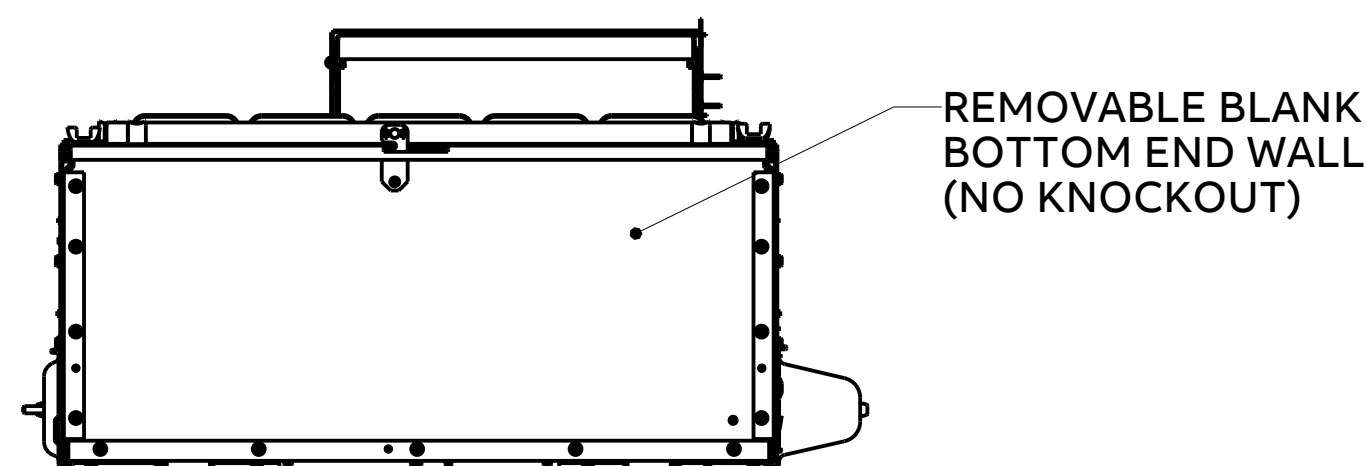
**FRONT VIEW**



**FRONT VIEW (WITH OUT FRONT COVERS)**



**BOTTOM VIEW**



**Specification:**

- Phase: 3-Phase 4-Wire
- Voltage: 208Y/120V
- Amperage: 800A
- Circuit Breaker Frame: XT6S
- Circuit Breaker Trip Unit: TMA
- Circuit Breaker kAIC: 100kA @ 240V
- Incoming Feed: Bottom Only
- Enclosure: N3R Outdoor
- Estimated Weight: 260 lbs
- Meets EUSERC Requirements, EUSERC Drawing Reference 315, 343, 347

**Conductor Range:**

- Phase lugs and neutral lugs not included, Landing Pad only.
- Landing Pad has provision for double hole lugs up to (2) 750kcmil Cu/Al.
- Ground Lugs: (2) #6-350 kcmil Cu/Al.

DIMENSIONS: INCH

THIRD ANGLE	SHEET#
	1 of 1

CATALOG NO.	DATE	REV
RMM3BEH8R	25-Jul-23	A

**ABB** | **ReliaMod™**

**800A MAIN BREAKER MODULE**  
**100kA 3PH 4W 208Y/120V N3R EUSERC**