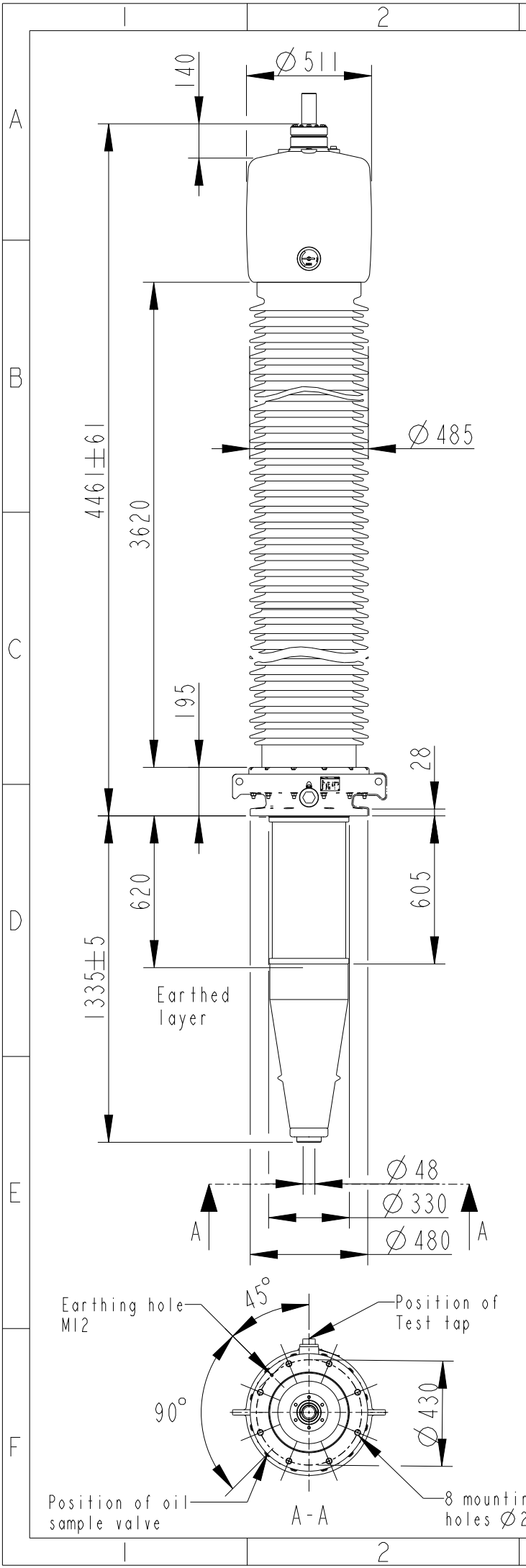


This document is issued by means of a computerized system. The digitally stored original is electronically approved. The approved document has a date entered in the "Approved"-field. A manual signature is not required.

We reserve all rights in this document and in the information contained therein. Reproduction, use or disclosure to third parties without express authority is strictly forbidden. © 2022 Hitachi Energy.



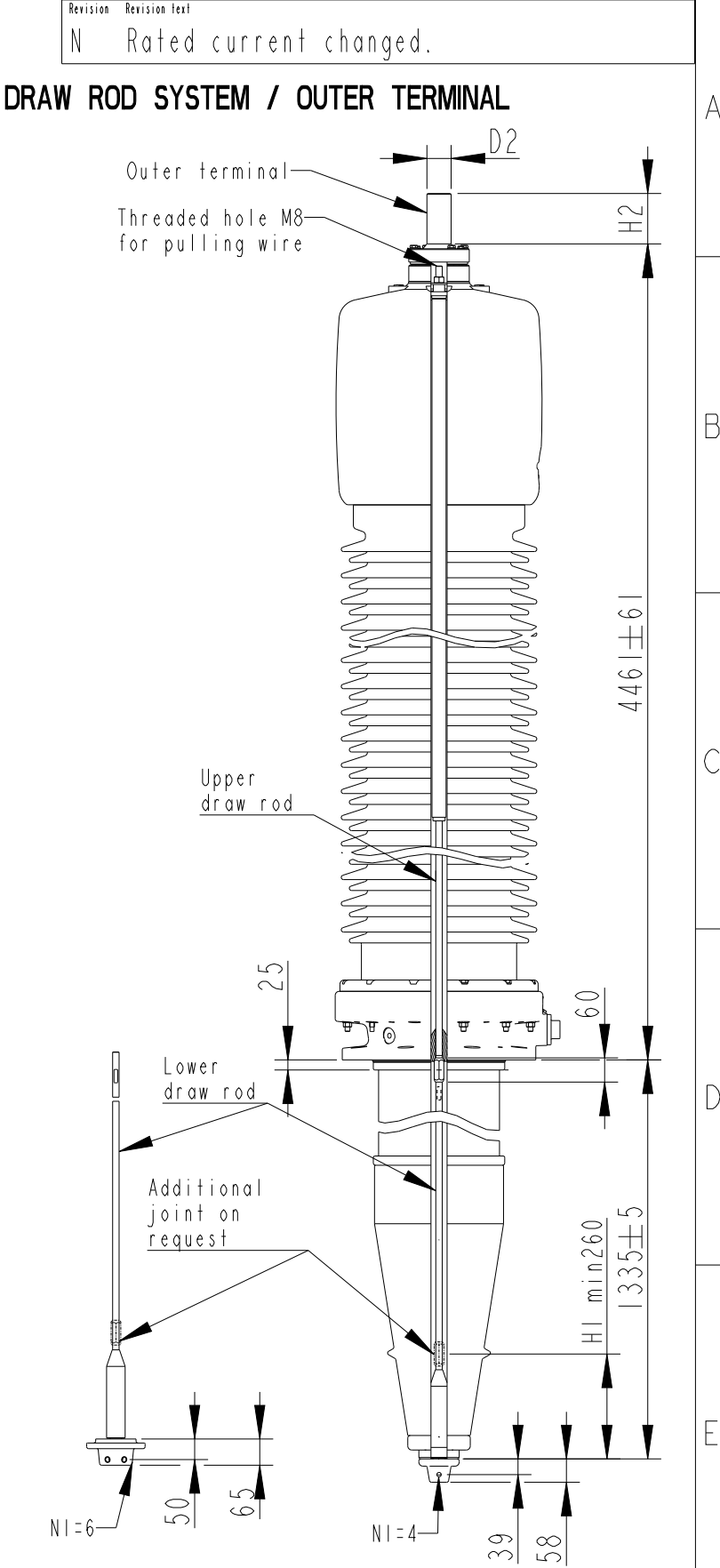
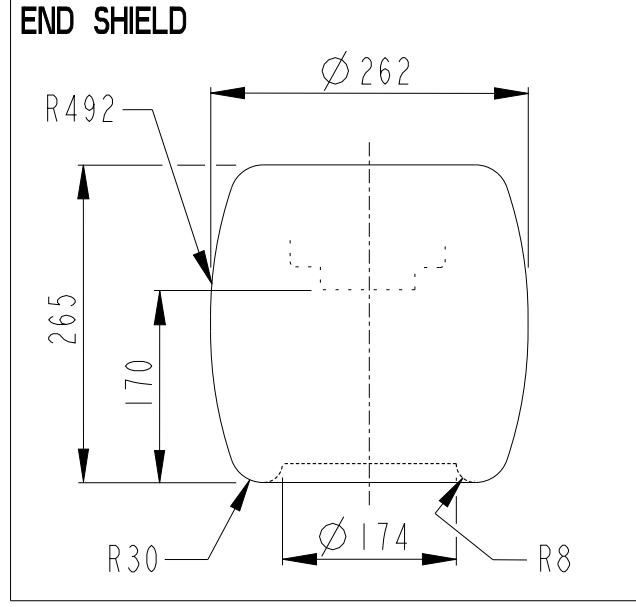
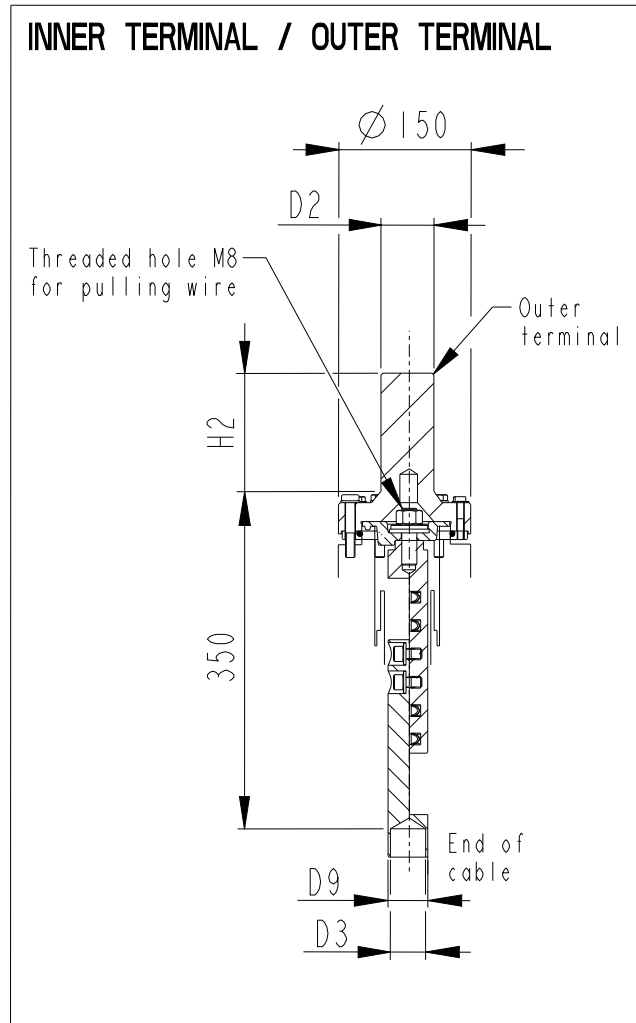
Bushing Data:

Rated Voltage	420 kV
Phase to-earth Voltage	242 kV
Dry Lightning Impulse 1,2/50µs	1425 kV
Wet Switching Impulse	1175 kV
Wet Power frequency AC	N/A
Routine test Imin dry 50Hz	695 kV
Rated Current	3150 A
Creepage Distance	13745 mm
Mass	1095 kg

Ordering Data:

BUSHING	COLOUR AIR INSULATOR				
IZSC902420-BAB	BROWN				
OUTER TERMINAL	Max. Rated Current (A)	H2 (mm)	D2 (mm)		
LF170 073-A	Al	2500	125	60	
LF170 073-B	Cu	4000	125	60	
LF170 073-G	Cu/Ag	4000	125	60	
LF170 073-L	Cu/Sn	4000	125	60	
LF170 073-BA	Cu/Ag	3000	125	2"-12UN	
LF170 073-AA	Cu	5000	115	96	
END-SHIELD	EPOXY INSULATED				
LF170 046-U	INSULATED WITH 3 mm PRESSBOARD				
DRAW ROD SYSTEM	LOWER DRAW ROD WITH NI=4 OR NI=6				
LF170 059	UPPER DRAW ROD				
INNER TERMINAL	D3 (mm)	D9 (mm)	Cond.area (mm ²)	Current (A) IEC	Current (A) IEEE
LF170 056-E	0 *	45	-	-	-
LF170 056-D	40	45	600	1600	1360

*) WITH PILOT HOLE D=5



NI=Number of holes M12, equipped with thread insert with screw lock, depth 20, for cable lugs.

ABB Ludvika, Sweden

No.	Um/Uy	kV Ir	A 50/60 Hz
BIL	kV SIL	kV AC	kV
M	kg L	mm	°
C1	pF	Tan δ	x
C2	pF	Tan δ	x

DOCUMENT KIND	APPROVED	TITLE / SUPPLEMENTARY TITLE	STATUS	REVISION	SHEET
Dimension Drawing	2022-12-22	GOE 1425-1150-3150-0.6	Released	N	1/1
RESPONSIBLE DEPARTMENT		GOE 1425-1150-3150-0.6			
SEABB-9AAE300824					
RESPONSIBLE COMPANY		DOCUMENT ID			
Hitachi Energy Sweden AB		2751369-320			