
 TECHNICAL DATA SHEET

ABB cable glands – NCG-M series

Nylon, multi-hole cable glands



Multi-hole nylon cable glands for general purpose use, OEM and industrial/commercial applications.

Certifications / Standards:


Features & Benefits:

- Low profile cable glands
- Allows multiconductor installations
- Corrosion resistant

Applications:

- General purpose
- Panel building
- Light fixture and housings
- Machine building
- Suitable for cable types:
 - Non-armoured
 - Portable
 - Tray

Material:

- Halogen free nylon (PA6) construction
- Available in Black, Grey and Light Grey
- Chloroprene seals

Environmental ratings:
Working Temperature:

- Normal use: -20 to +100°C (-4 to +212°F)
- Short term: -30 to +150°C (-22 to +302°F)

Ingress protection:

To ensure ingress protection, use suitable gasket and lock nut when required.

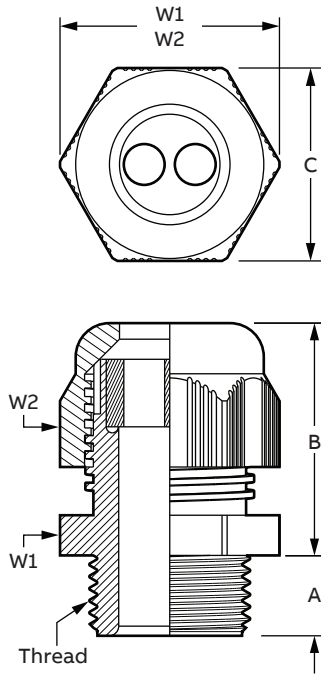
- IP66
- IP68 (5 bar 30 mins)
- NEMA 4

Chemical resistance guide:

- See publication TDS000081

Conforms to:

- UL514B
 - UL file: E493663
- CSA C22.2 No 18.3: Certified as a component.
 - CSA file: 703304
- EN 62444
- RoHS (Restriction of Hazardous Substances Directive) 2011/65/EU Incorporating 2015/863 amendment to Annex II
- WEEE (Waste Electrical & Electronic Equipment Directive) 2002/96/EC
- LVD (Low Voltage Directive) 2014/35/EU



Product selection

Part no:	Thread (NPT)	No. of Dia	Cable range		Nominal dimensions					
			Min	Max	A	B	C	W1	W2	
NCG-050x-2x6	1/2	2	4.00	6.00	15.00	33.50	30.90	27.00	27.00	
			(0.157)	(0.236)	(0.591)	(1.319)	(1.217)	(1.063)	(1.063)	
NCG-050x-3x6	1/2	3	4.00	6.00	15.00	33.50	30.90	27.00	27.00	
			(0.157)	(0.236)	(0.591)	(1.319)	(1.217)	(1.063)	(1.063)	
NCG-075x-2x6.6	3/4	2	4.60	6.60	15.00	38.00	38.00	33.00	33.00	
			(0.181)	(0.260)	(0.591)	(1.496)	(1.496)	(1.299)	(1.299)	
NCG-075x-3x6.6	3/4	3	4.60	6.60	15.00	38.00	38.00	33.00	33.00	
			(0.181)	(0.260)	(0.591)	(1.496)	(1.496)	(1.299)	(1.299)	
NCG-075x-4x6.6	3/4	4	4.60	6.60	15.00	38.00	38.00	33.00	33.00	
			(0.181)	(0.260)	(0.591)	(1.496)	(1.496)	(1.299)	(1.299)	

Replace the "x" of the catalog number by one of the following (Example: NCG-050B-2x6):

B = black (RAL 9005), G = grey (RAL 7001), LG = light grey (RAL 7035)

Other colors available on request.

Bold numbers are metric, parenthesis numbers are inches.

Note: Product must be installed in accordance with applicable national and local electrical codes.

Part number information:

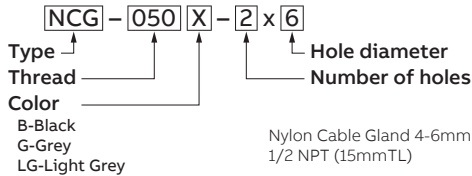


ABB Inc.
 Electrification products
 Memphis, Tennessee
 USA

We reserve the right to make technical changes or modify the contents of this document without prior notice. With regard to purchase orders, the agreed particulars shall prevail. ABB Inc. does not accept any responsibility whatsoever for potential errors or possible lack of information in this document.

We reserve all rights in this document and in the subject matter and illustrations contained therein. Any reproduction – in whole or in parts – is forbidden without prior written consent of ABB Inc. Copyright © 2018 ABB Inc.
 All rights reserved.

