

14

13

12

11

D

D

C

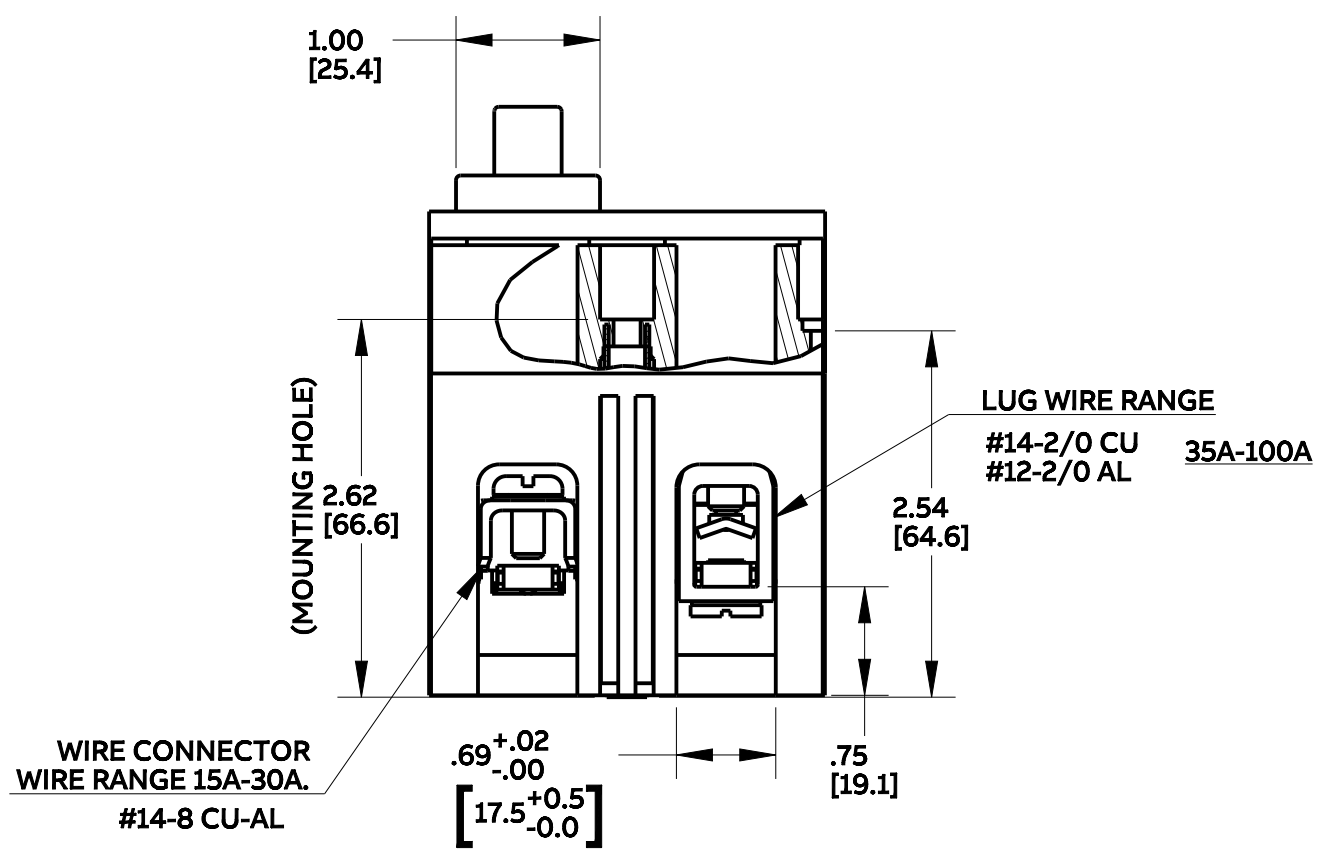
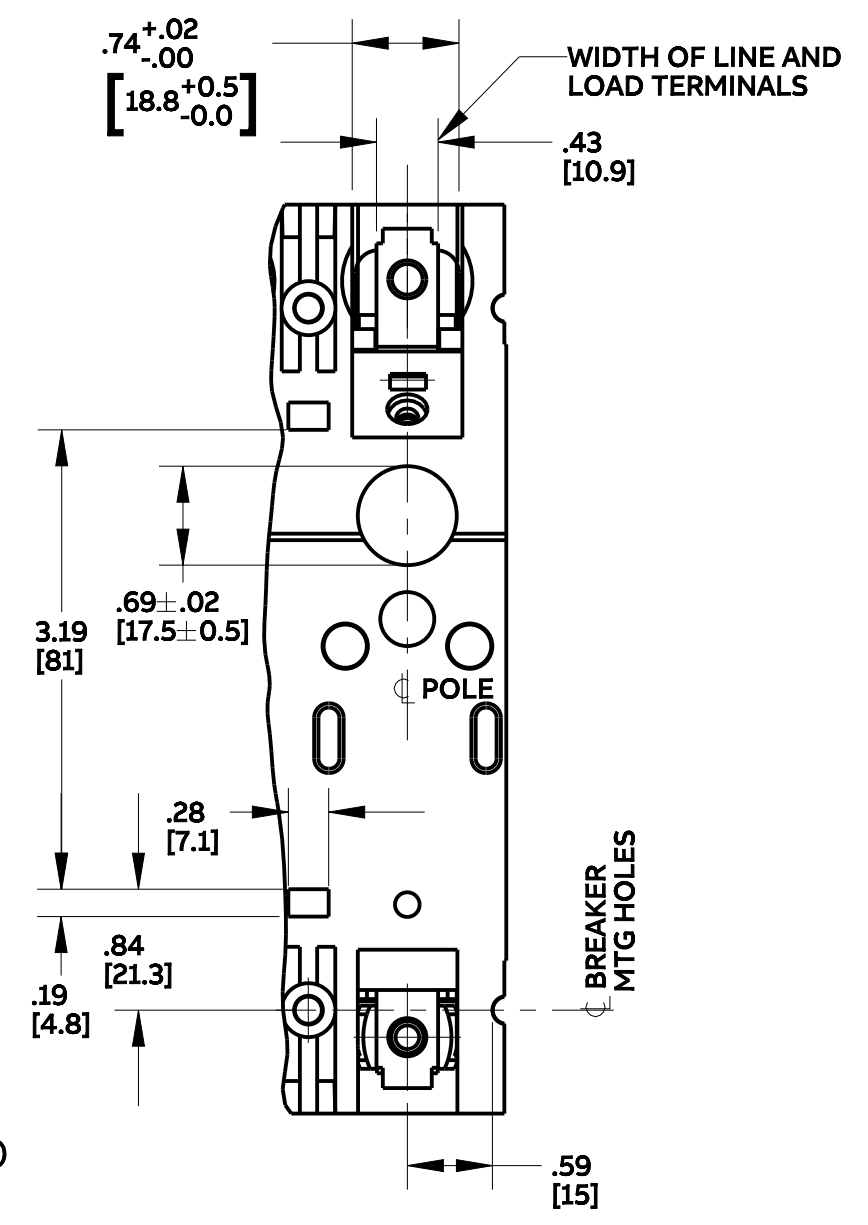
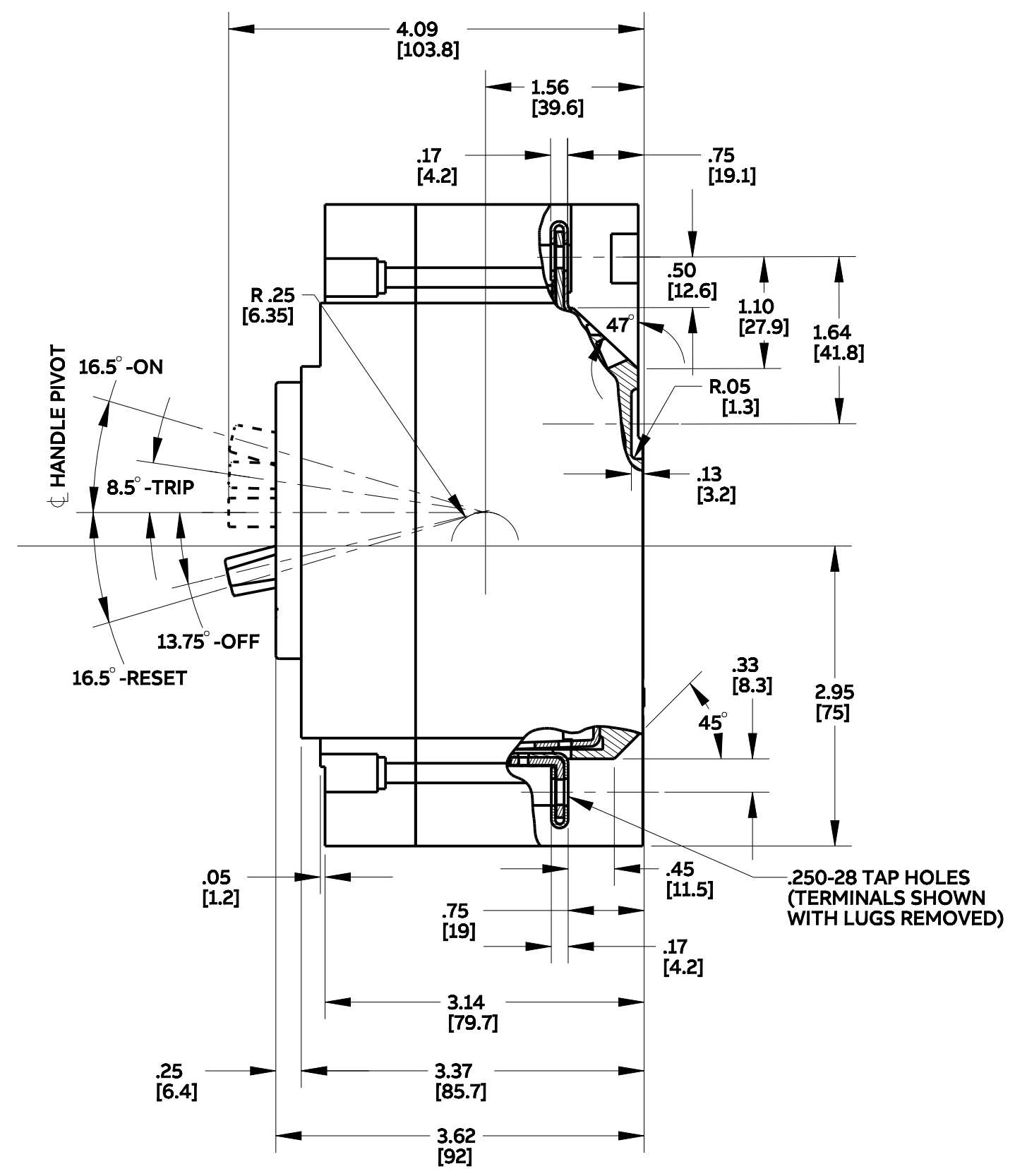
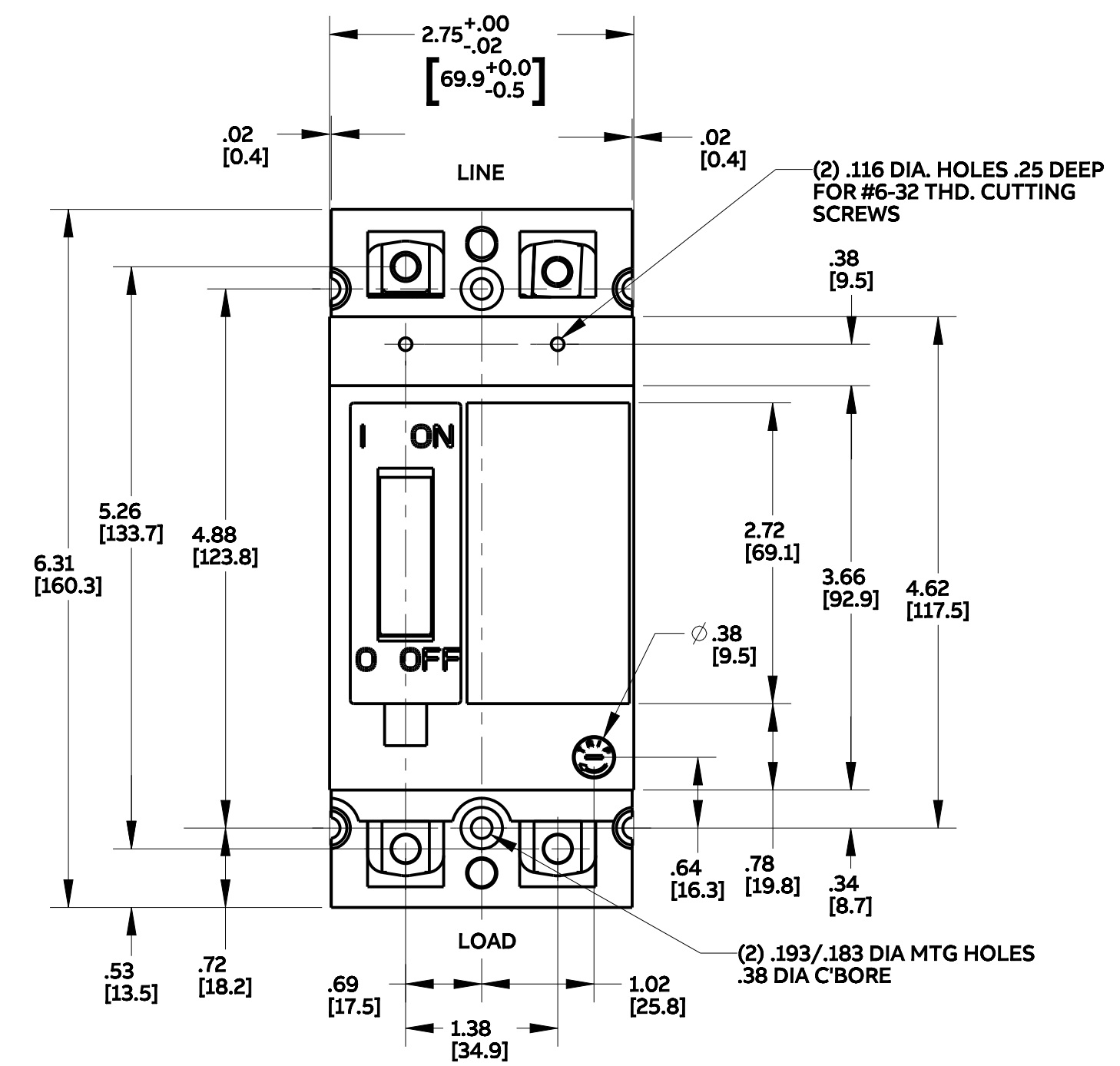
C

B

B

A

A



DUAL DIMENSIONS - INCHES [MILLIMETERS]

THIRD ANGLE	SHEET#	DWG NO.	DATE	REV
	1 of 1	139C3643SH2	11/20	15

15QC930084D0201

Industrial Solutions **by ABB**

**OUTLINE DRAWING - CIRCUIT BREAKER**  
**TEB, TED & THED 2 POLE**