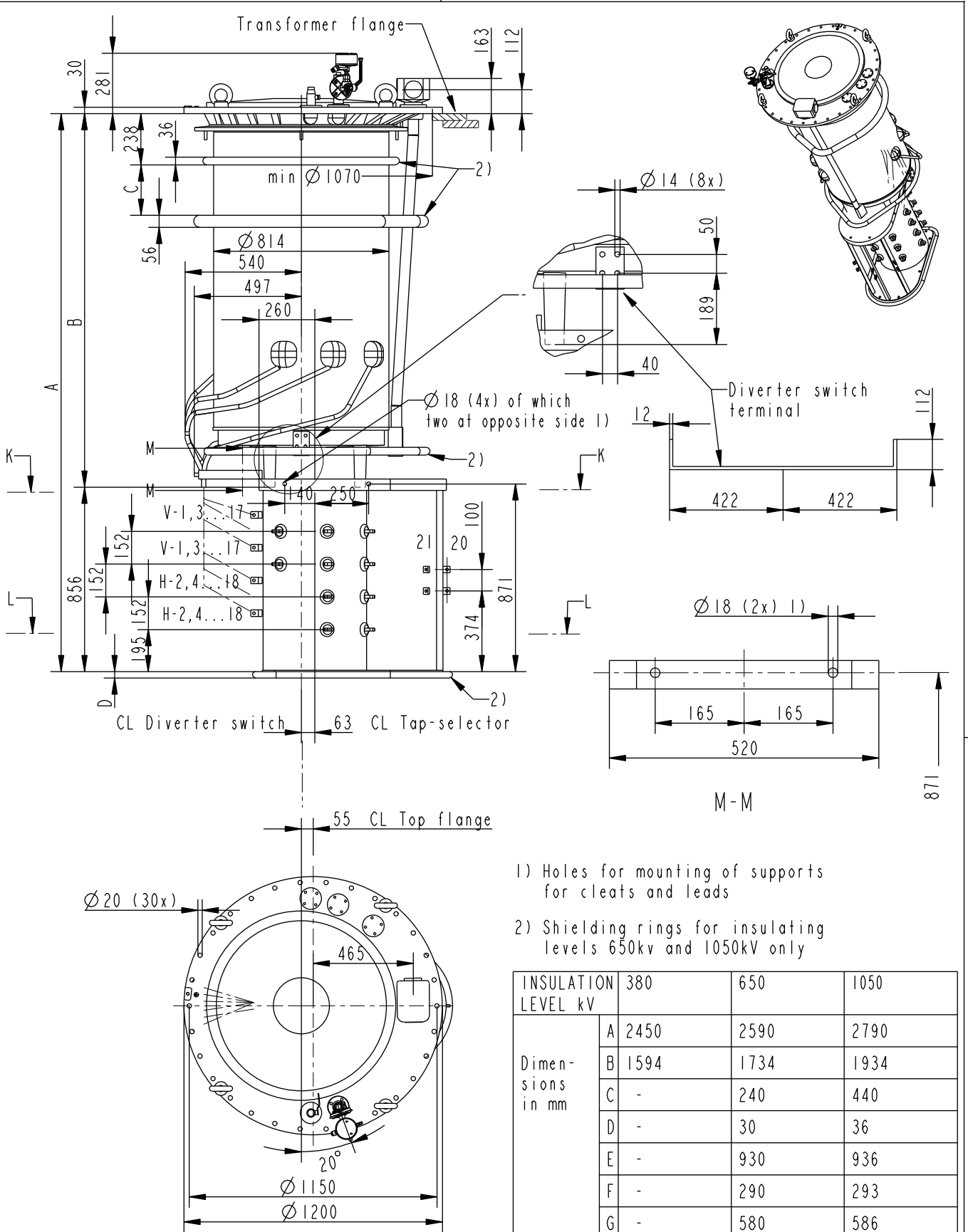
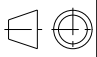
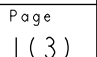



We reserve all rights in this document and in the information contained therein. Reproduction, use or disclosure to third parties without express authority is strictly forbidden. ©ABB



INSULATION LEVEL kV	380	650	1050
A	2450	2590	2790
B	1594	1734	1934
C	-	240	440
D	-	30	36
E	-	930	936
F	-	290	293
G	-	580	586

Based on	Reg. No.	Title TAP-CHANGER UCDR AND UCDD UCD.E XXXX/1800/III	 Language en	
Prepared T Sapila 96-08-28	Responsible department COM/TK			 Page 1 (3)
Approved M Eriksson	Take over department			
Revision Rev 4 06-10-02	Database DIMENSION_DWGS			
 ABB Components		Document No. 54920091-10		

Inspection engineering review

Production engineering review

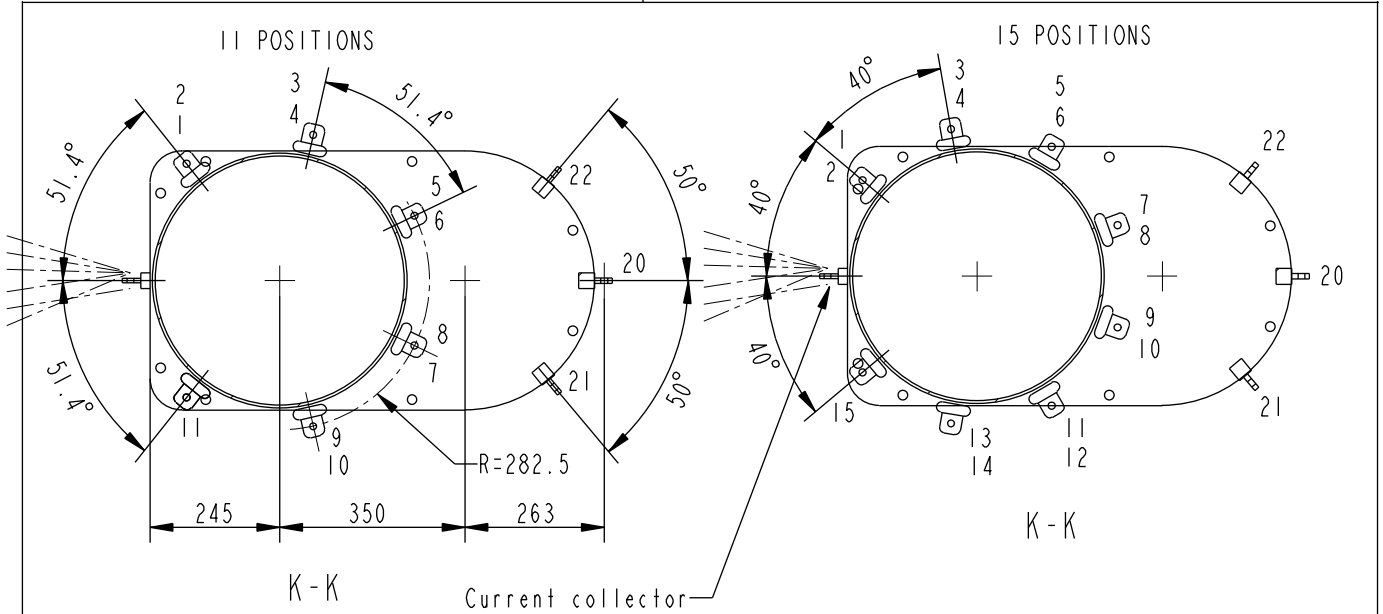
Design engineering review

We reserve all rights in this document and in the information contained therein. Reproduction, use or disclosure to third parties without express authority is strictly forbidden. ©ABB

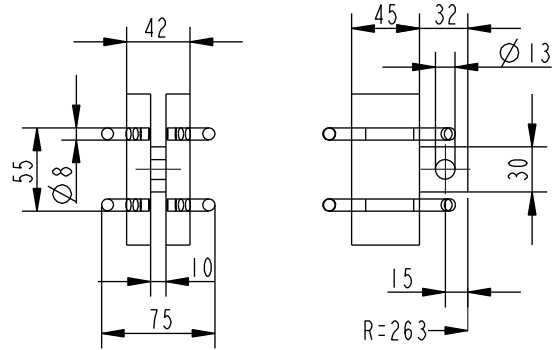
Production engineering review

Design engineering review

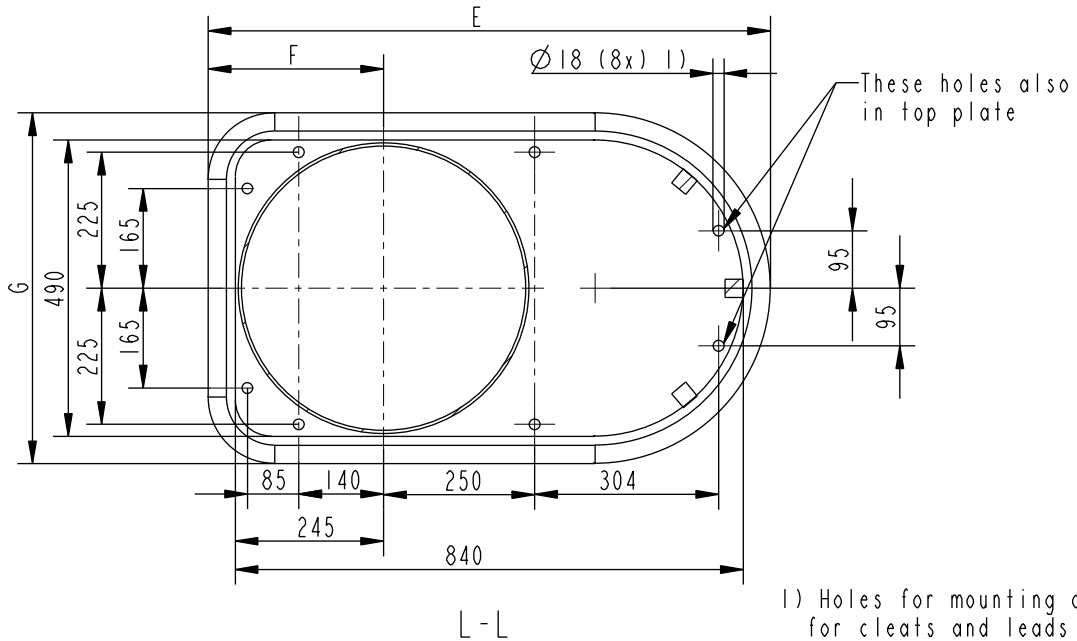
Inspection engineering review



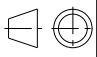

Tap selector contact 20,21,22 with shields



Values for dim. E, F and G in table on page 1

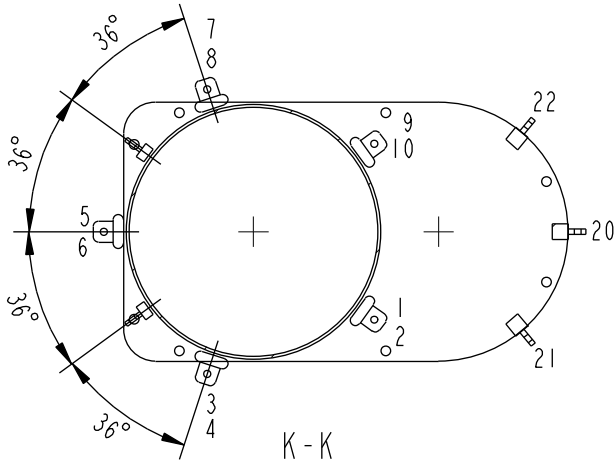


1) Holes for mounting of supports for cleats and leads

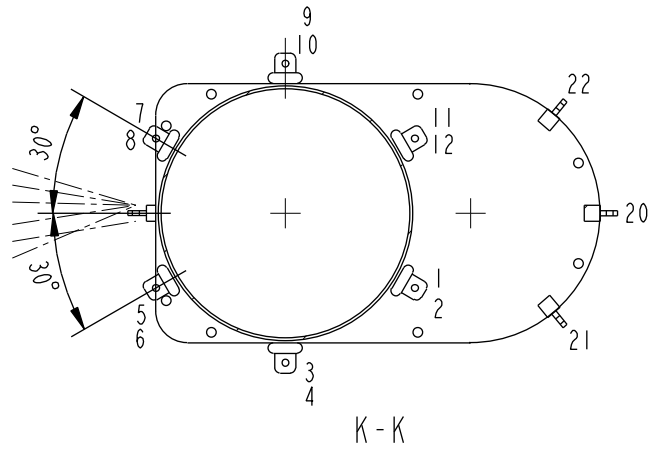
Based on	Reg. No.	Title TAP-CHANGER UCDR AND UCDD UCD.E XXXX/1800/III	 Language en Page 2(3)
Prepared T Sapila 96-08-28	Responsible department COM/TK		
Approved M Eriksson	Take over department		
Revision Rev.4 06-10-02	Database DIMENSION_DWGS		
 ABB Components		Document No.	54920091-10

We reserve all rights in this document and in the information contained therein. Reproduction, use or disclosure to third parties without express authority is strictly forbidden. ©ABB

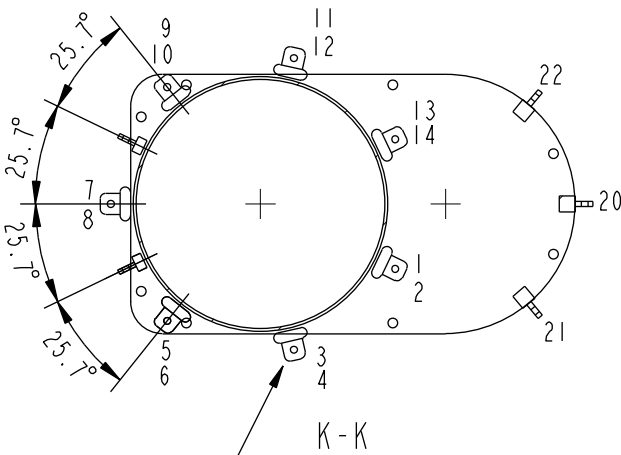
16,17,18 AND 19 POSITIONS



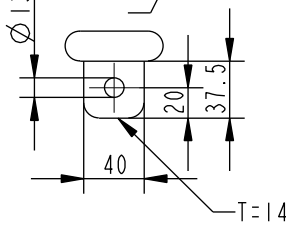
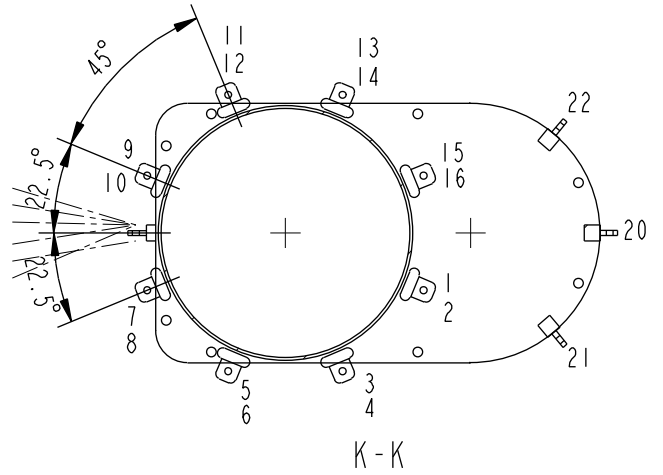
21,22 AND 23 POSITIONS



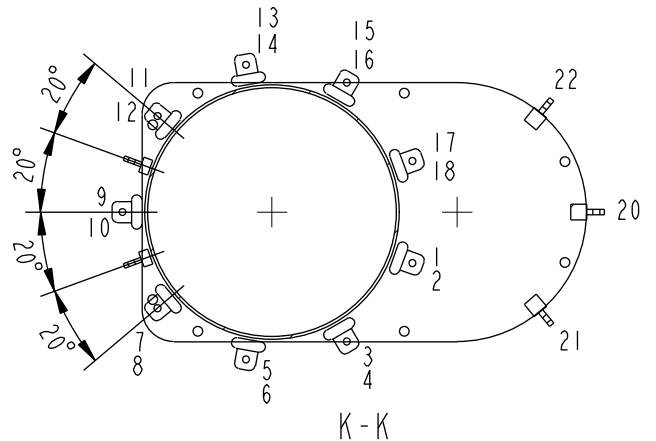
25,26 AND 27 POSITIONS



29,30 AND 31 POSITIONS

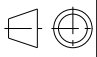



33,34 AND 35 POSITIONS



ADDITIONAL DRAWINGS:

Connection Diagrams: See Technical Guide UC
 Mounting on active part: 54920087-1
 Top Section, Accessories: 54920087-2
 Motor Drive BUE: 54830001-2 or -3
 External Drive Shaft: 54920083-4
 Pressure Relay: 54920083-2
 Bevel Gear: 54920083-1

Inspection engineering review	Production engineering review	Based on	Reg. No.	Title TAP-CHANGER UCDR AND UCDD UCD.E XXXX/1800/III	 Language en	
Design engineering review	Prepared T Sapila 96-08-28	Responsible department COM/TK				Page 3(3)
	Approved M Eriksson	Take over department				
	Revision Rev.4 06-10-02	Database DIMENSION_DWGS				
 ABB Components		Document No.	54920091-10			