

14

13

12

11

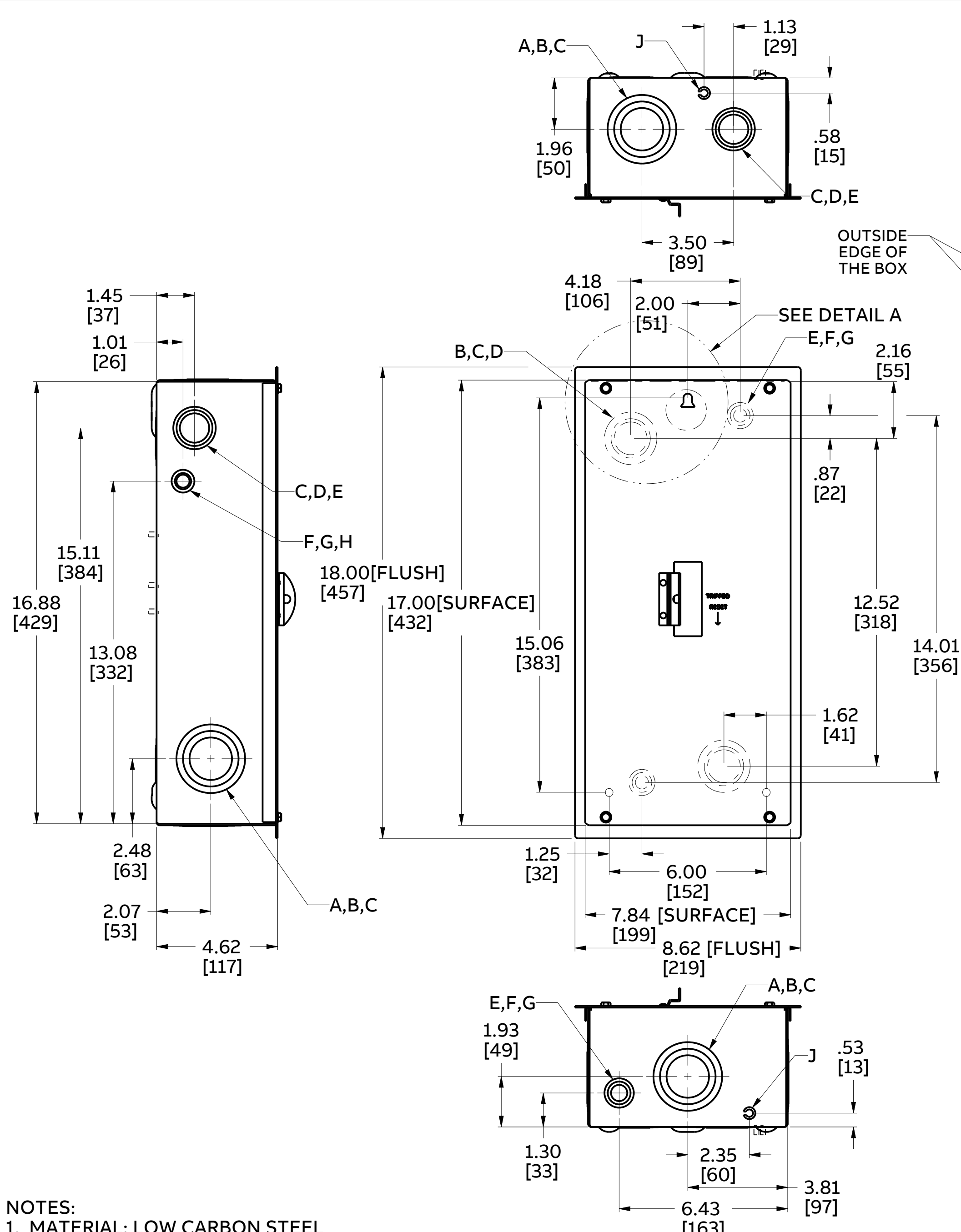
CIRCUIT BREAKER TERMINAL LUG DATA			
CIRCUIT BREAKER CAT NO. PREFIX	AMPERE RATING	LUG TYPE	WIRE SIZE (AWG\KCMIL)
TEB, TED, THED, TEC	15-100	TCAL14	(1) #14-8 CU-AL
		TCAL12	(1) #14-3 CU (1) #12-1 AL
		TCAL12A	(1) #6-2/0 CU (1) #4-2/0 AL
		TCAL15	(1) #3-3/0 CU (1) #1-3/0 AL
SEDA, SEHA, SELA, SEPA	15-100	TCAL18	(1) #12-3/0 CU-AL

FIELD INSTALLABLE NEUTRAL ASSEMBLY AND GROUND KIT			
CAT NO. PREFIX	TYPE	AMPERE RATING	WIRE SIZE (AWG\KCMIL)
TGL1	GND KIT	70-125	(4) #14-8 CU (4) #12-8 AL (3) #14-4 CU (3) #6-4 AL
INCLUDED	NEUTRAL ASM	100	(1) #14-1/0 CU (1) #12-1/0 AL

SYMBOLS	KNOCKOUTS			
	CONDUIT SIZE		DIAMETER	
	IN	MM	IN	MM
A	2 1/2	64	3	76
B	2	51	2 1/2	64
C	1 1/2	38	2	51
D	1 1/4	32	1 3/4	45
E	1	25.4	1 3/8	35
F	3/4	20	1 1/8	29
G	1/2	13	7/8	22
H	3/8	10	3/8	10
J	9/32	7	9/32	7

**FOR USE WITH ABB  
TYPE BREAKER  
TEB, TED, THED & TEC  
SEDA, SEHA, SELA &  
SEPA**

DUAL DIMENSIONS INCHES  
[MILLIMETERS]



- NOTES:**
1. MATERIAL: LOW CARBON STEEL
  2. FINISH: ELECTROCOAT ENAMEL, GRAY
  3. AGENCY APPROVAL: cULus LISTED -FILE E11592
  4. SUITABLE FOR USE AS SERVICE EQUIPMENT WHEN NEUTRAL ASSEMBLY IS INSTALLED
  5. THE SHORT CIRCUIT RATING OF THIS ENCLOSED CIRCUIT BREAKER IS EQUAL TO THE INTERRUPTING RATING, AT THE SUPPLY VOLTAGE MARKED ON THE CIRCUIT BREAKER INSTALLED
  6. CONSULT BUYLOG FOR ALTERNATIVE LUGS

**ABB**

OUTLINE DRAWING - NEMA TYPE 1 ENCLOSURE  
TE100F, TE100S

THIRD ANGLE	SHEET#	DWG NO.	DATE	REV
	1 of 2	208C2891SH3	20-Apr-23	E

14

13

12

11

14

13

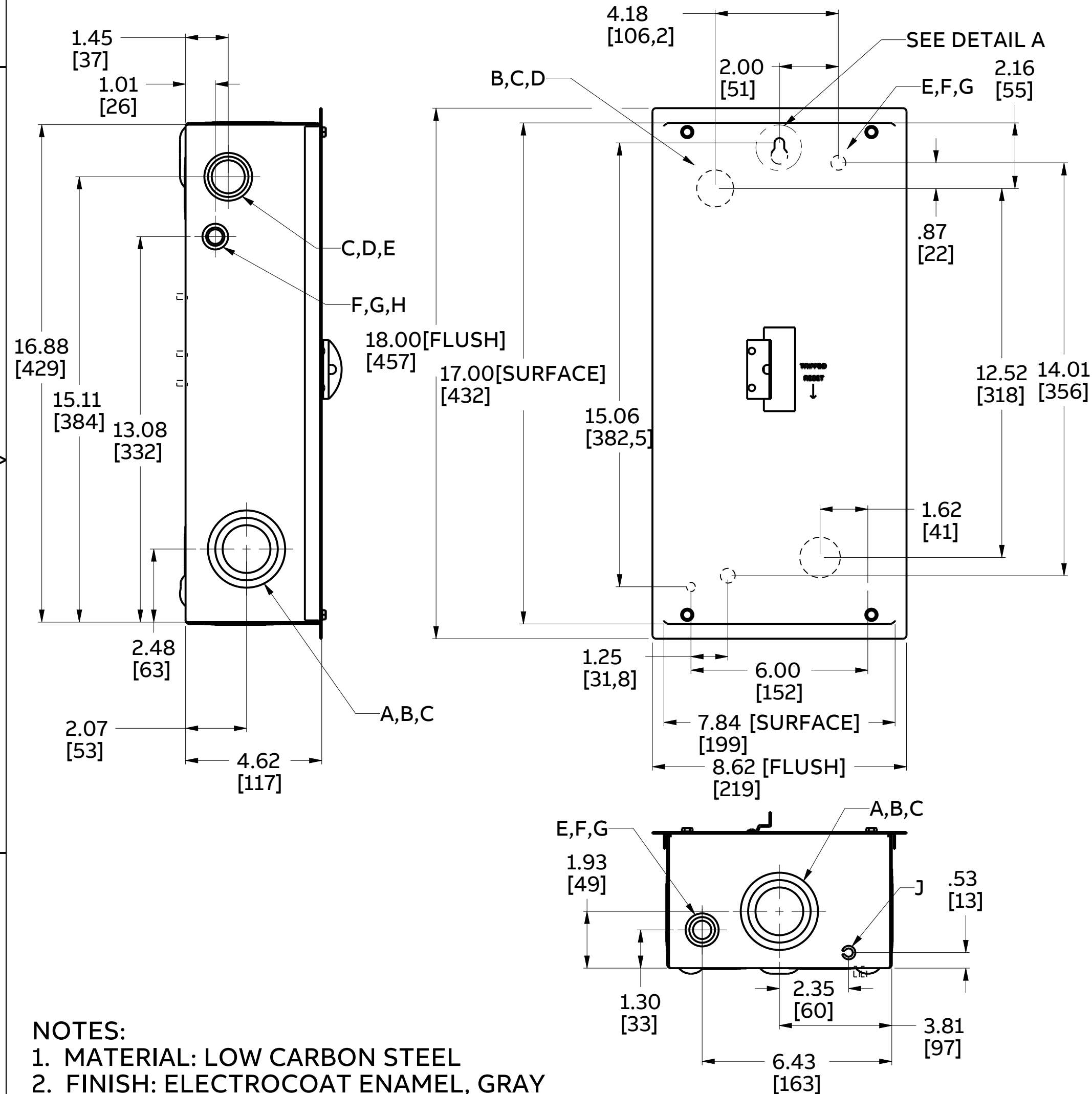
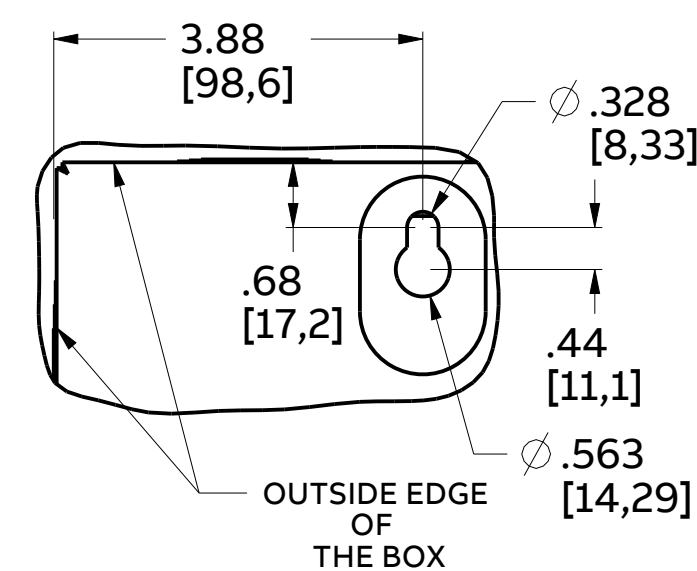
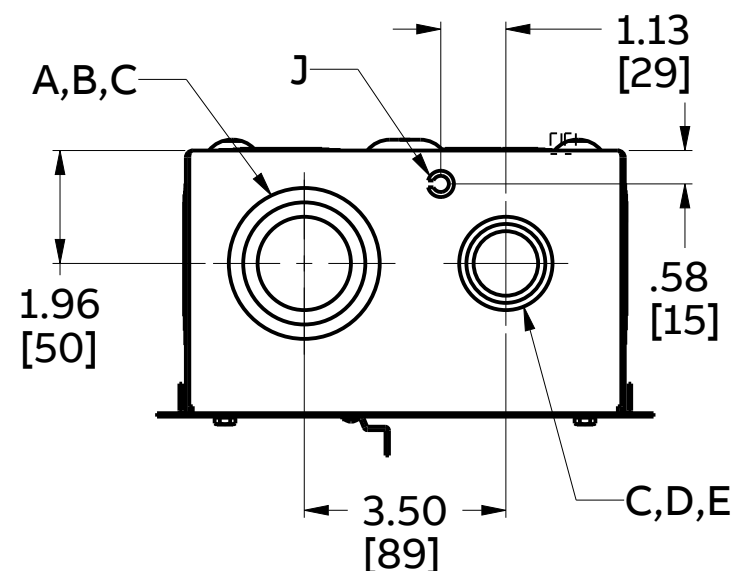
12

11

CIRCUIT BREAKER TERMINAL LUG DATA			
CIRCUIT BREAKER CAT NO. PREFIX	AMPERE RATING	LUG TYPE	WIRE SIZE (AWG\KCMIL)
TEB, TED, THED, TEC	15-100	TCAL14	(1) #14-8 CU-AL
		TCAL12	(1) #14-3 CU (1) #12-1 AL
		TCAL12A	(1) #6-2/0 CU (1) #4-2/0 AL
		TCAL15	(1) #3-3/0 CU (1) #1-3/0 AL
SEDA, SEHA, SELA, SEPA	15-100	TCAL18	(1) #12-3/0 CU-AL

FIELD INSTALLABLE NEUTRAL ASSEMBLY AND GROUND KIT			
CAT NO. PREFIX	TYPE	AMPERE RATING	WIRE SIZE (AWG\KCMIL)
TGL1	GND KIT	70-125	(4) #14-8 CU (4) #12-8 AL (3) #14-4 CU (3) #6-4 AL
INCLUDED	NEUTRAL ASM	100	(1) #14-1/0 CU (1) #12-1/0 AL

SYMBOLS	KNOCKOUTS			
	CONDUIT SIZE		DIAMETER	
	IN	MM	IN	MM
A	2 1/2	64	3	76
B	2	51	2 1/2	64
C	1 1/2	38	2	51
D	1 1/4	32	1 3/4	45
E	1	25.4	1 3/8	35
F	3/4	20	1 1/8	29
G	1/2	13	7/8	22
H	3/8	10	3/8	10
J	9/32	7	9/32	7



FOR USE WITH ABB  
TYPE BREAKER  
TEB, TED, THED & TEC  
SEDA, SEHA, SELA &  
SEPA

DUAL DIMENSIONS INCHES  
[MILLIMETERS]

- NOTES:
1. MATERIAL: LOW CARBON STEEL
  2. FINISH: ELECTROCOAT ENAMEL, GRAY
  3. AGENCY APPROVAL: cULus LISTED -FILE E11592
  4. SUITABLE FOR USE AS SERVICE EQUIPMENT WHEN NEUTRAL ASSEMBLY IS INSTALLED
  5. THE SHORT CIRCUIT RATING OF THIS ENCLOSED CIRCUIT BREAKER IS EQUAL TO THE INTERRUPTING RATING, AT THE SUPPLY VOLTAGE MARKED ON THE CIRCUIT BREAKER INSTALLED
  6. CONSULT BUYLOG FOR ALTERNATIVE LUGS

THIRD ANGLE	SHEET#	DWG NO.	DATE	REV
	2 of 2	208C2891SH3	19-May-23	E

**ABB**

OUTLINE DRAWING - NEMA TYPE 1 ENCLOSURE  
TE100F, TE100S

14

13

12

11