

# HDS264 water-cooled PM synchronous servo motor

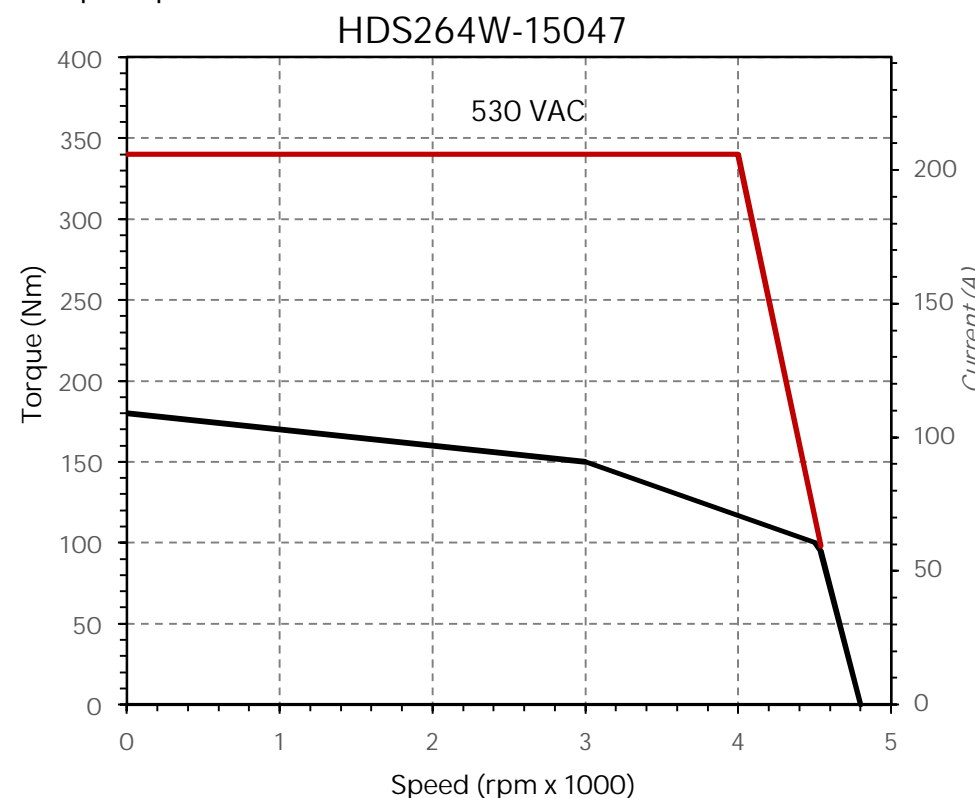
Motor type: HDS264W-15047

Spec	Value
Flange (mm)	264
Shaft height (mm)	132
Input voltage (V)	AC530/DC750
Rated power P (kw)	47.1
Rated torque $T_N$ (Nm)	150
Cont. stall torque $T_0$ (Nm)	180
Peak torque $T_p$ (Nm)	340
Rated speed $n_N$ (rpm)	3000
Max. speed $n_{MAX}$ (rpm)	4500
Rated current $I_N$ (A)	91
Cont. stall current $I_0$ (A)	109
Peak current $I_p$ (A)	215
Line resistance $R_L$ 20°C (Ohm)	0.093
Line inductance $L_L$ (mH)	1.2
Torque constant $K_t$ (Nm/A)	1.68
*Inertia (kg-cm <sup>2</sup> )	403
*Weight (kg)	82

\* Excluding brake

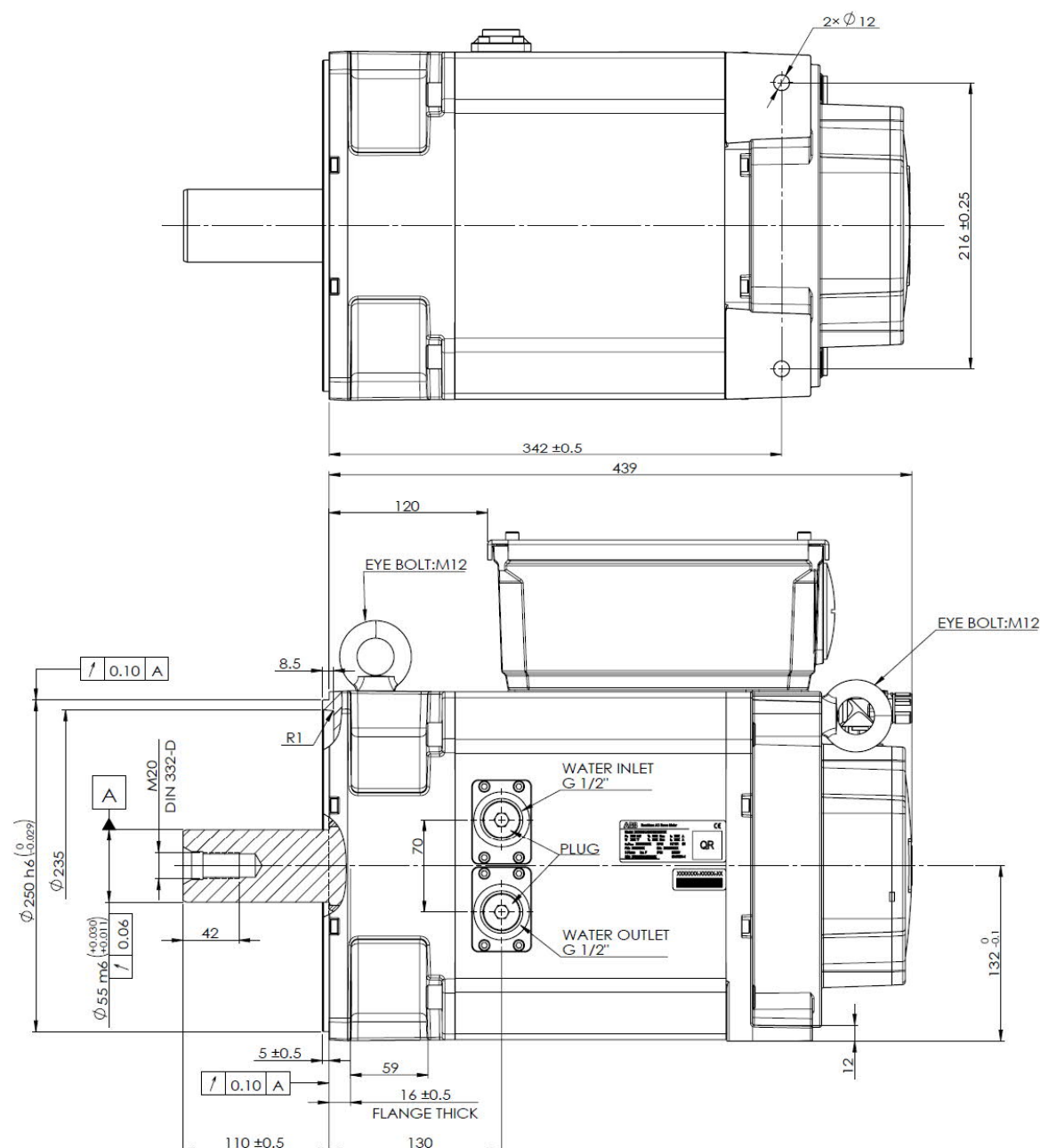
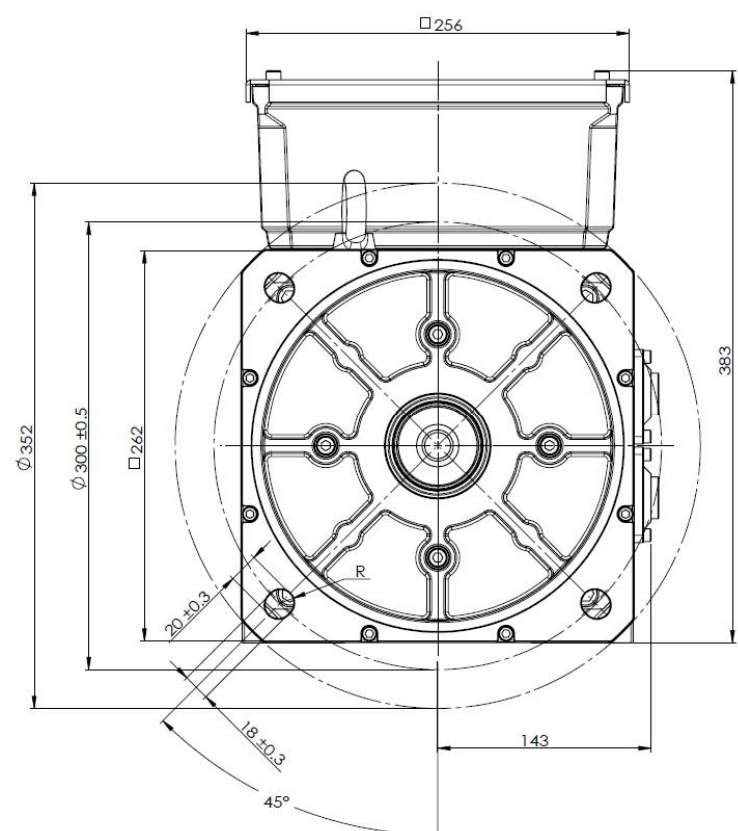
Component	Specification
Brake	Optional
Feedback	Heidenhain Endat 2.1 Single-turn Other options available
Seal	Optional

Torque-Speed curve



Configuration	Value
Enclosure	Water-cooled
Mounting	IM B35
IP Class	IP65
Winding protection	KTY-84
Ambient temp. (°C)	-15 ~ +40
Insulation class	Class F
Shaft	Round with keyway / smooth

Dimension



# HDS-264 water-cooled PM synchronous servo motor

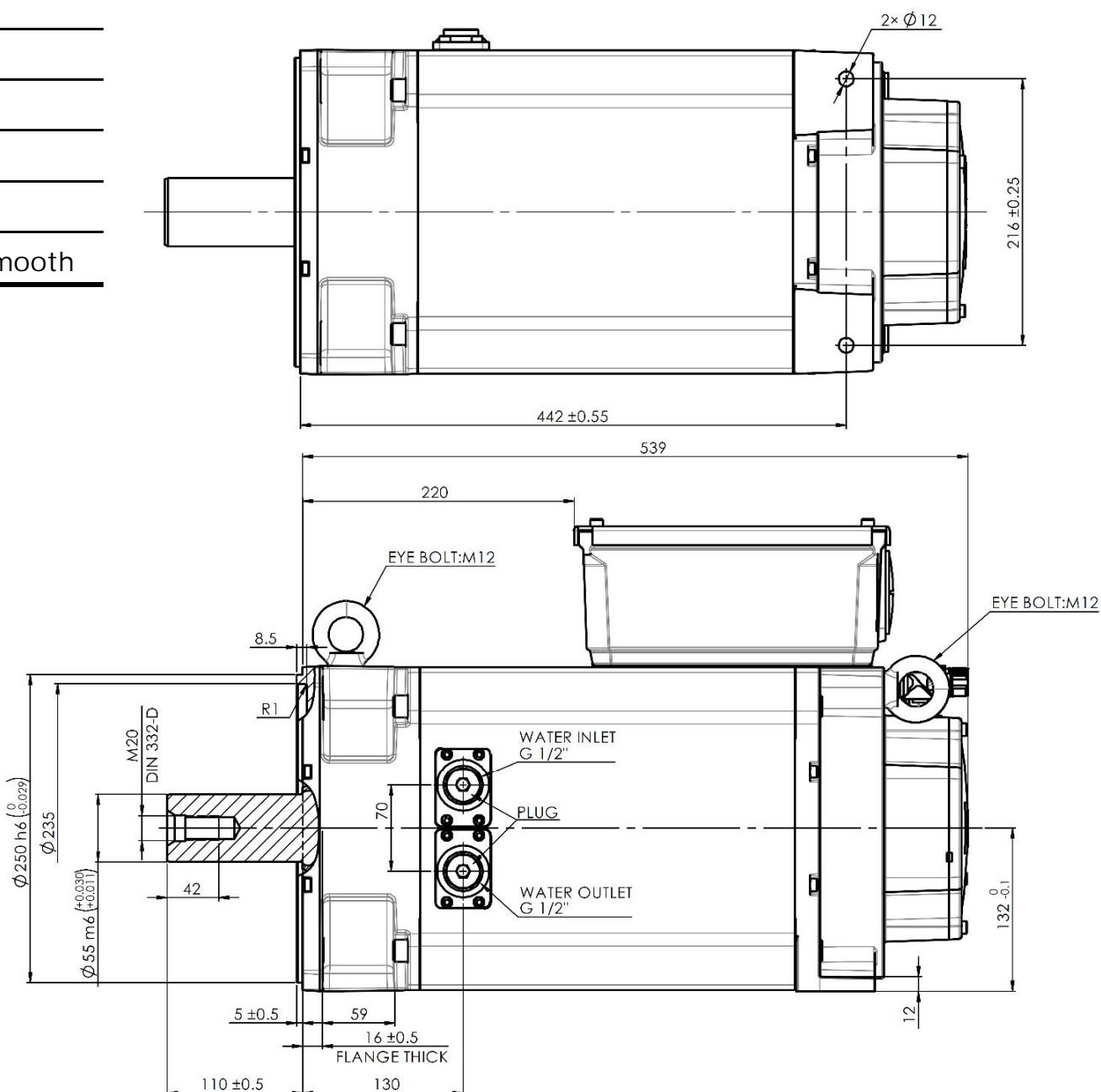
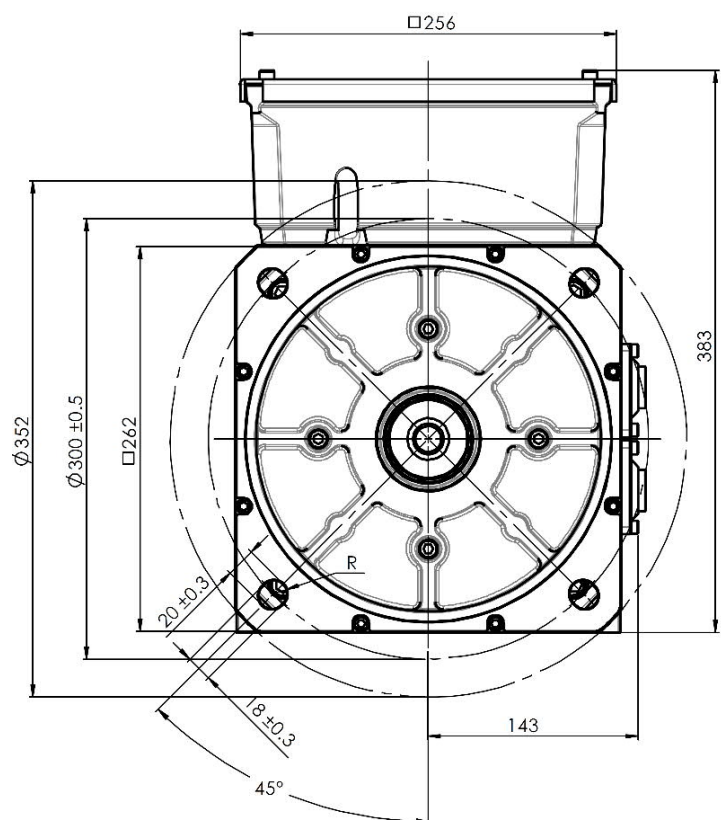
Motor type: HDS264W-25580

Spec	Value
Flange (mm)	264
Shaft height (mm)	132
Input voltage (V)	AC530/DC750
Rated power P (kw)	80.1
Rated torque $T_N$ (Nm)	255
Cont. stall torque $T_o$ (Nm)	305
Peak torque $T_p$ (Nm)	555
Rated speed $n_N$ (rpm)	3000
Max. speed $n_{MAX}$ (rpm)	4500
Cont. stall current $I_o$ (A)	170
Peak current $I_p$ (A)	365
Line resistance $R_L$ 20°C (Ohm)	0.0357
Line inductance $L_L$ (mH)	0.55
Torque constant $K_t$ (Nm/A)	1.78
*Inertia (kg-cm <sup>2</sup> )	736
*Weight (kg)	120

\* Excluding brake

Configuration	Value
Enclosure	Water-cooled
Mounting	IM B35
IP Class	IP65
Winding protection	KTY-84
Ambient temp. (°C)	-15 ~ +40
Insulation class	Class F
Shaft	Round with keyway / smooth

## Dimension



Component	Specification
Brake	Optional
Feedback	Heidenhain Endat 2.1 Single-turn Other options available
Seal	Optional

## Torque-Speed curve

