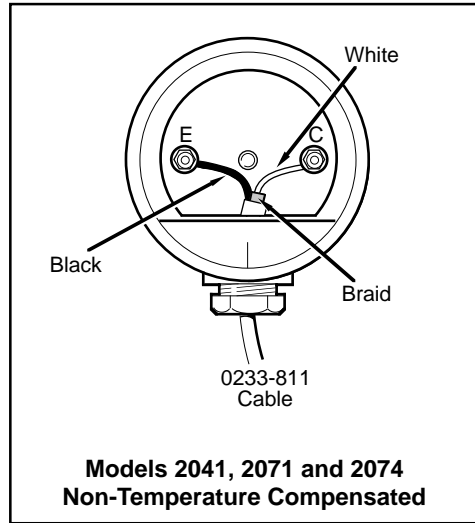
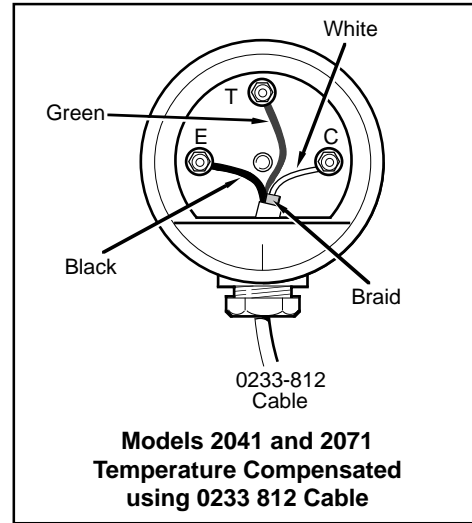


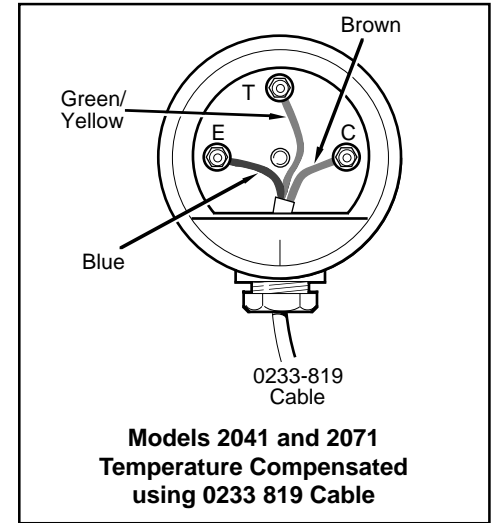
Model 2072 and 2075



**Models 2041, 2071 and 2074
Non-Temperature Compensated**

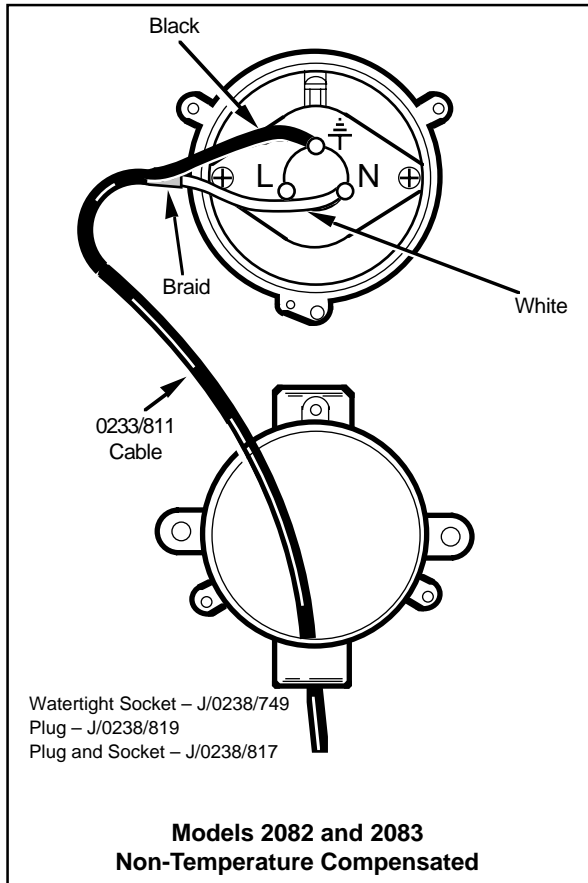


**Models 2041 and 2071
Temperature Compensated
using 0233 812 Cable**

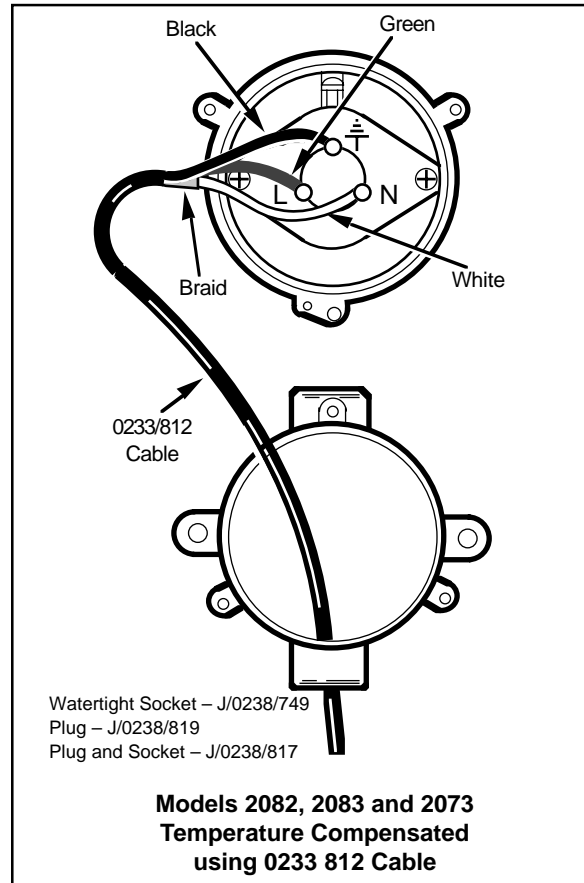


**Models 2041 and 2071
Temperature Compensated
using 0233 819 Cable**

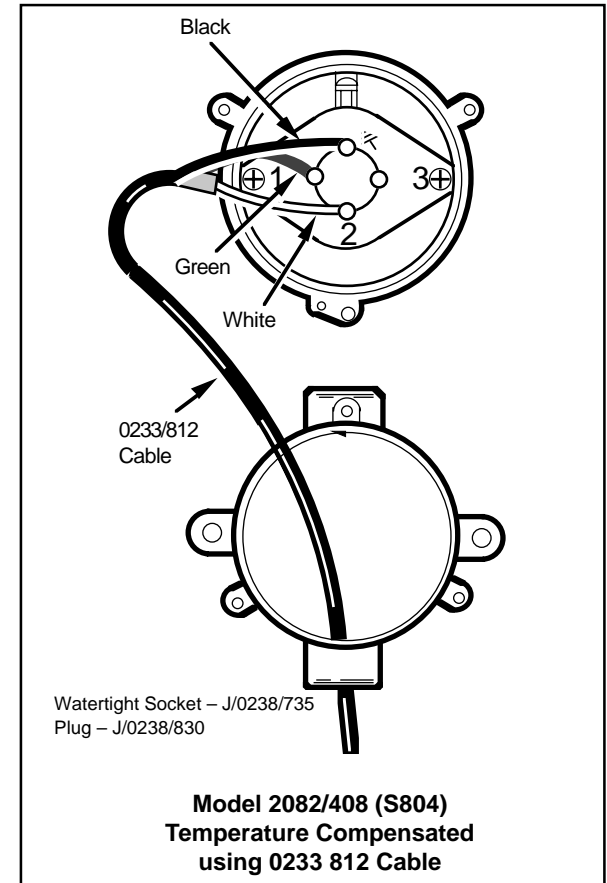
ABB Instrumentation



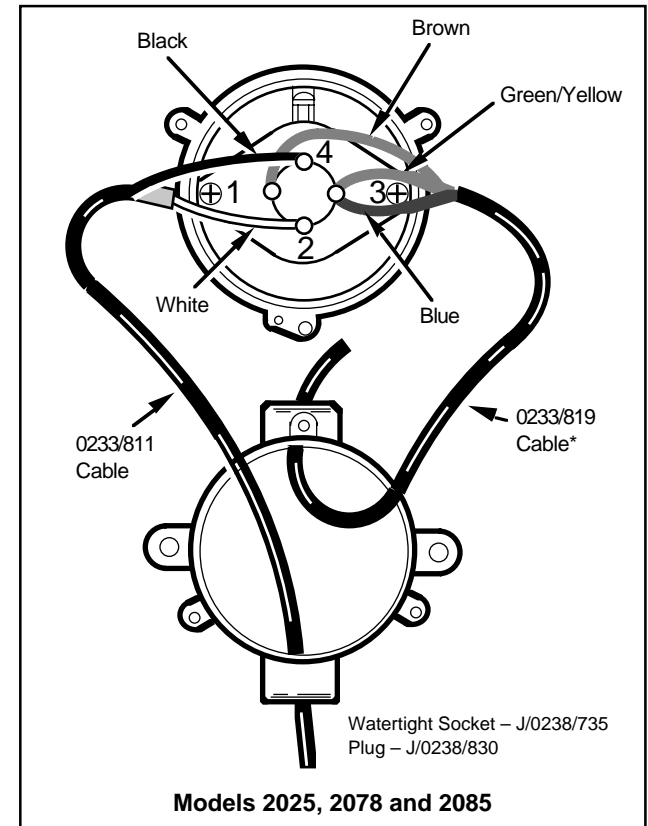
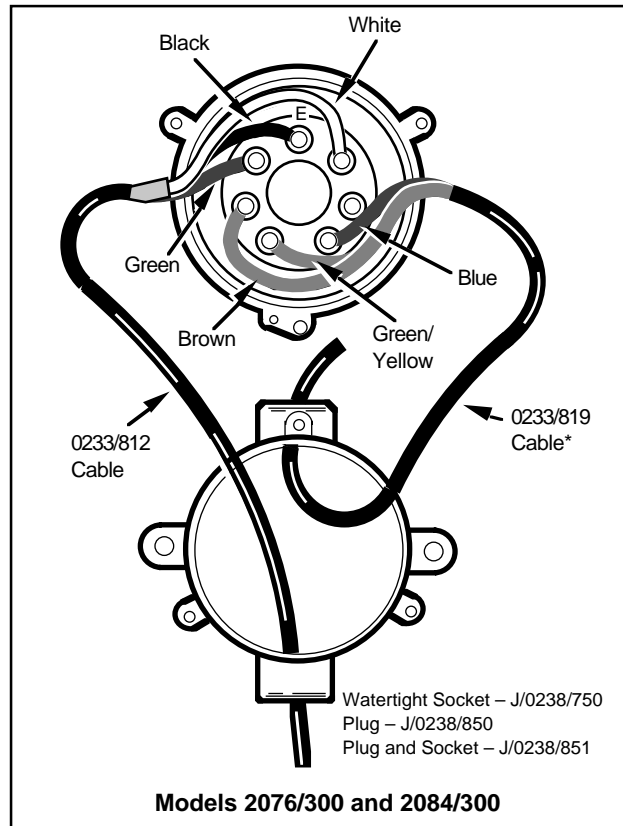
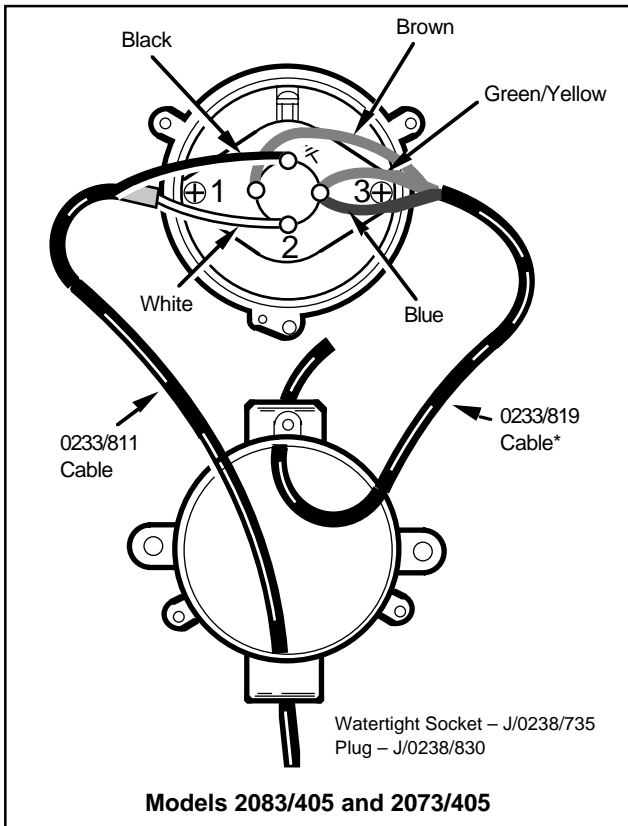
**Models 2082 and 2083
Non-Temperature Compensated**



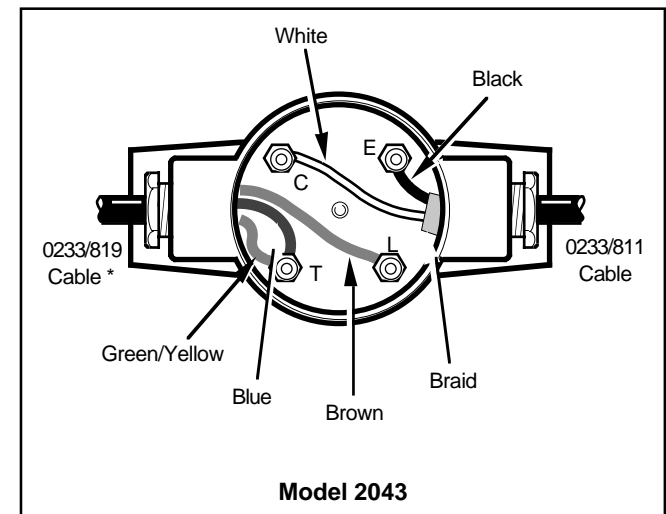
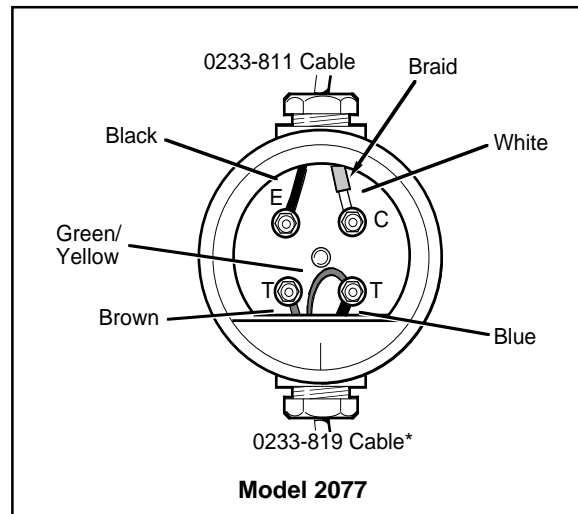
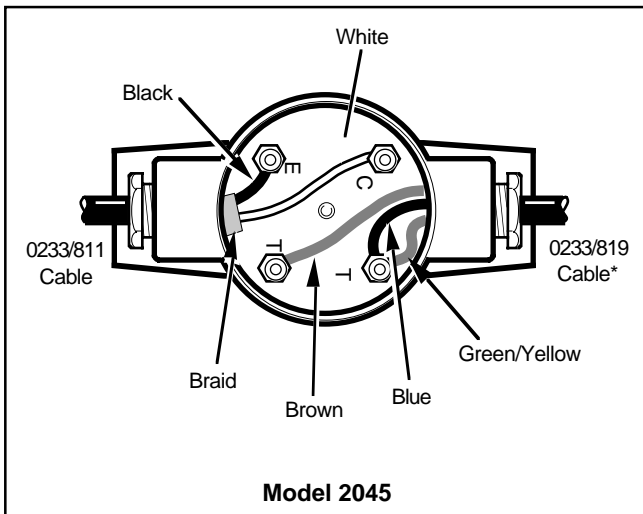
**Models 2082, 2083 and 2073
Temperature Compensated
using 0233 812 Cable**



**Model 2082/408 (S804)
Temperature Compensated
using 0233 812 Cable**



* Required only when using temperature compensator



* **Note.** If braided cable is used, cut back the braid level with the outer sheath and insulate it from earth or metal components.