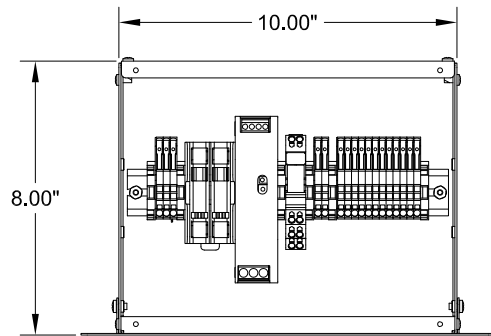
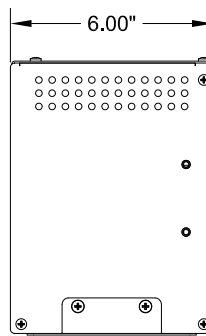


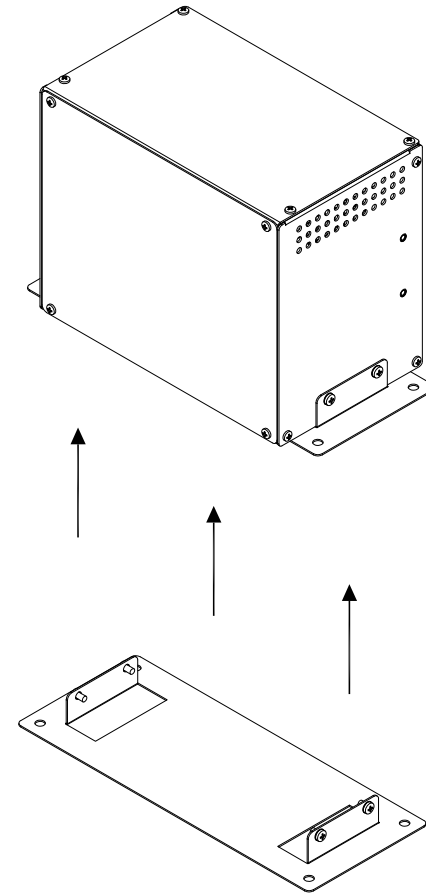
TOP VIEW



FRONT VIEW
(COVER REMOVED)




RIGHT SIDE VIEW



MOUNTING PLATE INSTALLATION
(CONFIGURED FOR MOUNTING TO TOP OF CABINET)

NOTES:

1. APPROXIMATE WEIGHT: 18 LBS.
2. ENCLOSURE IS DESIGNED TO MEET UL 50.
3. NEMA 1 TYPE ENCLOSURE.
4. THE ENCLOSURE IS CONSTRUCTED FROM GALVANIZED STEEL.
5. FINISH IS POWDER COAT ON ALL EXTERNAL AND VISIBLE SURFACES.
6. TO ALLOW FOR EASY INSTALLATION THE MOUNTING PLATE CAN BE SECURED TO THE TOP OF THE CABINET BEFORE THE UVR POWER SUPPLY ENCLOSURE IS ATTACHED TO THE MOUNTING PLATE.
7. CONDUIT KNOCKOUTS MAY BE ADDED TO THE MOUNTING PLATE AND/OR TO THE TOP, BOTTOM, OR SIDES OF THE ENCLOSURE AS NEEDED.

95317-F480BT			
DPA SERIES UPS UVR POWER SUPPLY UNIT			
--			
THE INFORMATION CONTAINED IN THIS DRAWING IS THE SOLE PROPERTY OF C&C POWER, INC. ANY REPRODUCTION WITHOUT THE WRITTEN CONSENT OF C&C POWER, INC IS PROHIBITED.			
DIMENSIONS ARE IN INCHES		INITIALS	DATE
TOLERANCES:		DRAWN CH	12/1/2021
DECIMALS: .XX ±.13	ANGLES: ±1°	CHECKED CH	12/1/2021
SCALE: NTS	SHEET: A	REV: 2	SHEET 1 OF 2
			 Electrification Product Group EP Industrial Solutions Division Manufactured by C&C Power for ABB
© 2021 C&C POWER, INC. ALL RIGHTS RESERVED			

DPA SERIES UPS UVR POWER SUPPLY UNIT

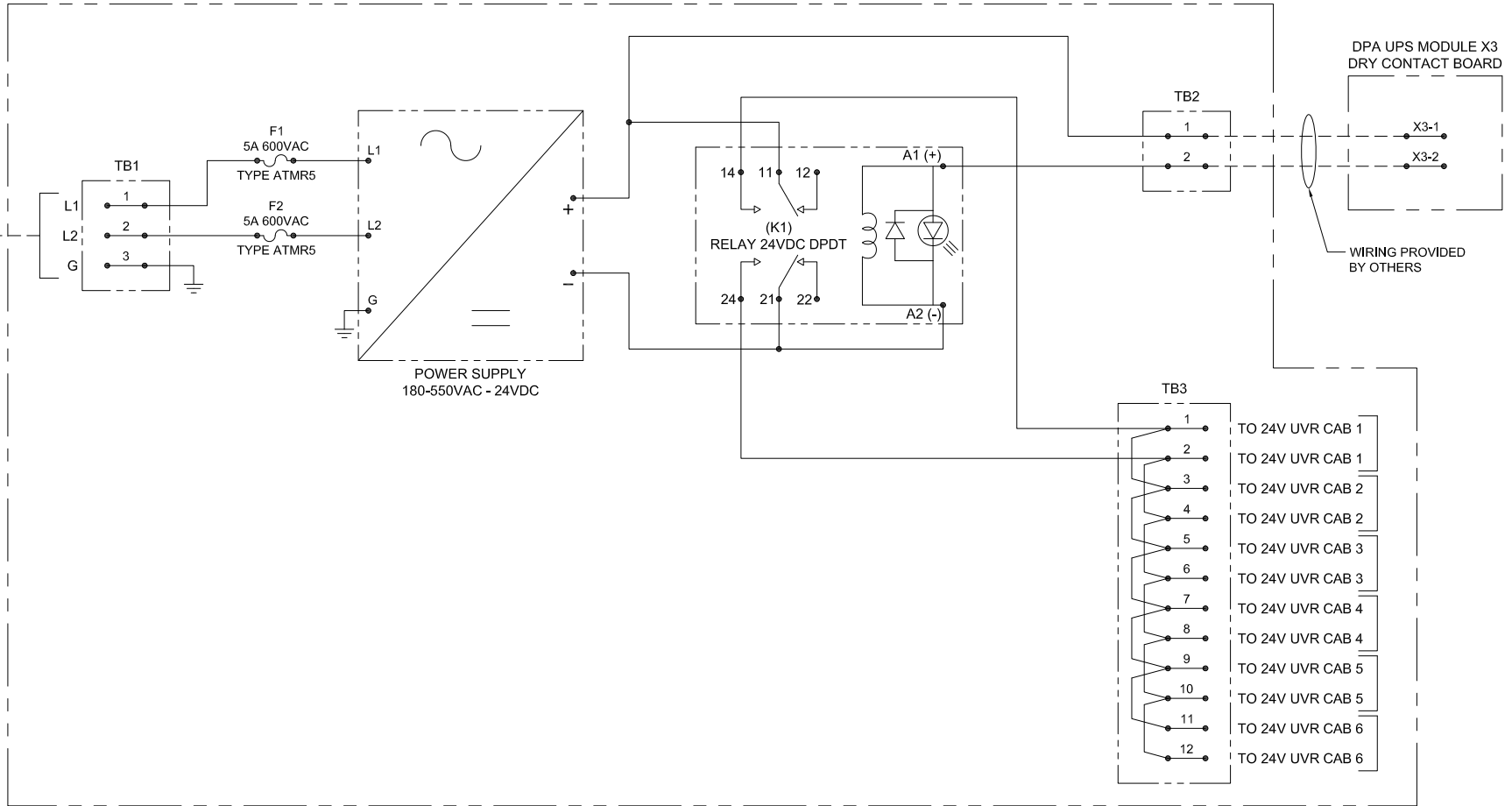
DPA MBC/MBP

208V OR 480V
PROTECTED SOURCE
FROM LOAD SIDE OF
UPS MBC/MBP

DPA MBC TB2-1 (L1)
DPA MBC TB2-2 (L2)
DPA MBC TB2-4 (G)


DPA MBP TB3-1 (L1)
DPA MBP TB3-2 (L2)
DPA MBP TB3-3 (G)

WIRING PROVIDED
BY OTHERS



- NOTES:
- TB1-TB3 TERMINAL BLOCKS ARE UL/CUL RECOGNIZED 600V RATED. WIRE RANGE IS 22-12AWG.
 - ALL COMPONENTS ARE UL/CUL LISTED OR RECOGNIZED.

95317-F480BT		
DPA SERIES UPS UVR POWER SUPPLY UNIT		
--		
THE INFORMATION CONTAINED IN THIS DRAWING IS THE SOLE PROPERTY OF C&C POWER, INC. ANY REPRODUCTION WITHOUT THE WRITTEN CONSENT OF C&C POWER, INC IS PROHIBITED.		
DIMENSIONS ARE IN INCHES	INITIALS	DATE
TOLERANCES:	DRAWN CH	12/1/2021
DECIMALS: .XX ±.13	CHECKED CH	12/1/2021
ANGLES: ±1"		
SCALE: NTS	REV: 3	SHEET 2 OF 2



Electrical Products Group
EP Industrial Solutions Division
Manufactured by C&C Power for ABB

© 2021 C&C POWER, INC. ALL RIGHTS RESERVED

DRAWING # 95317-F-SD01-2 REV 3