

# Type DEH-705

## Indoor/outdoor current transformer

### Product features

- 600 volt, 10 kV BIL, 60 Hz
- Single, dual, and multi ratios
- Approximate weight: 15 lbs (7 kg)

### Application

The DEH-705 indoor/outdoor, window-type current transformer is a 600 volt, 10 kV BIL rated unit. Primary current ratios are available from 200:5 to 4000:5 at 60 Hertz, with a rating factor of up to 2.0. This dry-type, solid-cast current transformer will operate with high accuracy for metering or relay applications.

### Mechanical description

The core and coil assembly is wound and encapsulated in a molded cast resin with a window size of 5.75". An optional primary bus bar with NEMA 4-hole pads can also be provided (3000 A max). The clamp-type post secondary terminals are ¼"-20 slotted screws with associated hardware located inside a clear polycarbonate cover. An optional weather-tight aluminum conduit box with two (2) 1" NPT conduit hubs can be provided for SCADA applications.

### Accuracy performance

The DEH-705 can provide up to 0.3 class accuracy for metering with burdens of B-0.1 up to B-1.8 and up to C50 for some relay applications (see ratings specific to each ratio). The transformer is accurate through its rating factor, and can be used continuously to this level.

### Mounting

The DEH-705 is designed for mounting in an upright, underhung, or cantilever position. Mounting holes are located in the four corners of the unit.

### Testing

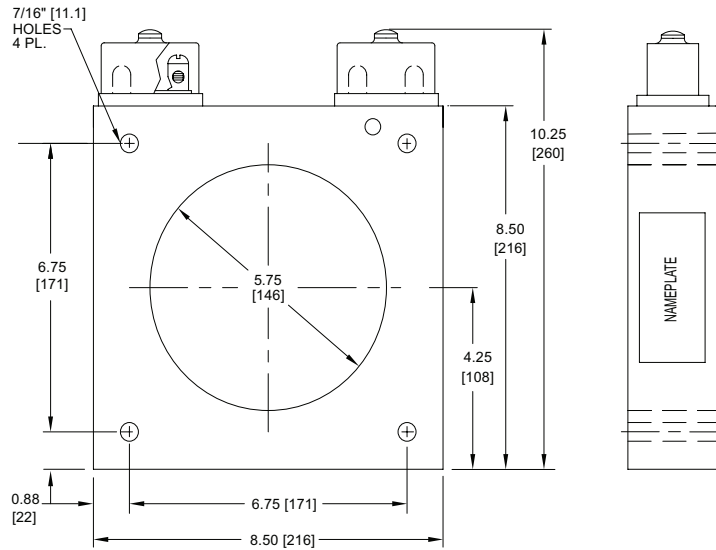
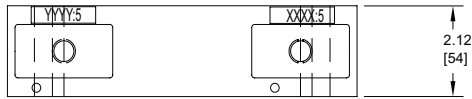
This unit can be tested to all applicable IEEE, CSA, or IEC standards as requested.

### Options

The DEH-705 is available with a primary bus bar kit, secondary terminal box, and/or mounting feet. The unit can be certified for revenue metering at certain ratio and burden levels if available and so specified on inquiries/orders. Contact factory for other needs.



## Unit dimensions



### Type DEH-705

Metric dimensions shown in [mm].

### Selection guide

Ratio	Metering accuracy	Relay accuracy	Rating factor	Style number*
200:5	0.6B-0.1	C5	2.0	A0302S08-570
300:5	0.3B-0.1	C10	2.0	A0303S08-570
400:5	0.3B-0.2	C15	2.0	A0304S08-570
500:5	0.3B-0.5	C20	2.0	A0305S08-570
600:5	0.3B-0.5	C25	2.0	A0306S08-570
800:5	0.3B-0.9	C30	2.0	A0308S08-570
1000:5	0.3B-0.9	C30	2.0	A0310S08-570
1200:5	0.3B-0.9	C40	2.0	A0312S08-570
1500:5	0.3B-1.8	C30	2.0	A0315S08-570
2000:5	0.3B-1.8	C40	2.0	A0320S08-570
2500:5	0.3B-1.8	C30	1.5	A0325S08-570
3000:5	0.3B-1.8	C40	1.5	A0330S08-570
4000:5	0.3B-1.8	C50	1.0	A0340S08-570

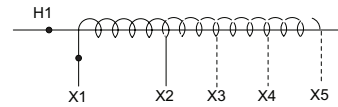
Available in dual and multi-ratio designs

One second thermal/mechanical ratings: 80 x full winding  $I_{nom}$  / unlimited mechanical.

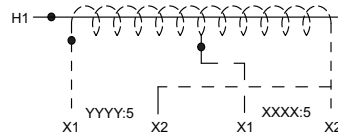
Units available with mounting feet. Change "08" of style number to "18".

\* Units can be certified for revenue metering. Change "570" of style number to "590".

Higher accuracies available in some ratings. Contact the factory.



Single and multi ratios



Dual ratio

For more information please contact:

### ABB Inc.

### Medium Voltage Distribution Components

3022 NC 43 North

Pinetops, NC 27864

USA

Phone: +1 252 827 3212

Fax: +1 252 827 4286

[www.abb.com/mediumvoltage](http://www.abb.com/mediumvoltage)

### Note:

The information contained in this document is for general information purposes only. While ABB strives to keep the information up to date and correct, it makes no representations or warranties of any kind, express or implied, about the completeness, accuracy, reliability, suitability, or availability with respect to the information, products, services, or related graphics contained in the document for any purpose. Any reliance placed on such information is therefore strictly at your own risk. ABB reserves the right to discontinue any product or service at any time.

Copyright 2012 ABB.

All rights reserved.