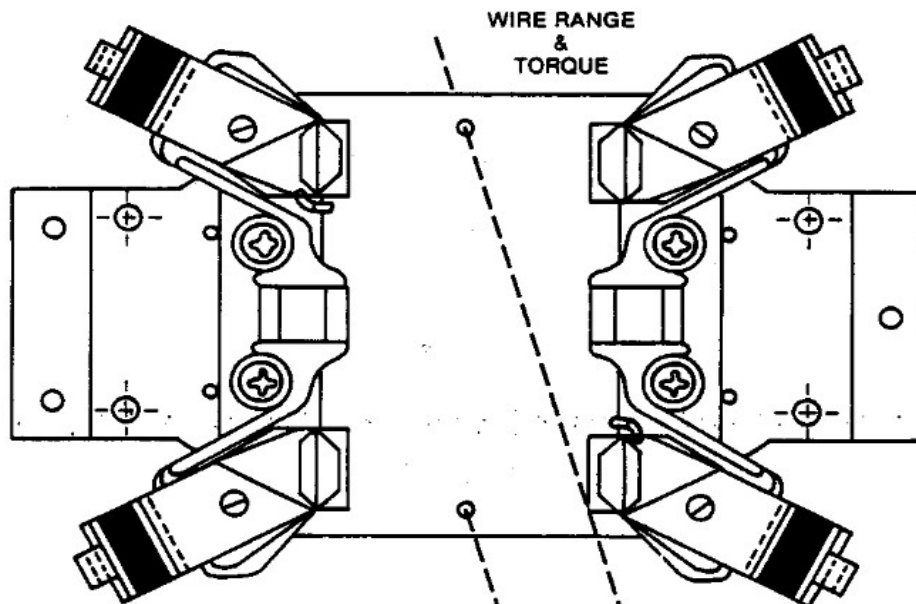
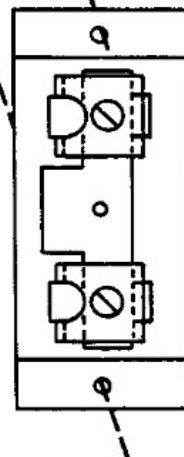


**INSTALLATION INSTRUCTIONS FOR
CAT. NO. MSBN1
100A. METER SOCKET NEUTRAL KIT.**

This bonded neutral kit is intended for use in metered service equipment or metered power outlets used as service equipment.



1. Install neutral kit as shown.
2. Apply wire range and torque label near neutral terminal in a visible location.
3. Install a neutral jumper conductor from load side of meter socket neutral to line side of enclosure neutral. (Ensure conductor size coincides with connector wire range/enclosure ampacity requirements.)



Midwest® Electric Products, Inc.
P.O. Box 910
Mankato, MN 56002-0910